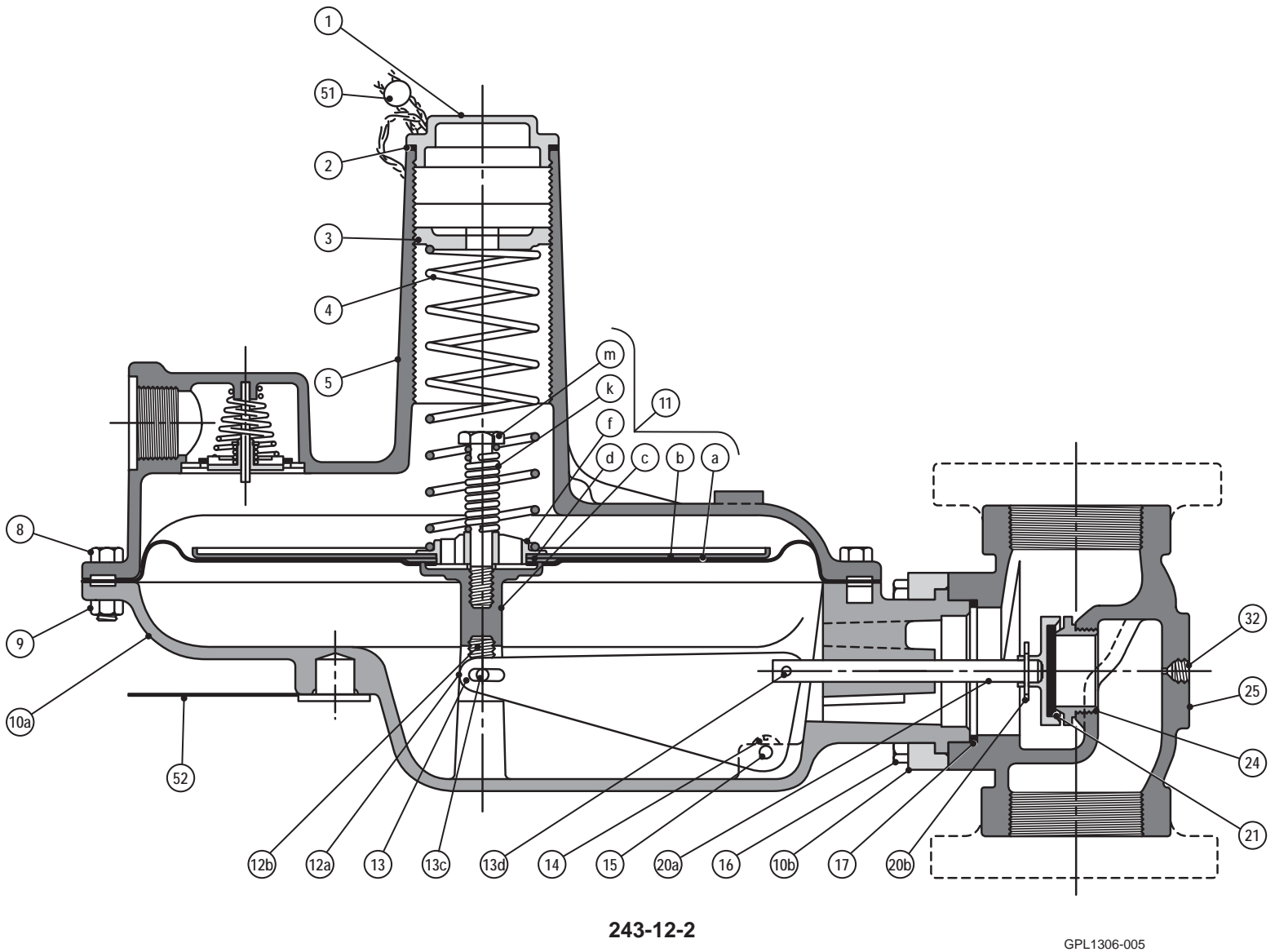
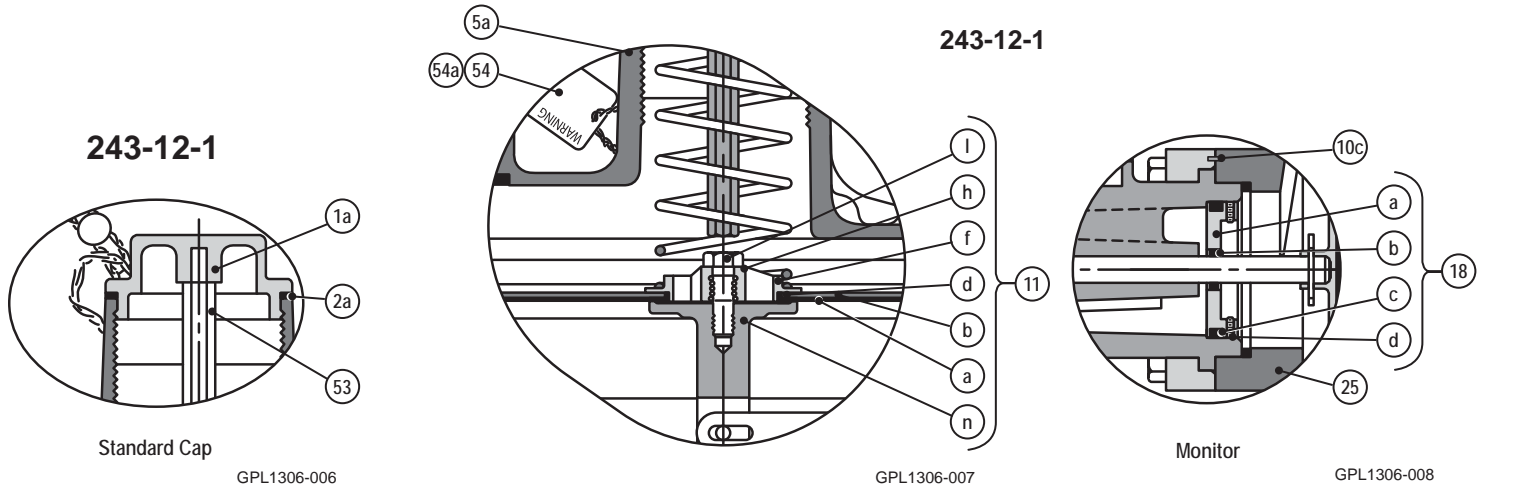




Parts List

243 Service Regulators

Models 243-12-2 and 243-12-1



Models 243-12-2 and 243-12-1

Illustration Number	Description	Part Number
1	Seal Cap (IRV)	143-16-005-00
1a	Seal Cap (Std)	143-16-005-08
2	O-Ring #2-140	951357
2a	O-Ring #2-142	951367
3	Adjustment Spring Button	143-16-009-00
4	Spring, 3½" to 6½" w.c., Red	143-16-021-03
	Spring, 5" to 8½" w.c., Blue	143-16-021-04
	Spring, 6" to 14" w.c., Green	143-16-021-05
	Spring, 10" to 18" w.c., Orange-Black	143-16-021-11
	Spring, 12" to 28" w.c., Orange	143-16-021-06
4	Spring, 1 to 2 psi, Black	143-16-021-07
	Spring, 1½ to 3 psi, Cadmium	143-16-021-08
	Upper Diaphragm Case Assembly (IRV)	143-16-503-03
5a	Upper Diaphragm Case Assembly (Std)	143-16-503-19
8	Screw, ⅝"-18 x 1" Hex Hd. Stl.	910030
9	Nut, ⅝"-18 Hex Hd. Stl.	920052
10	<i>Lower Diaphragm Case Assembly</i>	
	10a Lower Diaphragm Case, Std.	143-16-002-00
	Lower Diaphragm Case, Monitor	143-16-002-01
	10b Clamping Plate	143-16-102-00
	10c Roll Pin, ⅛" x ⅝"	904103
11a	Diaphragm	143-16-150-00
	Diaphragm (Viton)	143-16-150-02
11b	Diaphragm Pan	143-16-017-00
11c	Diaphragm Coupling (IRV)	143-16-028-00
11d	Seal Washer	143-16-115-00
11f	Spring Guide	143-16-018-00
11h	Diaphragm Spacer	143-16-079-00
11k	Spring - IRV, 9" Release	143-16-021-02
11l	Screw, ⅝"-18 x 1" Hex Hd. Stl.	910030
11m	Relief Valve Guide	143-16-153-00
11n	Diaphragm Coupling (Std.)	143-16-028-01
12a	Diaphragm Coupling Stop	143-16-040-00
12b	Screw, ⅜" Rd. Hd. Self Tap	903160
13	Lever ¼"	143-16-030-00
13c	Roll Pin - Lever Weight	901699
13d	Roll Pin - Valve Stem	904104
14	Screw, ¼" x ⅝" Rd. Hd. Self Tap	950353
15	Fulcrum Pin	143-16-032-00
16	Cap Screw, ⅜"-16 x 1¼" Hex Hd. Stl.	910056
17	Tetraseal, Lower Case to Body	904075
18	<i>Seal Disc Assembly - Monitor</i>	
	18a Seal Disc, CRS cad. plated	143-16-008-00
	18b Inner O-Ring	934007
	18c Outer O-Ring	905809
	18d Set Screw, #6, 32 x ¼" Hex Soc. Cup Pt.	903197

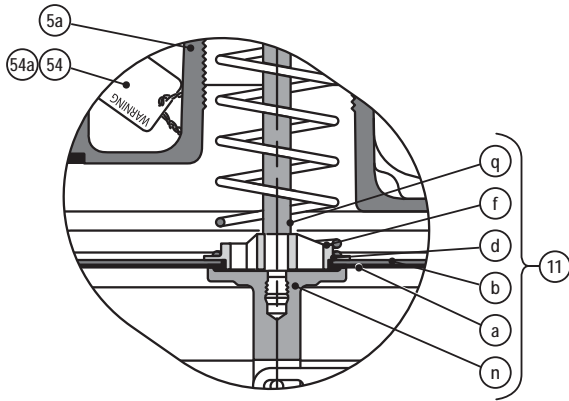
Illustration Number	Description	Part Number	
18	<i>Seal Disc Assembly - Monitor for Corrosive Service</i>		
	18a Seal Disc, CRS cad. plated	143-16-008-00	
	18b Inner O-Ring, Viton	902418	
	18c Outer O-Ring, Viton	904842	
20a	18d Set Screw, #6, 32 x ¼" Hex Soc. Cut Pt.	903197	
	Stem	143-16-016-00	
20b	Stem, for Corrosive Service	143-16-016-01	
	Hair Pin Cotter	143-62-118-00	
21	Valve, 10°, Buna-N	143-16-511-09	
	Valve, 30°, Buna-N	143-16-511-10	
	Valve, 10°, Viton	143-16-511-11	
	Valve, 30°, Viton	143-16-511-12	
24	Orifice, ¼"	143-16-023-10	
	Orifice, ⅜"	143-16-023-04	
	Orifice, ½"	143-16-023-00	
	Orifice, ¾"	143-16-023-01	
	Orifice, 1"	143-16-023-02	
	Orifice, 1¼"	143-16-023-03	
	Orifice, ¼", Stainless Steel	143-16-023-15	
	Orifice, ⅜", Stainless Steel	143-16-023-16	
	Orifice, ½", Stainless Steel	143-16-023-17	
	Orifice, ¾", Stainless Steel	143-16-023-12	
	Orifice, 1", Stainless Steel	143-16-023-13	
	Orifice, 1¼", Stainless Steel	143-16-023-14	
	25	Body, 1½" NPT - Std.	143-14-001-00
		Body, 1½" NPT - ¼" Inlet Tap	143-14-001-02
Body, 2" NPT - Std.		143-16-001-00	
Body, 2" NPT - ¼" Inlet Tap		143-16-001-04	
Body, 2" Flanged - Std.		143-16-001-03	
32	Body, 2" Flanged - ¼" Inlet Tap	143-16-001-05	
51	¼" Soc. Hd. Stl. Pipe Plug	904364	
52	Seal and Wire	001-61-057-07	
53	Instruction Tag (Monitor)	138-18-136-00	
54	Travel Stop Stem	143-16-060-02	
54a	Warning Tag - Travel Stop	143-16-136-05	
55a	Warning Tag - Body Interchangeability	143-16-136-06	
55b	* Exhaust Spring	143-16-021-00	
55c	* Valve Seal (Washer)	143-16-024-00	
55d	* Stem Guide	143-16-012-00	
55e	* Retaining Ring	904013	
55e	* Valve Assembly	143-16-526-01	

*See page 4 for item illustration

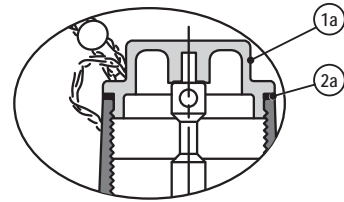
NOTE: The term "standard" refers to non-IRV configurations.

Models 243-12-6 and 243-12-4

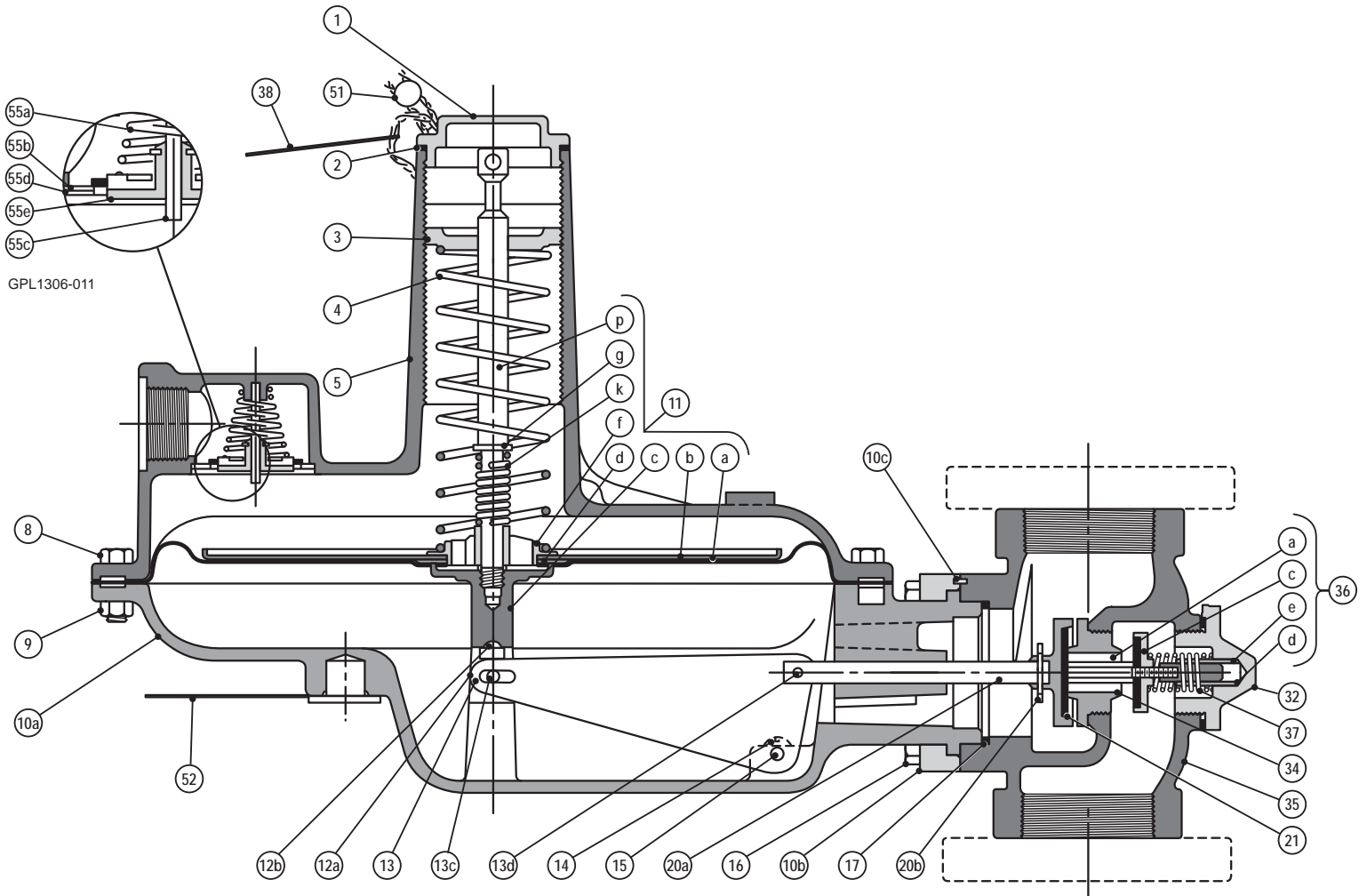
243-12-4



GPL1306-012



GPL1306-013



GPL1306-011

243-12-6

GPL1306-010

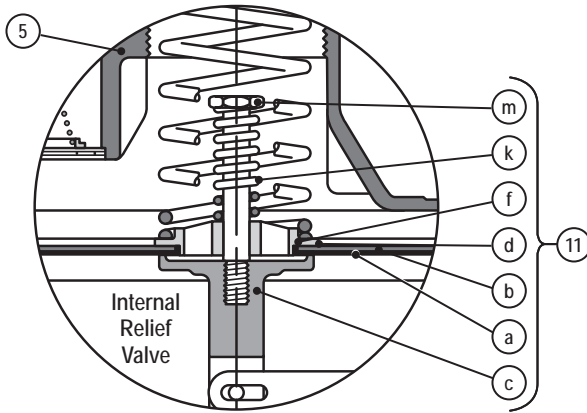
Models 243-12-6 and 243-12-4

Illustration Number	Description	Part Number
1	Seal Cap (IRV)	143-16-005-00
1a	Seal Cap (Std.)	143-16-005-08
2	O-Ring #2-140	951357
2a	O-Ring #2-142	951367
3	Adjustment Spring Button	143-16-009-00
4	Spring, 3½" to 6½" w.c., Red	143-16-021-03
	Spring, 5" to 8½" w.c., Blue	143-16-021-04
	Spring, 6" to 14" w.c., Green	143-16-021-05
	Spring, 12" to 28" w.c., Orange	143-16-021-06
5	Upper Diaphragm Case Assembly (IRV)	143-16-503-03
5a	Upper Diaphragm Case Assembly (Std.)	143-16-503-19
8	Screw, ⅝"-18 x 1" Hex Hd. Stl.	910030
9	Nut, ⅝"-18 Hex Hd. Stl.	920052
	<i>Lower Diaphragm Case Assembly</i>	
10	10a Lower Diaphragm Case, Std.	143-16-002-00
	Lower Diaphragm Case, Monitor	143-16-002-01
	10b Clamping Plate	143-16-102-00
	10c Roll Pin, ⅛" x ⅜"	904103
11a	Diaphragm	143-16-150-00
	Diaphragm (Viton)	143-16-150-02
11b	Diaphragm Pan	143-16-017-00
11c	Diaphragm Coupling (IRV)	143-16-028-00
11d	Seal Washer	143-16-115-00
11f	Spring Guide	143-16-018-00
11g	Washer	1190408
11k	Spring - IRV, 9" Release	143-16-021-02
11n	Diaphragm Coupling (Std.)	143-16-028-01
11p	Diaphragm Stem (IRV)	143-16-058-00
11q	Diaphragm Stem (Std.)	143-16-058-01
12a	Diaphragm Coupling Stop	143-16-040-00
12b	Screw, ¼"-14 x ⅜" Hex Washer Hd.	951040
13	Lever ¼"	143-16-030-00
13c	Roll Pin - Lever Weight	901699
13d	Roll Pin - Valve Stem	904104
14	Screw, ¼" x ⅜" Rd. Hd. Self Tap	950353
15	Fulcrum Pin	143-16-032-00

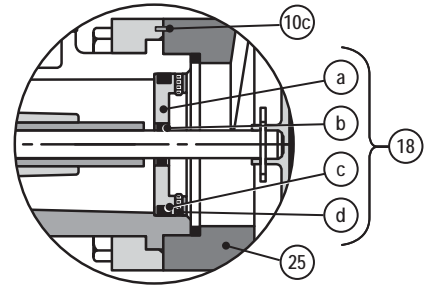
Illustration Number	Description	Part Number
16	Cap Screw, ⅜"-16 x 1¼" Hex Hd. Stl.	910056
17	Tetraseal, Lower Case to Body	904075
20a	Stem	143-16-016-00
	Stem, for Corrosive Service	143-16-016-01
20b	Hair Pin Cotter	143-62-118-00
21	Valve, 10°, Buna-N	143-16-511-09
	Valve, 30°, Buna-N	143-16-511-10
	Valve, 10°, Viton	143-16-511-11
	Valve, 30°, Viton	143-16-511-12
32	Cut-off Body Cap Assembly	143-16-304-00
	Cut-off Body Cap Assembly, for Corrosive Service	143-16-304-01
34	Orifice, ½"	143-16-023-05
	Orifice, ¾"	143-16-023-06
	Orifice, 1"	143-16-023-07
35	Orifice, ½", Stainless Steel	143-16-023-19
	Orifice, ¾", Stainless Steel	143-16-023-20
	Orifice, 1", Stainless Steel	143-16-023-21
	Body, 1½" NPT-LPCO	143-14-001-01
	Body, 2" NPT-LPCO	143-16-001-02
36	Body, 2" Flanged, LPCO	143-16-001-06
	<i>Cut-off Valve and Stem Assembly</i>	143-16-516-00
	36a Cut-off Stem	143-16-116-00
	36c Cut-off Valve	143-16-311-00
	36d Cut-off Valve Gasket	143-16-047-00
36e Cut-off Valve Guide	143-16-012-01	
37	Cut-off Valve Spring	143-16-021-09
38	Instruction Tag	143-16-136-03
51	Seal and Wire	001-61-057-07
52	Instruction Tag (Monitor)	138-18-136-00
54	Warning Tag	143-16-136-05
54a	Warning Tag - Body Interchangeability	143-16-136-06
55a	Exhaust Spring	143-16-021-00
55b	Valve Seat (Washer)	143-16-024-00
55c	Stem Guide	143-16-012-00
55d	Retaining Ring	904013
55e	Valve Assembly	143-16-526-01

Models 243-8-1 and 243-8-2

243-8-2

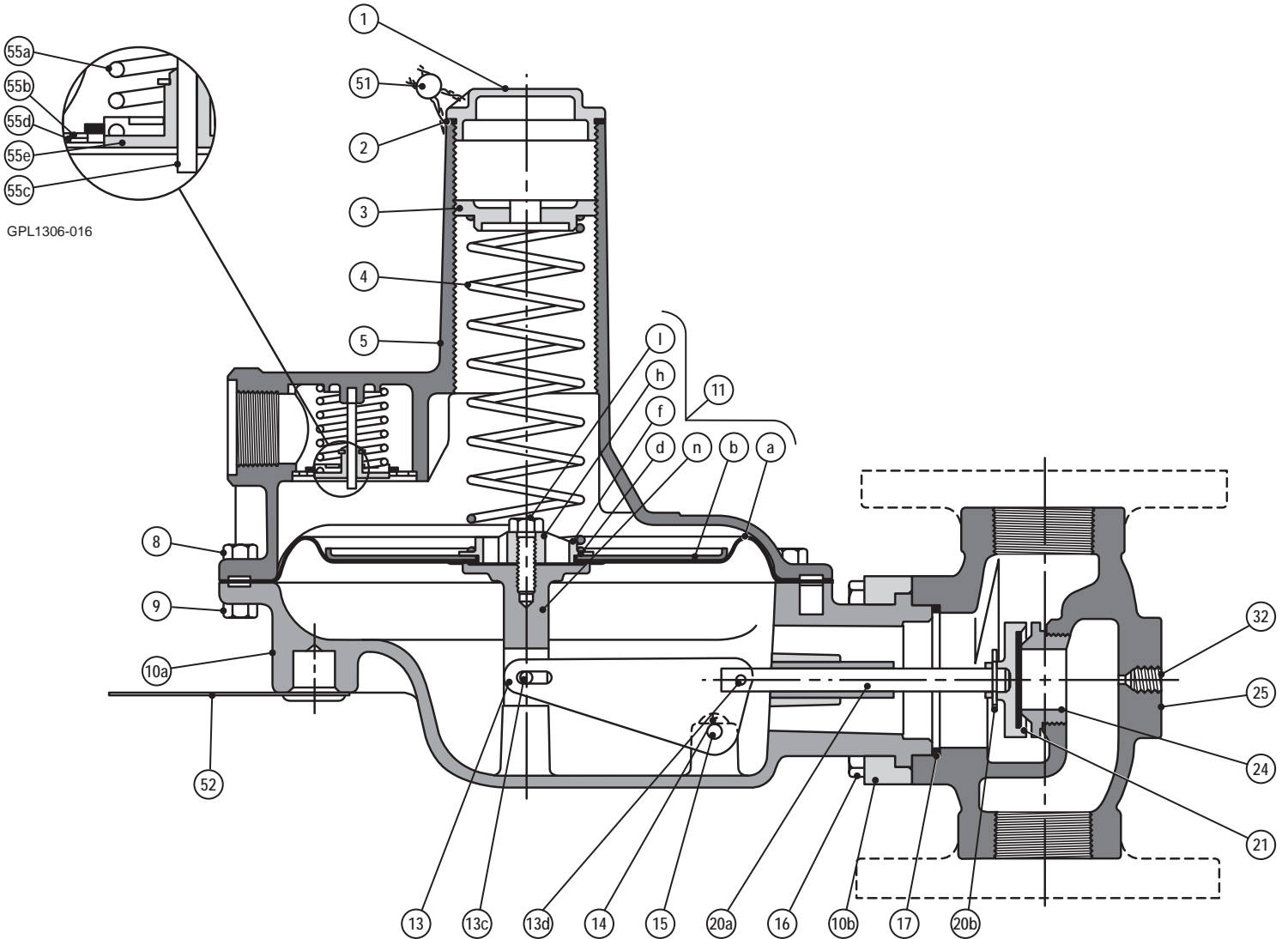


GPL1306-017



Monitor

GPL1306-018



GPL1306-016

GPL1306-015

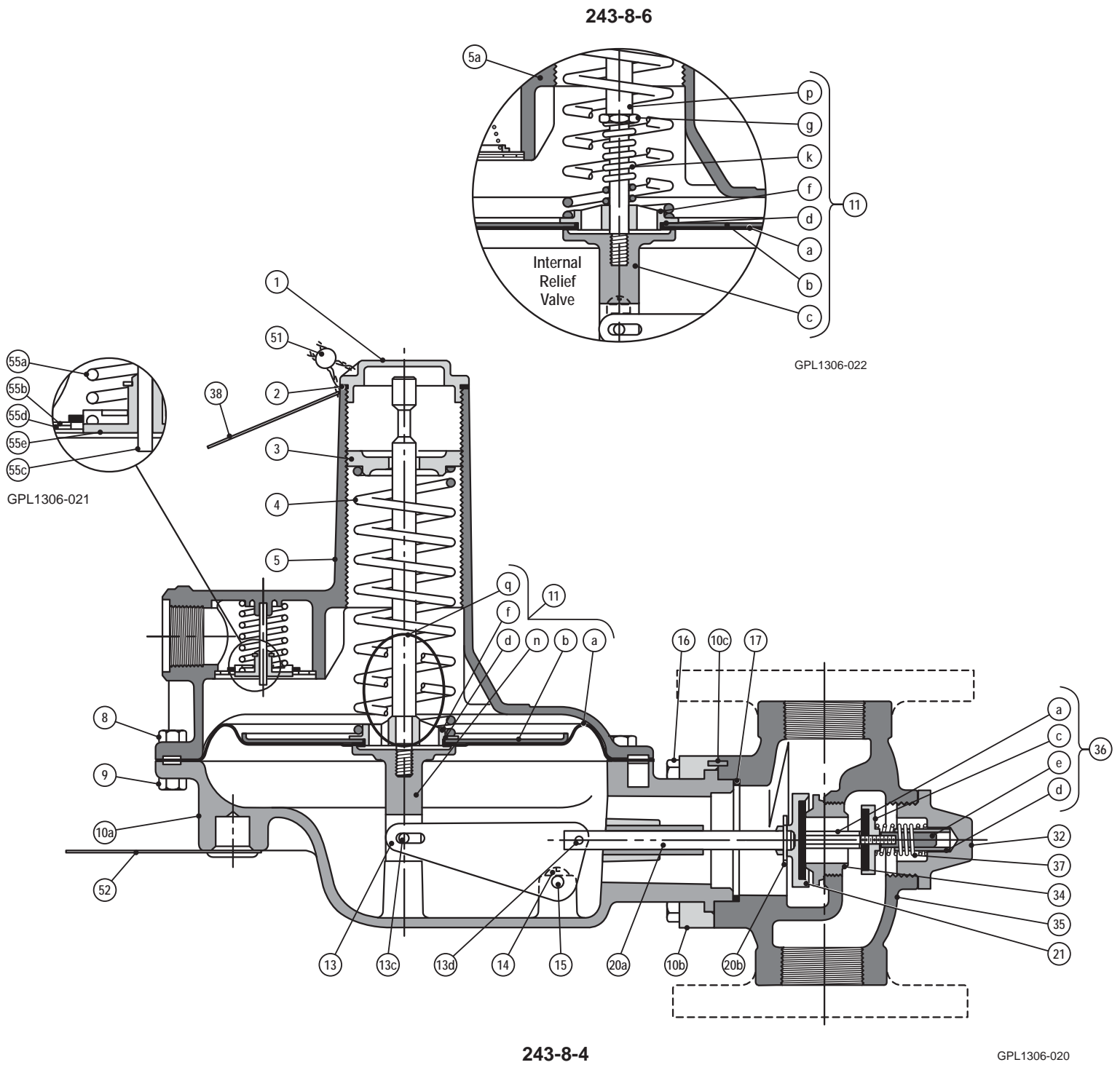
243-8-1

Models 243-8-1 and 243-8-2

Illustration Number	Description	Part Number
1	Seal Cap	143-16-005-00
2	Tetraseal - Seal Cap, 2¼" x 2¾"	905241
3	Adjustment Spring Button	143-16-009-00
4	Spring, 3½" to 6½" w.c., Red-Black	143-82-021-00
	Spring, 5" to 8½" w.c., Blue-Black	143-82-021-01
	Spring, 6" to 14" w.c., Green-Black	143-82-021-02
	Spring, 12" to 28" w.c., Green	143-16-021-05
	Spring, 1 to 2 psi, Orange	143-16-021-06
	Spring, 2 to 4¼ psi, Black	143-16-021-07
5	Upper Diaphragm Case Assembly	143-82-503-04
	8	Screw, ⅝"-18 x 1" Hex Hd. Stl.
9	Nut, ⅝"-18 Hex Hd. Stl.	920052
10	<i>Lower Diaphragm Case Assembly</i>	
	10a Lower Diaphragm Case, Std.	143-82-002-00
	Lower Diaphragm Case, Monitor	143-82-002-01
	10b Clamping Plate	143-16-102-00
	10c Roll Pin, ⅜" x ⅝"	904103
11a	Diaphragm	143-82-150-00
	Diaphragm (Viton)	143-82-150-01
11b	Diaphragm Pan	143-82-017-00
11c	Diaphragm Coupling (IRV)	143-16-028-00
11d	Seal Washer	143-16-115-00
11f	Spring Guide	143-16-018-00
11g	Washer	1190408
11k	Spring - IRV, 9" Release	143-82-021-03
	Spring- IRV, 20" Release	143-16-021-02
11n	Diaphragm Coupling (Std.)	143-16-028-01
11p	Diaphragm Stem	143-16-058-00
11q	Diaphragm Stem (Std.)	143-16-058-01
12a	Diaphragm Coupling Stop	143-16-040-00
12b	Screw, ¼"-14 x ⅜" Hex Washer Hd.	950140
13	Lever	143-82-030-00
13c	Roll Pin - Lever Weight, ⅜" Dia. x 1⅝" lg.	901699
13d	Roll Pin - Valve Stem, ⅜" Dia. x ⅞" lg.	904104
14	Screw, ¼" x ⅝" Rd. Hd. Self Tap	950353
15	Fulcrum Pin	143-16-032-00
16	Cap Screw, ⅝"-16 x 1¼" Hex Hd. Stl.	910056
17	Tetraseal, Lower Case to Body	904075
18	<i>Seal Disc Assembly - Monitor</i>	
	18a Seal Disc, CRS cad. plated	143-16-008-00
	18b Inner O-Ring	934007
	18c Outer O-Ring	905809
	18d Set Screw, #6-32 x ¼" Hex Soc. Cup Pt.	903197

Illustration Number	Description	Part Number
18	<i>Seal Disc Assembly - Monitor for Corrosive Service</i>	
	18a Seal Disc, CRS cad. plated	143-16-008-00
	18b Inner O-Ring, Viton	902418
	18c Outer O-Ring, Viton	904842
20a	18d Set Screw, #6-32 x ¼" Hex Soc. Cut Pt.	903197
	Stem	143-16-016-00
20b	Stem, for Corrosive Service	143-16-016-01
	Hair Pin Cotter	143-62-118-00
21	Valve, 10°, Buna-N	143-16-511-09
	Valve, 30°, Buna-N	143-16-511-10
	Valve, 10°, Viton	143-16-511-11
	Valve, 30°, Viton	143-16-511-12
24	Orifice, ¼"	143-16-023-10
	Orifice, ⅜"	143-16-023-04
	Orifice, ½"	143-16-023-00
	Orifice, ¾"	143-16-023-01
	Orifice, 1"	143-16-023-02
	Orifice, ¼", Stainless Steel	143-16-023-15
	Orifice, ⅜", Stainless Steel	143-16-023-16
	Orifice, ½", Stainless Steel	143-16-023-17
	Orifice, ¾", Stainless Steel	143-16-023-12
	Orifice, 1", Stainless Steel	143-16-023-13
25	Body, 1¼" NPT - Std.	143-12-001-00
	Body, 1¼" NPT - ¼" Inlet Tap	143-12-001-02
	Body, 1½" NPT - Std.	143-14-001-00
	Body, 1½" NPT - ¼" Inlet Tap	143-14-001-02
	Body, 2" NPT - Std.	143-16-001-00
	Body, 2" NPT, ¼" Inlet Tap	143-16-001-04
	Body, 2" Flanged, Std.	143-16-001-03
Body, 2" Flanged, ¼" Inlet Tap	143-16-001-05	
32	¼" Soc. Hd. Stl. Pipe Plug	904364
51	Seal and Wire	001-61-057-07
52	Instruction Tag (Monitor)	138-18-136-00
55a	Exhaust Spring	086-10-021-02
55b	Valve Seat (Washer)	143-16-024-00
55c	Stem Guide	143-16-012-00
55d	Retaining Ring	904013
55e	Valve Assembly	143-16-526-01

Models 243-8-4 and 243-8-6

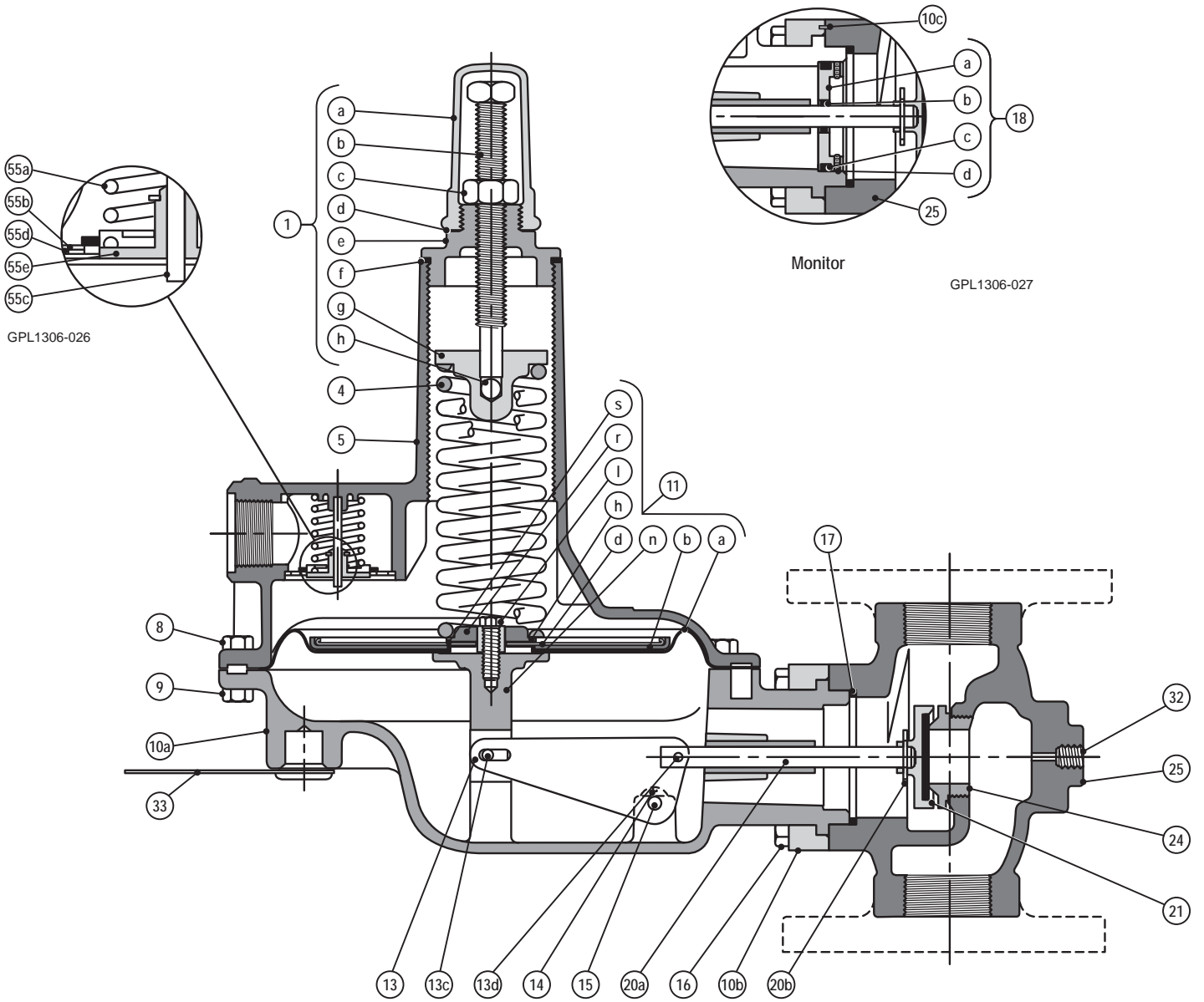


Models 243-8-4 and 243-8-6

Illustration Number	Description	Part Number
1	Seal Cap	143-16-005-08
2	Tetraseal - Seal Cap, 2¼" x 2¾"	905241
3	Adjustment Spring Button	143-16-009-00
4	Spring, 3½" to 6½" w.c., Red-Black	143-82-021-00
	Spring, 5" to 8½" w.c., Blue-Black	143-82-021-01
	Spring, 6" to 14" w.c., Green-Black	143-82-021-02
	Spring, 12" to 28" w.c., Green	143-16-021-05
	Spring, 1 to 2 psi, Orange	143-16-021-06
	Spring, 2 to 4½ psi, Black	143-16-021-07
5	Upper Diaphragm Case Assembly	143-82-503-04
8	Screw, ⅝"-18 x 1" Hex Hd. Stl.	910030
9	Nut, ⅝"-18 Hex Hd. Stl.	920052
10	<i>Lower Diaphragm Case Assembly</i>	
	10a Lower Diaphragm Case, Std.	143-82-002-00
	Lower Diaphragm Case, Monitor	143-82-002-01
	10b Clamping Plate	143-16-102-00
	10c Roll Pin, ⅛" x ⅜"	904103
11a	Diaphragm	143-82-150-00
	Diaphragm (Viton)	143-82-150-01
11b	Diaphragm Pan	143-82-017-00
11c	Diaphragm Coupling (IRV)	143-16-028-00
11d	Seal Washer	143-16-115-00
11f	Spring Guide	143-16-018-00
11h	Diaphragm Spacer	143-16-079-00
11i	Screw, ⅝"-18 x 1" Hex Hd. Stl.	910030
11k	Spring - IRV, 9" Release	143-82-021-03
	Spring - IRV, 20" Release	143-16-021-02
11m	Relief Valve Guide	143-16-153-00
11n	Diaphragm Coupling (Std.)	143-16-028-01
13	Lever	143-82-030-00
13c	Roll Pin - Lever Weight, ⅜" x 1⅛" lg.	901699
13d	Roll Pin - Valve Stem, ⅝" x ⅞" lg.	904104
14	Screw, ¼" x ⅝" Rd. Hd. Self Tap	950353

Illustration Number	Description	Part Number
15	Fulcrum Pin	143-16-032-00
16	Cap Screw, ⅝"-16 x 1¼" Hex Hd. Stl.	910056
17	Tetraseal, Lower Case to Body	904075
20a	Stem	143-16-016-00
	Stem, for Corrosive Service	143-16-016-01
20b	Hair Pin Cotter	143-62-118-00
21	Valve, 10°, Buna-N	143-16-511-09
	Valve, 30°, Buna-N	143-16-511-10
	Valve, 10°, Viton	143-16-511-11
	Valve, 30°, Viton	143-16-511-12
32	Cut-off Body Cap Assembly	143-16-304-00
	Cut-off Body Cap Assembly for Corrosive Service	143-16-304-01
34	Orifice, ½"	143-16-023-05
	Orifice, ¾"	143-16-023-06
	Orifice, 1"	143-16-023-07
	Orifice, ½", Stainless Steel	143-16-023-19
	Orifice, ¾", Stainless Steel	143-16-023-20
	Orifice, 1", Stainless Steel	143-16-023-21
35	Body, 1¼" NPT-LPCO	143-12-001-01
	Body, 1½" NPT-LPCO	143-14-001-01
36	<i>Cut-off Valve and Stem Assembly</i>	<i>143-16-516-00</i>
	36a Cut-off Stem	143-16-116-00
	36c Cut-off Valve	143-16-311-00
	36d Cut-off Valve Gasket	143-16-047-00
	36e Cut-off Valve Guide	143-16-012-01
37	Cut-off Valve Spring	143-16-021-09
38	Instruction Tag	143-16-136-03
51	Seal and Wire	001-61-057-07
52	Instruction Tag (Monitor)	138-18-136-00
55a	Exhaust Spring	086-10-021-02
55b	Valve Seat (Washer)	143-16-024-00
55c	Stem Guide	143-16-012-00
55d	Retaining Ring	904013
55e	Valve Assembly	143-16-526-015

Models 243-8HP



GPL1306-026

Monitor
GPL1306-027

GPL1306-025

Model 243-8HP

Illustration Number	Description	Part Number
<i>Seal Cap and Spring Adjustment Assembly</i>		
1	1a Seal Cap	121-10-005-52
	1b Adjustment Screw	906537
	1c Nut	921005
	1d Tetraseal, Seal Cap, 1½" x 1½"	906534
	1e Top Cap	121-10-005-51
	1f Tetraseal, Top Cap, 2¼" x 2¾"	905241
	1g Spring Button	121-10-009-51
	1h 3/8" Dia. Stainless Steel Ball	930510
4	Spring, 3 to 6½ psi, Cadmium (Outer)	143-16-021-08
	Spring, White	143-16-021-13
5	Upper Diaphragm Case Assembly	143-82-503-12
8	Screw, ⅝"-18 x 1" Hex Hd. Stl.	910030
9	Nuts, ⅝"-18 Hex Hd. Stl.	908152
<i>Lower Diaphragm Case Assembly</i>		
10	10a Lower Diaphragm Case, Std.	143-82-002-00
	Lower Diaphragm Case, Monitor	143-82-002-01
	10b Clamping Plate	143-16-102-00
	Roll Pin, ⅛" x ⅝"	904103
11a	Diaphragm	121-10-150-50
	Diaphragm (Viton)	121-10-150-52
11b	Diaphragm Pan	121-10-017-50
11c	Diaphragm Coupling (Std.)	143-16-028-01
11d	Emery Cloth Washer	143-82-178-00
11h	Diaphragm Spacer	143-82-079-00
11i	Screw, ⅝"-18 x 1" Hex Hd. Stl.	910030
11r	Bottom Spring Button	121-10-022-53
11s	Diaphragm Plate	121-10-022-52
13	Lever	143-82-030-00
13c	Roll Pin - Lever Weight, ⅜" x ¼" lg.	904106
13d	Roll Pin - Valve Stem, ⅝" x ⅞" lg.	904104
14	Screw, ¼" x ⅝" Rd. Hd. Self Tap	950353
15	Fulcrum Pin	143-16-032-00
16	Cap Screw, ⅜"-16 x 1¼" Hex Hd. Stl.	901551
17	Tetraseal, Lower Case to Body	904075
<i>Seal Disc Assembly - Monitor 143-16-508-00</i>		
18	18a Seal Disc, CRS cad. plated	143-16-008-00
	18b Inner O-Ring	934007
	18c Outer O-Ring	905809
	18d Set Screw, #6-32 x ¼" Hex Soc. Cup Pt.	903197

Illustration Number	Description	Part Number	
<i>Seal Disc Assembly - Monitor for Corrosive Service 143-16-508-01</i>			
18	18a Seal Disc, CRS cad. plated	143-16-008-00	
	18b Inner O-Ring, Viton	902418	
	18c Outer O-Ring, Viton	904842	
	18d Set Screw, #6-32 x ¼" Hex Soc. Cut Pt.	903197	
20a	Stem	143-16-016-00	
	Stem, for Corrosive Service	143-16-016-01	
20b	Hair Pin Cotter	143-16-118-00	
21	Valve, 10°, Buna-N	143-16-511-09	
	Valve, 30°, Buna-N	143-16-511-10	
	Valve, 10°, Viton	143-16-511-11	
	Valve, 30°, Viton	143-16-511-12	
24	Orifice, ¼"	143-16-023-10	
	Orifice, (.203)	143-16-023-11	
	Orifice, ⅜"	143-16-023-04	
	Orifice, ½"	143-16-023-00	
	Orifice, ¾"	143-16-023-01	
	Orifice, 1"	143-16-023-02	
	Orifice, ¼", Stainless Steel	143-16-023-15	
	Orifice, (.203), Stainless Steel	143-16-023-18	
	Orifice, ⅜", Stainless Steel	143-16-023-16	
	Orifice, ½", Stainless Steel	143-16-023-17	
	Orifice, ¾", Stainless Steel	143-16-023-12	
	Orifice, 1", Stainless Steel	143-16-023-13	
	25	Body, 1¼" NPT - Std.	143-13-001-00
		Body, 1¼" NPT - ¼" Inlet Tap	143-13-001-02
Body, 1¼" NPT Inlet - 1½" NPT Outlet		143-13-001-00	
Body, 1½" NPT - Std.		143-14-001-00	
Body, 1½" NPT - ¼" Inlet Tap		143-14-001-02	
Body, 2" NPT - Std.		143-16-001-00	
Body, 2" NPT - ¼" Inlet Tap		143-16-001-04	
Body, 2" Flanged - Std.		143-16-001-03	
Body, 2" Flanged, ¼" Inlet Tap	143-16-001-05		
32	¼" Soc. Hd. Stl. Pipe Plug	904364	
33	Instruction Tag (Monitor)	138-18-136-00	
55a	Exhaust Spring	086-10-021-02	
55b	Valve Seat (Washer)	143-16-024-00	
55c	Stem Guide	143-16-012-00	
55d	Retaining Ring	904013	
55e	Valve Assembly	143-16-526-01	



Authorized Distributor:

All products purchased and services performed are subject to Sensus' terms of sale, available at either <http://na.sensus.com/TC/TermsConditions.pdf> or 1-800-METER-IT. Sensus reserves the right to modify these terms and conditions in its own discretion without notice to the customer.

This document is for informational purposes only, and SENSUS MAKES NO EXPRESS WARRANTIES IN THIS DOCUMENT. FURTHERMORE, THERE ARE NO IMPLIED WARRANTIES, INCLUDING WITHOUT LIMITATION, WARRANTIES AS TO FITNESS FOR A PARTICULAR PURPOSE AND MERCHANTABILITY. ANY USE OF THE PRODUCTS THAT IS NOT SPECIFICALLY PERMITTED HEREIN IS PROHIBITED. © 2013 Sensus.