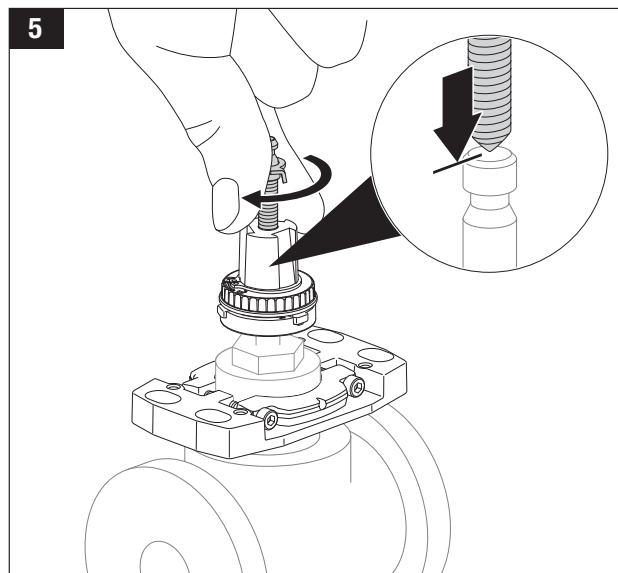
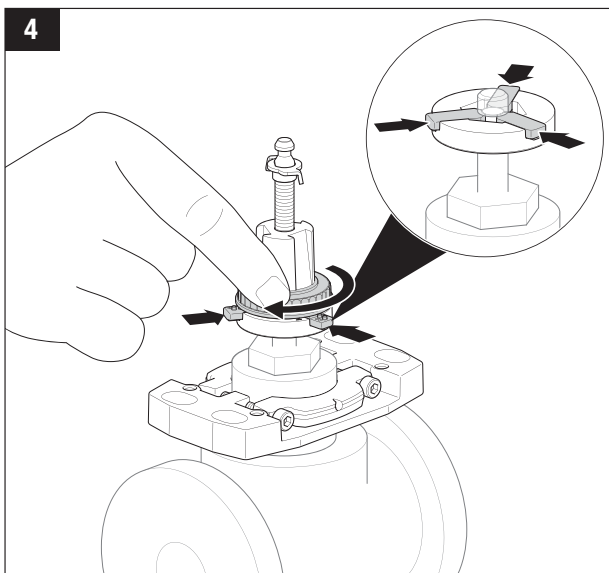
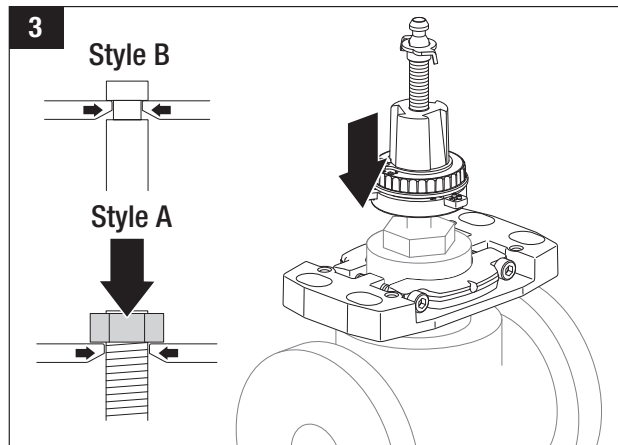
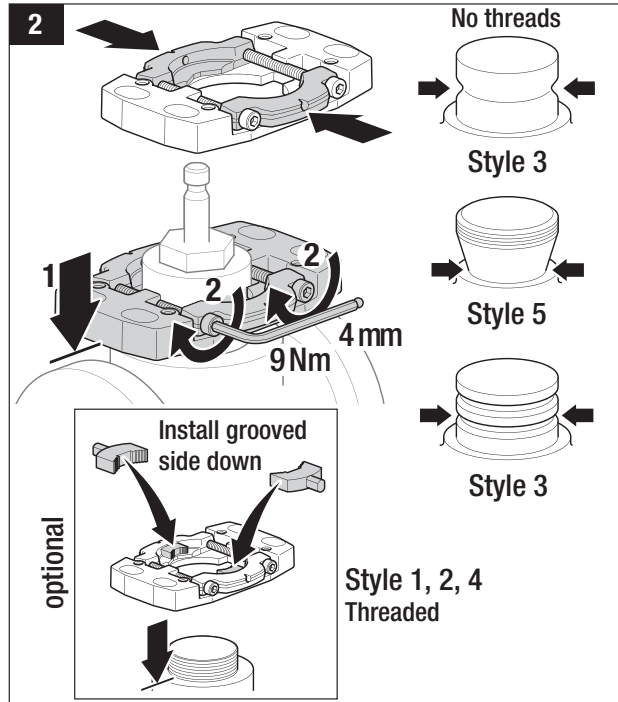
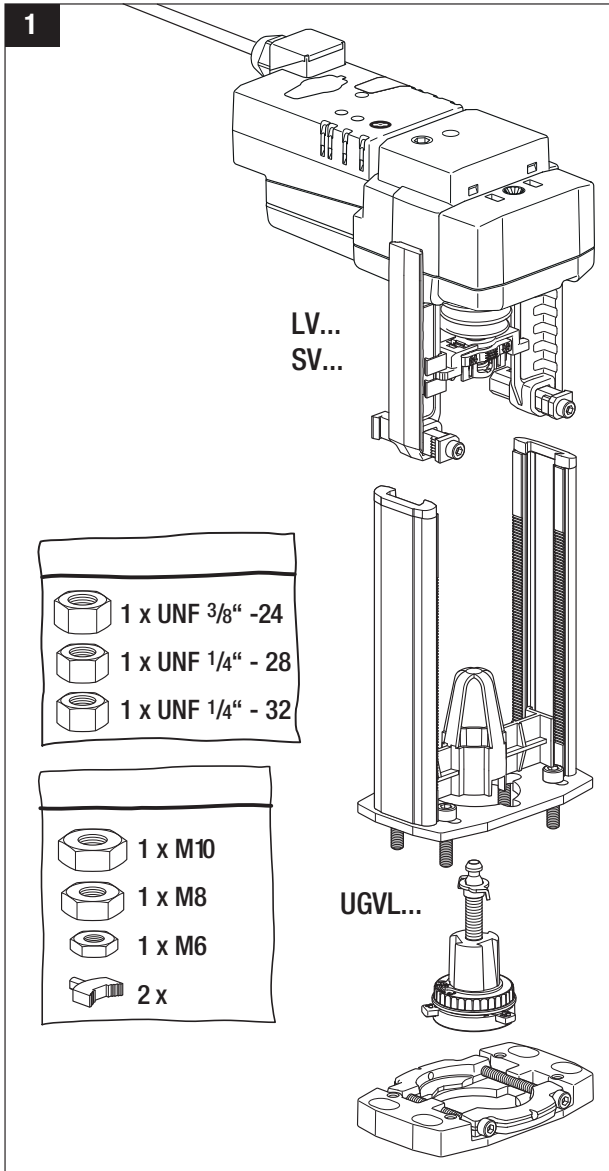
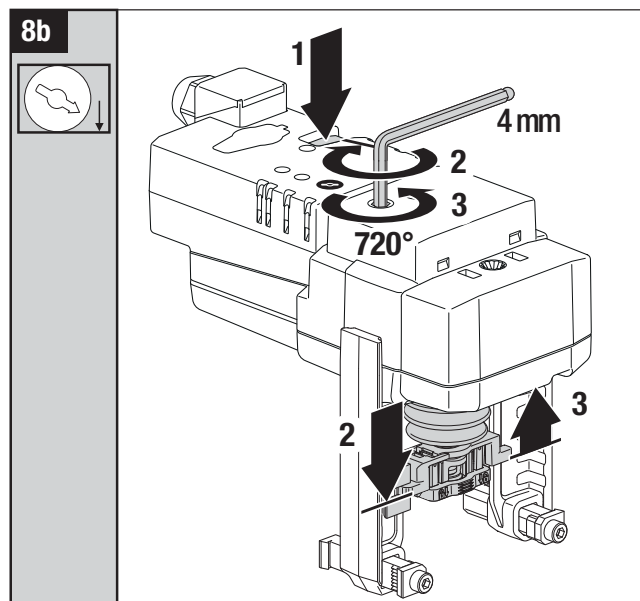
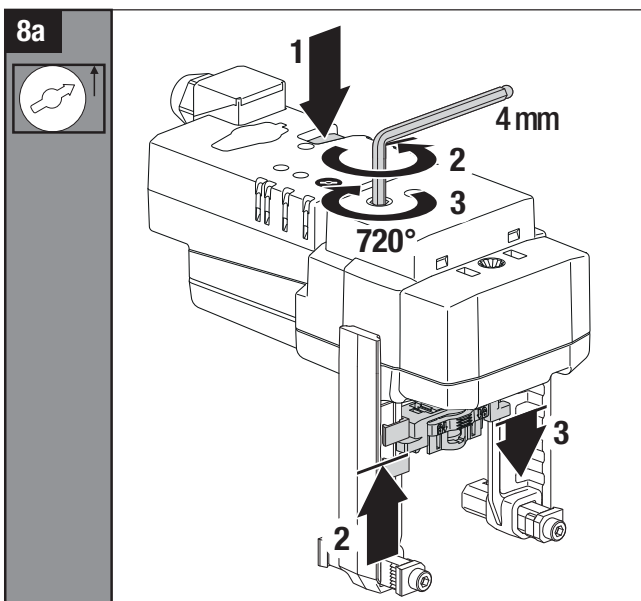
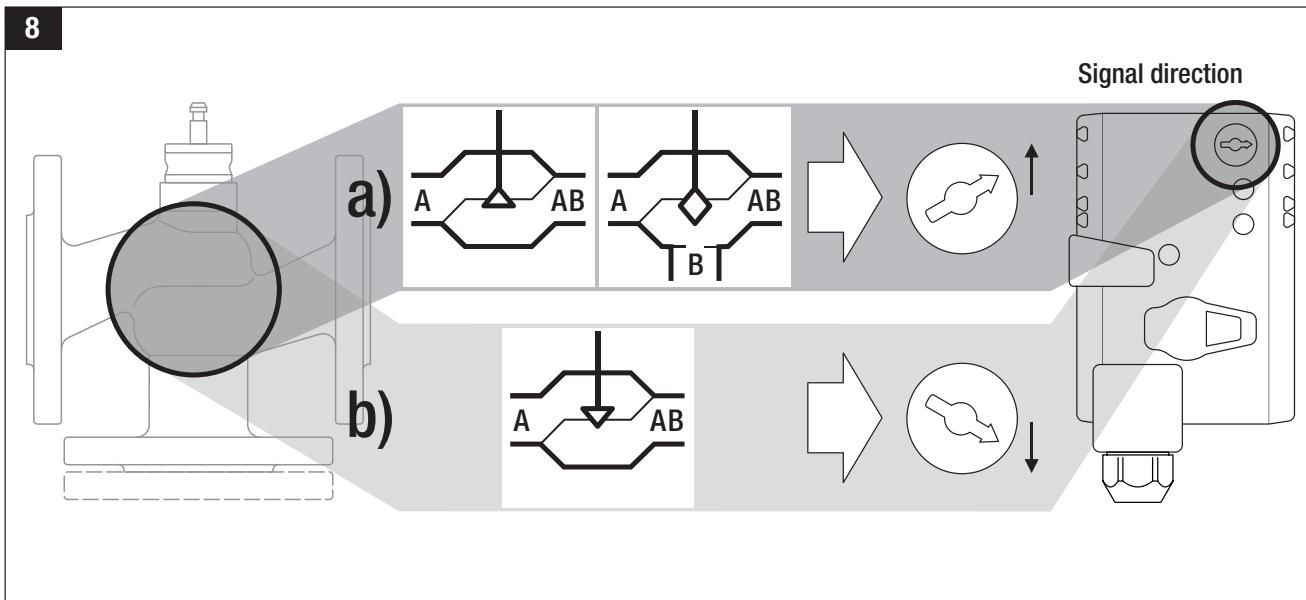
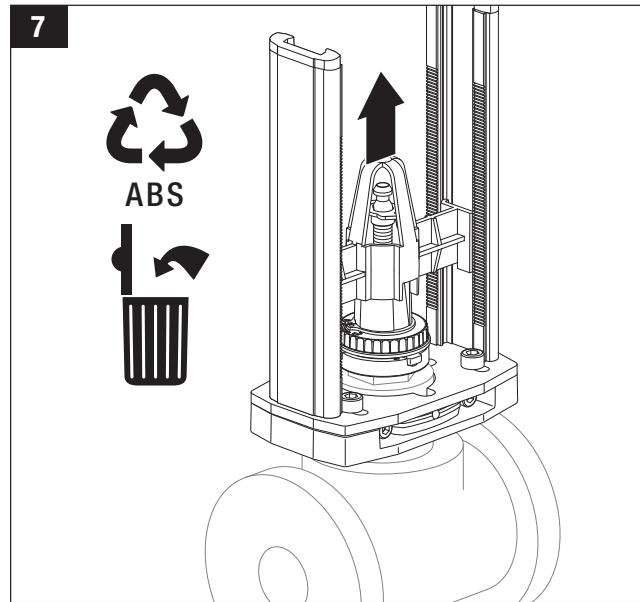
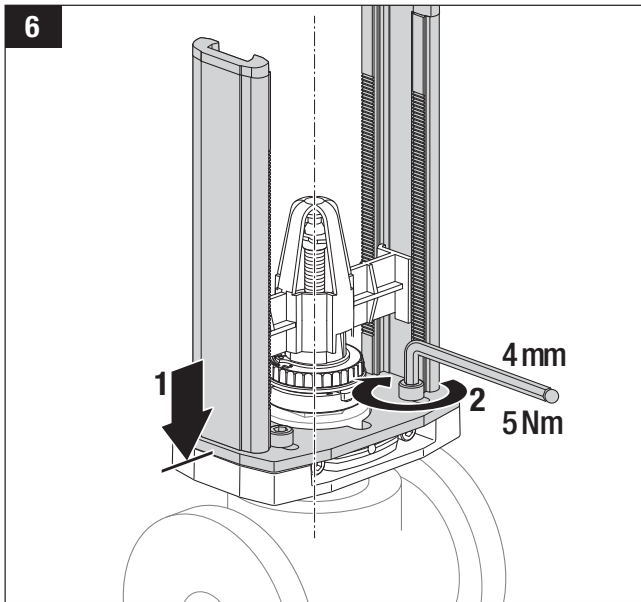


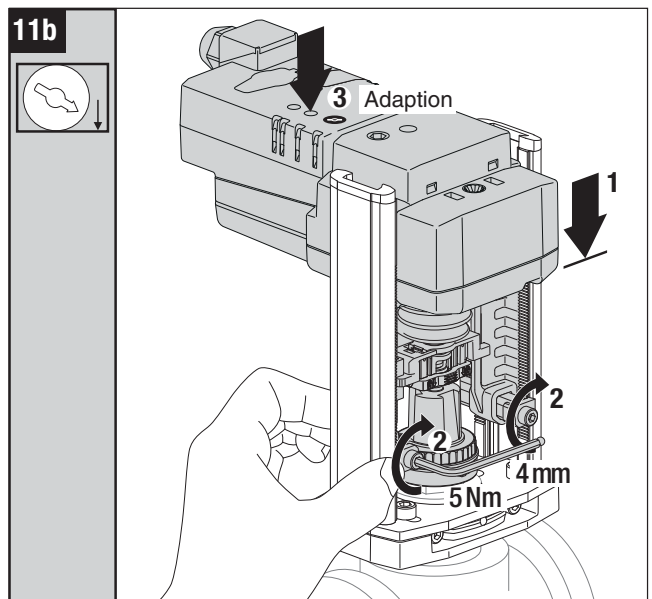
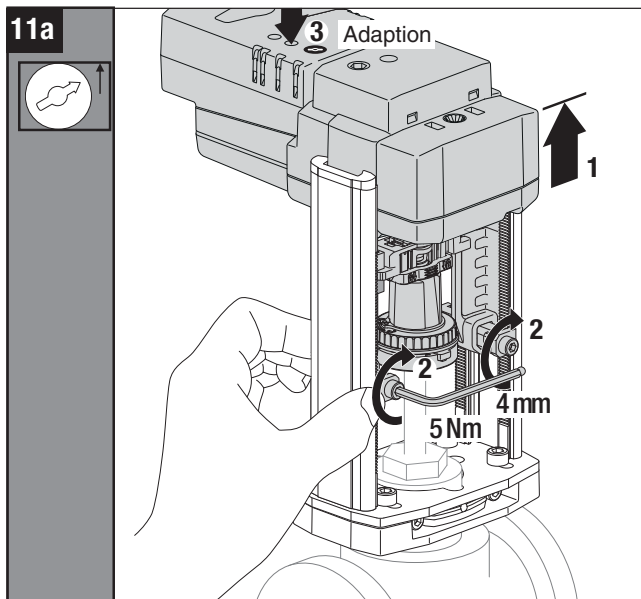
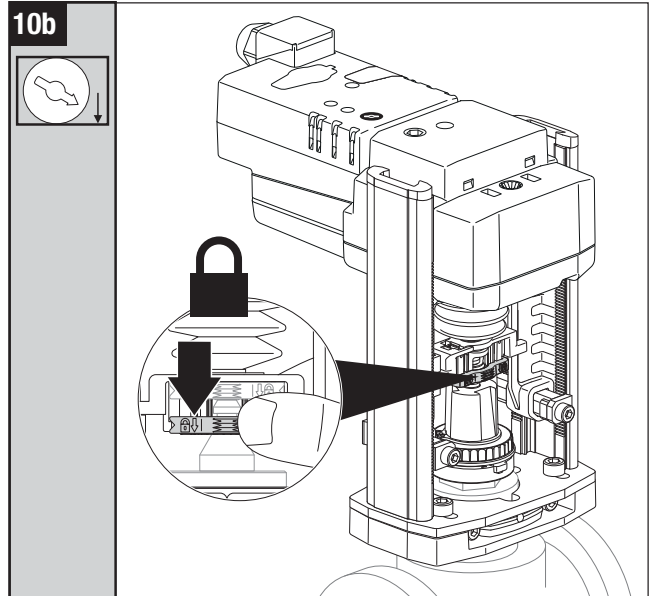
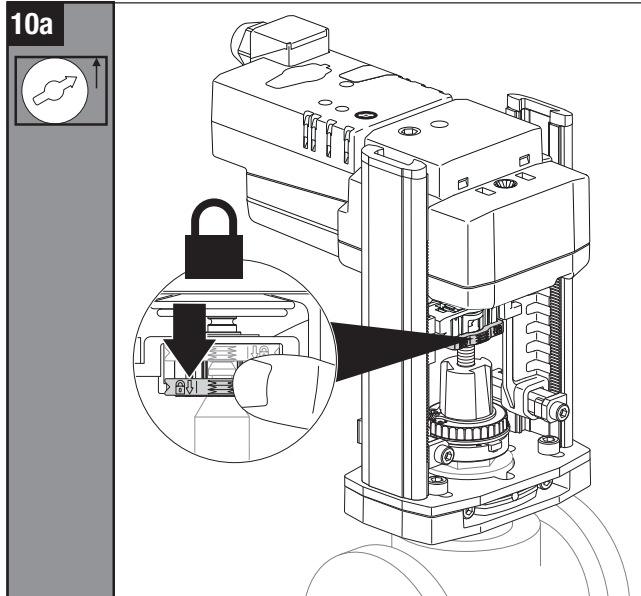
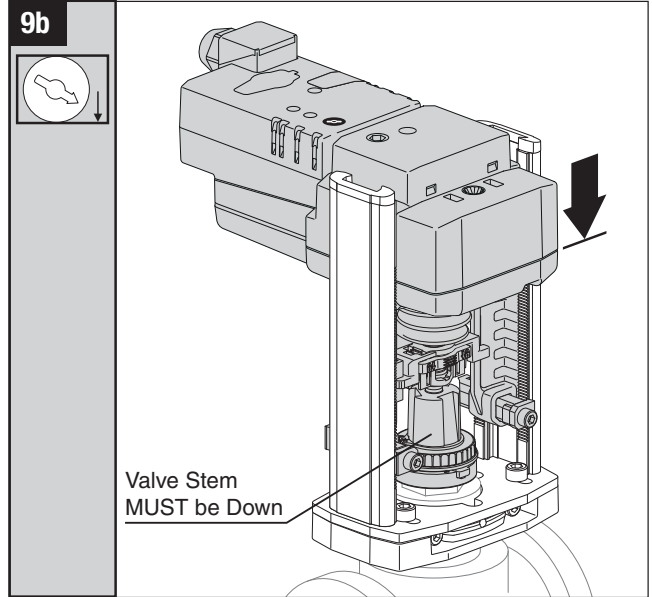
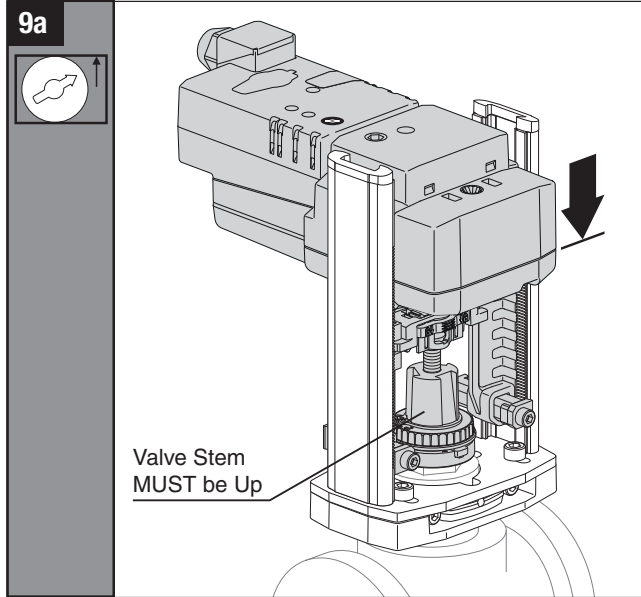
UGVL Linkage with LV and SV Series Actuators



UGVL Linkage with LV and SV Series Actuators



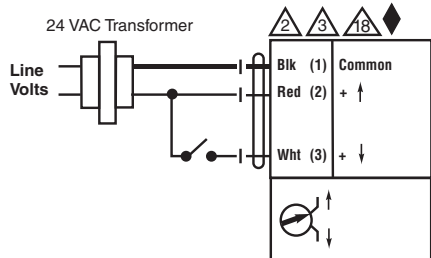
UGVL Linkage with LV and SV Series Actuators



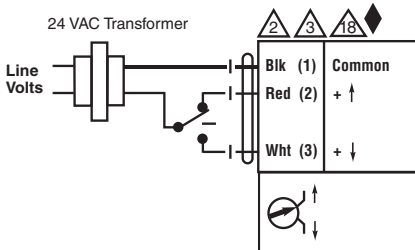
UGVL Linkage with LV and SV Series Actuators

WIRING DIAGRAMS

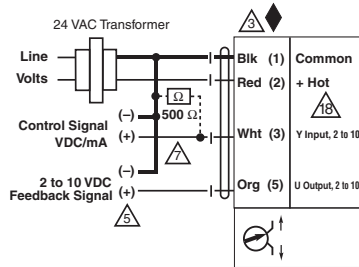
Non-Spring Return Actuator with -3 and -SR



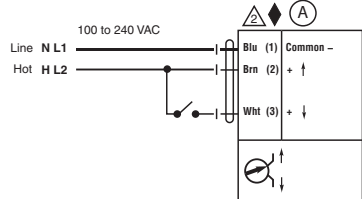
On/Off



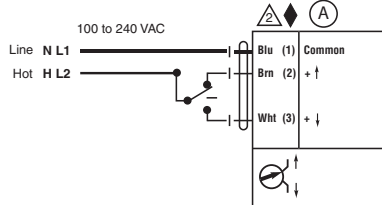
Floating Point



VDC / 4 to 20 mA



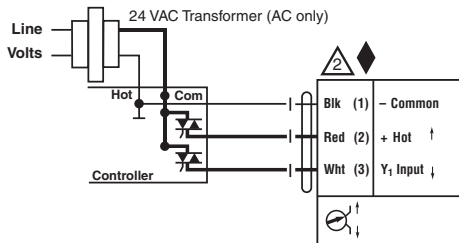
On/Off



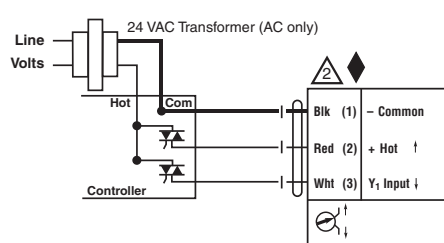
Floating Point



Selector Switch

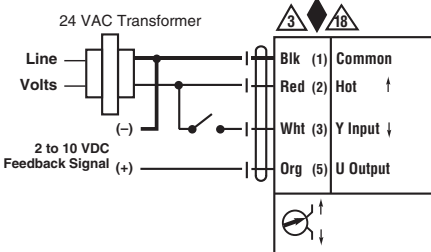


Triac Sink

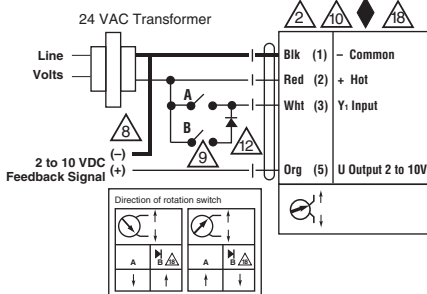


Triac Source

Non-Spring Return Actuator with MFT



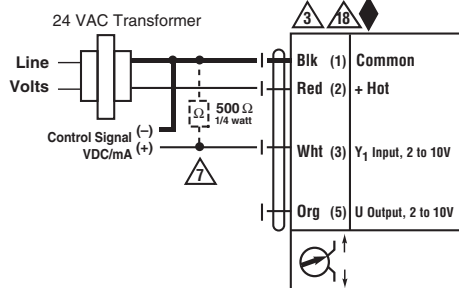
On/Off



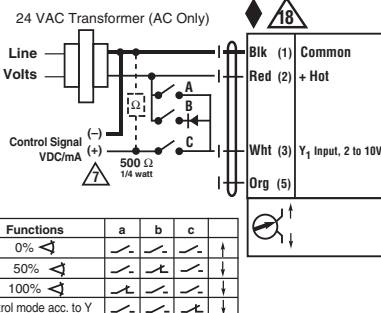
Floating Point

Notes:

- ◆ Meets cULUS requirements without the need of an electrical ground connection
- Ⓐ Actuators with appliance cables are numbered.
- Ⓐ Actuators may be connected in parallel. Power consumption and input impedance must be observed.
- Ⓐ Actuators may also be powered by 24 VDC.
- Ⓐ Only connect common to neg. (-) leg of control circuits.
- Ⓐ A 500 Ω resistor converts the 4 to 20 mA control signal to 2 to 10 VDC.
- Ⓐ Control signal may be pulsed from either the Hot (Source) or Common (Sink) 24 VAC line.
- Ⓐ Contact closures A & B also can be triacs. A & B should both be closed for the triac source and open for triac sink.
- Ⓐ For triac sink the Common connection from the actuator must be connected to the Hot connection of the controller. Position feedback cannot be used with a triac sink controller. The actuator internal common reference is not compatible.
- Ⓐ IN4004 or IN4007 diode. (IN4007 supplied, Belimo Part number 40155)
- Ⓐ Actuators with plenum rated cable do not have numbers on wires; use color codes instead.



VDC / 4 to 20 mA



Override Control Min, Mid, Max Postions

* Default selectable 0-100%. See Configuration Data Sheet.
** Customizable. See Configuration Data Sheet.

BRN
Brown
Marron
Brun
Marrom

BLU
Blue
Azul
Bleu
Azul

ORG
Orange
Anaranjado
Orange
Alaranjado

PNK
Pink
Rosado
Rosa
Cor-de-ros

WHT
White
Blanco
Bianco
Bianco

RED
Red
Rojo
Rouge
Vermelho

BLK
Black
Negro
Noir
Preto