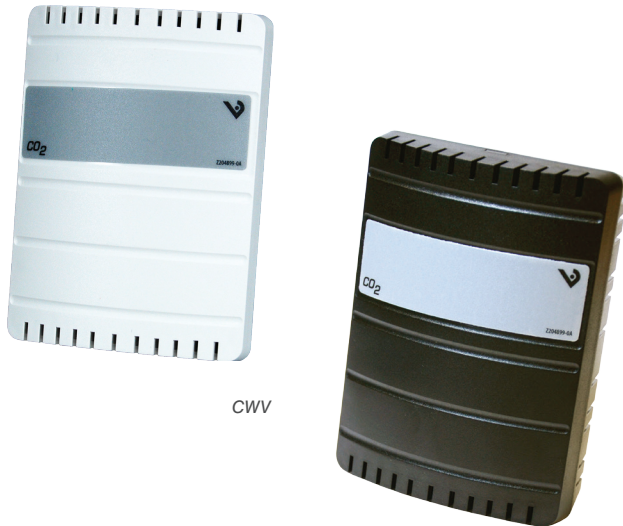




CWV Series



CWV

SPECIFICATIONS

Input Voltage	Class 2; 20 to 30 Vdc, 24 Vac 50/60 Hz
Analog Output #1	4 to 20 mA (clipped & capped) or 0 to 3 Vdc/ 0 to 5 Vdc/0 to 10 Vdc (jumper selectable)
Analog Output #2	4 to 20 mA (clipped & capped) or 0 to 3 Vdc/ 0 to 5 Vdc/0 to 10 Vdc (jumper selectable)
Sensor Current Draw	200 mA Maximum
Operating Humidity Range	0 to 95% RH non-condensing
Operating Temp Range	0 to 50 °C (32 to 122 °F)
Housing Material	High impact ABS plastic
Terminal Block Torque	0.4 to 0.5 N-m (3.6 to 4.4 in-lbf) max.
Terminal Block Wire Size	24 to 14 AWG (0.2 to 2.5 mm ²)
Relay Contacts	1 A@30 Vdc, resistive; 30 W max.

CO₂ TRANSMITTER

Sensor Type	Non-dispersive infrared (NDIR), diffusion sampling
Measurement Range	0 to 2000 ppm
Accuracy	±40 ppm ±5.5% of measured value
Repeatability	±30 ppm ±4.5% of measured value
Response Time	<60 seconds for 90% step change

WARRANTY

Limited Warranty	1 year
------------------	--------

EMC Conformance: Low voltage directive 2006/95/EC & EMC directive 2004/108/EC.
EMC Special Note: Connect this product to a DC distribution network or an AC/DC power adaptor with proper surge protection (EN 61000-6-1:2007 specification requirements).

DUAL ANALOG OUTPUTS, SWITCHABLE 0 TO 3/5/10 VDC/4 TO 20 mA OUTPUT

DESCRIPTION

The CWV Series is a non-dispersive infrared sensor designed for measuring CO₂ concentration in office and living spaces. Its 2000 ppm measurement range makes it an ideal solution for meeting ASHRAE and other ventilation control standards.

The CWV Series features multiple output options, microprocessor-based digital technology, and a unique self-calibration algorithm which improves long-term stability and accuracy.

APPLICATIONS

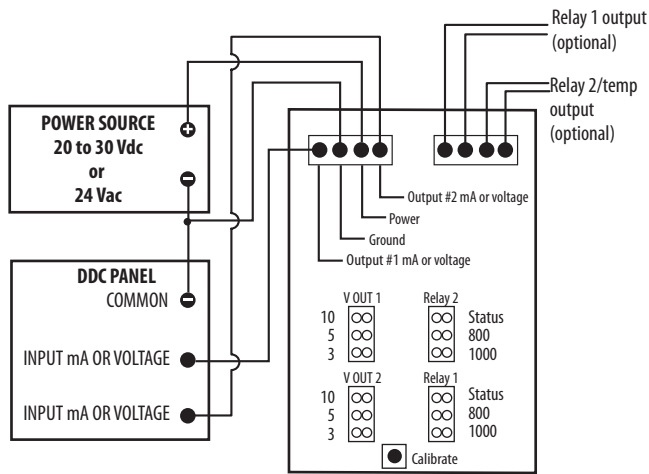
- Controlling HVAC in response to occupancy
- Improving tenant comfort
- Schools, museums, airports, commercial buildings, etc.
- OEM applications
- Home automation
- Big-box retail
- Restaurants
- C-Stores
- Bid/spec market

FEATURES

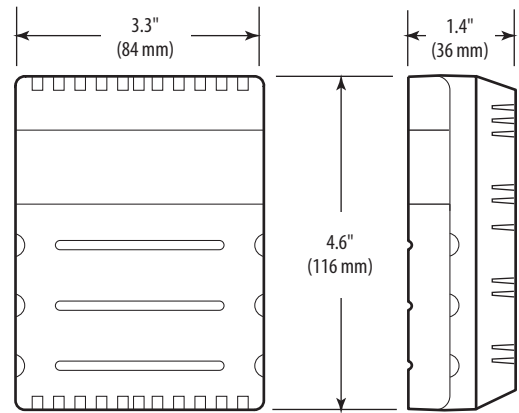
- Microprocessor-based design reduces long-term drift and calibration requirements
- Non-dispersive infrared technology (NDIR) repeatable to ±30 ppm ±4.5% of measured value...high accuracy
- Innovative self-calibration algorithm...easy to maintain
- 5-year calibration interval (recommended)
- Low ambient sensitivity
- Improve comfort and facilitate compliance with ASHRAE 62.1 standard for air quality
- Demand control ventilation provides reduction in energy costs...helps with green branding initiatives
- Dual analog outputs...added user convenience
- LED indication for power and error detection...reduces time spent troubleshooting
- Switchable 0 to 3/5/10 V output...increased flexibility
- US & European mounting holes...installation flexibility
- Field calibratable...reduce costly downtime
- 4 to 20 mA and voltage outputs in one unit...greater versatility



WIRING DIAGRAM



DIMENSIONAL DRAWING



ORDERING INFORMATION



Outputs	Relay Option	Thermistor/2nd Relay option	Warranty	Housing
CWVS <input type="checkbox"/> 1 = 0-3/5/10VDC and 4-20mA 2 = Dual 4-20mA 3 = Dual 0-3/5/10VDC	<input type="checkbox"/> X = None 1 = Relay	<input type="checkbox"/> X = No option B = 100R Platinum C = 1k Platinum D = 10k T2 E = 2.2k F = 3k H = 10k T3 J = 10k Dale K = 10k w/11k with shunt M = 20k NTC N = 1800 ohm P = 10m V/C R = 10k US S = 10k 3A 221 U = 20k "D", Thermistor W = 10k T2 high accuracy, Thermistor Y = 10k T3 high accuracy, Thermistor Z = 10k E1, Thermistor 1 = Relay	<input type="checkbox"/> 1 = 1 Year 3 = 3 Years 5 = 5 Years	<input type="checkbox"/> Blank = White/gray B = Black

*The CE mark indicates RoHS2 compliance. Please refer to the CE Declaration of Conformity for additional details.

Example:



ACCESSORIES

Calibration kits and gases (AA01, AA26, AA27, AA28, AA29)

Handheld air quality testers (1010, 1008, 770)

