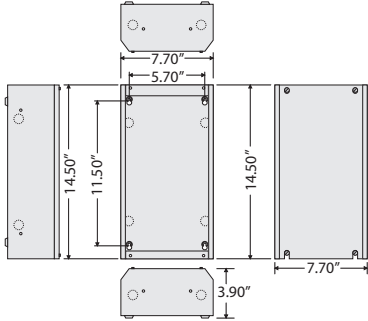


ENCLOSURE

MH1000 Series

Metal Housing, NEMA 1, 14.50" H x 7.70" W x 3.90" D



MH1000 SERIES ASSEMBLIES			
Model #	Enclosure	Plastic Snap Track	Weight
MH1000	MH1000		6.00 lbs.
MH1010	MH1000	MT4-12 (4.00"W)	6.30 lbs.
MH1020	MH1000	MT212-12 (2.75"W)	6.25 lbs.



SPECIFICATIONS

Construction: 18 Gauge Steel
Cover Type: Screw Down Cover
Approvals: UL Listed, C-UL, CE Approved, RoHS

Notes:
 • Consult factory for custom colors for large orders.