



4700 W. 160th St.
Cleveland, OH 44135
PH: 800-321-9532
FX: 800-321-9535
www.oatey.com

TECHNICAL SPECIFICATION

**FIRE – RATED WASHING MACHINE
OUTLET BOXES**



Engineering Specification: Oatey Fire-Rated Washing Machine Outlet Boxes can be used in applications requiring supply valves and waste drain recessed into a fire-rated wall. Unit shall allow for the mounting of supply lines from top or bottom on the left or right side. Unit shall be available with single lever or ¼ turn brass ball valves in configurations with and without water hammer arrestors listed to ASSE 1010. Adjustable metal support bracket shall be installed on top and bottom of unit for support in stud wall. Drain size to be 2" with ¼ turn test cap.

Job Reference

Materials:

- **Outlet Box:** Bulk Molding Compound (BMC) Thermoset fire-rated plastic
- **Adjustable Mounting Bracket:** Galvanized Steel
- **2" DWV Drain Piece:** PVC
- **Drain Piece Metal Sleeve:** Galvanized steel with integrated intumescent pad
- **Plugs:** Bulk Molding Compound (BMC) thermoset fire-rated plastic
- **Test Cap:** PVC
- **Box Pad:** UL Classified FyreWrap Insulation Material
FyreWrap is a registered trademark of Unifrax LLC.

LISTINGS and APPROVALS:

ASTM E814

- 1-hour wall: 60 min. (F)
- 1-hour wall: 32 min (T)
- 2-hour wall: 120 min (F)
- 2-hour wall: 85 min (T)

CAN/ULC S115

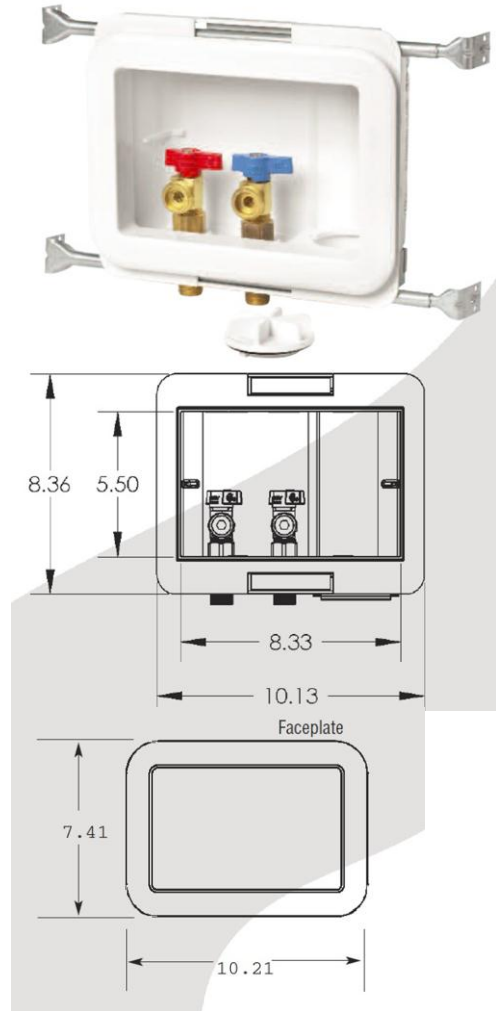
- 1-hour wall: 60 min. (F/FH)
- 1-hour wall: 32 min (FT/FTH)
- 2-hour wall: 120 min. (F/FH)
- 2-hour wall: 85 min. (FT/FTH)

Multiple Valve installation options:

- Right-hand offset, bottom mount
- Right-hand offset, top mount
- Left-hand offset, bottom mount
- Left-hand offset, top mount

Adjustable mounting Bracket:

- Use nails or screws to secure into stud wall
- **Faceplate:** Snap –on faceplate accommodates up to two layers of 5/8" gypsum
- **Drain:** 2" Drain Piece fits 2" PVC or ABS Schedule 40 pipe



| ✓ | Product No. | Description | PACK | CARTON WEIGHT |
|---|-------------|--|------|---------------|
| | 38470 | ¼ Turn Brass Ball Valve, Copper Sweat, Standard Pack | 6 | 31 |
| | 38470SP | ¼ brass ball valves, copper sweat- single pack | 1 | 4 |
| | 38471 | ¼ Turn Brass Ball Valve, CPVC, Standard Pack | 6 | 31 |
| | 38471SP | ¼ brass ball valve CPVC- single pack | 1 | 4 |
| | 38472 | ¼ Turn Brass Ball Valve, ½" ASTM F1807 PEX, Standard Pack | 6 | 31 |
| | 38472SP | ¼ turn brass ball valve ½" ASTM F 1807 Pex single pack | 1 | 4 |
| | 38473 | ¼ Turn Brass Ball Valve, ½" ASTM F1960 PEX, Standard Pack | 6 | 31 |
| | 38473SP | ¼ turn brass ball valve ½" ASTM F 1960 Pex single Pack | 1 | 4 |
| | 38474 | Single Lever Brass Ball Valve, Copper Sweat, Standard Pack | 6 | 34 |
| | 38474SP | Single lever brass ball valve- copper sweat | 1 | 5 |
| | 38475 | Single Lever Brass Ball Valve, CPVC, Standard Pack | 6 | 35 |
| | 38475SP | Single lever brass ball valve CPVC- single pack | 1 | 5 |
| | 38476 | Single Lever Brass Ball Valve, ½" ASTM F1807 PEX, Standard Pack | 6 | 34 |
| | 38476SP | Single lever brass ball valve ½" ASTM F 1807 Pex, single pack | 1 | 5 |
| | 38477 | Single Lever Brass Ball Valve, ½" ASTM F1960 PEX, Standard Pack | 6 | 34 |
| | 38477SP | Single lever brass ball valve ½" ASTM F 1960 Pex- single pack | 1 | 5 |
| | 38478 | ¼ Turn Brass Ball Valve with Water Hammer Arrestor, Copper Sweat, Standard Pack | 6 | 34 |
| | 38478SP | ¼ brass hammer ball valves-copper sweat- single pack | 1 | 5 |
| | 38479 | ¼ Turn Brass Ball Valve with Water Hammer Arrestor, CPVC, Standard Pack | 6 | 34 |
| | 38479SP | ¼ turn brass hammer ball valves – CPVC – single pack | 1 | 5 |
| | 38480 | ¼ Turn Brass Ball Valve with Water Hammer Arrestor, ½" ASTM F1807 PEX, Standard Pack | 6 | 34 |
| | 38480SP | ¼ turn brass hammer ball valves – ½" ASTM F 1807 Pex-single pack | 1 | 5 |
| | 38481 | ¼ Turn Brass Ball Valve with Water Hammer Arrestor, ½" ASTM F1960 PEX, Standard Pack | 6 | 34 |
| | 38481SP | ¼ turn brass hammer ball valves – ½" ASTM F 1807 Pex-single pack | 1 | 5 |
| | 38482 | Single Lever Brass Ball Valve with Water Hammer Arrestor, Copper Sweat, Standard Pack | 6 | 38 |
| | 38482SP | Single lever brass hammer ball valve- copper sweat- single pack | 1 | 6 |
| | 38483 | Single Lever Brass Ball Valve with Water Hammer Arrestor, CPVC, Standard Pack | 6 | 38 |
| | 38483SP | Single lever brass hammer ball valve – CPVC – single pack | 1 | 6 |
| | 38484 | Single Lever Brass Ball Valve with Water Hammer Arrestor, ½" ASTM F1807 PEX, Standard Pack | 6 | 38 |
| | 38484SP | Single lever brass hammer ball valve – ½" ASTM F 1807 Pex-single pack | 1 | 6 |
| | 38485 | Single Lever Brass Ball Valve with Water Hammer Arrestor, ½" ASTM F1960 PEX, Standard Pack | 6 | 38 |
| | 38485SP | Single lever brass hammer ball valve – ½" ASTM F 1960 Pex-single pack | 1 | 6 |
| | 38486SP | ¼ Turn brass ball valve-copper sweat-single pack | 1 | 4 |
| | 38487SP | ¼ Turn brass ball valve-CPVC-single pack | 1 | 4 |
| | 38488SP | ¼ Turn brass ball valve ½" ASTM F1807 Pex single pack | 1 | 4 |
| | 38489SP | ¼ Turn brass ball valve ½" ASTM F1960 PEX single pack | 1 | 4 |
| | 38491SP | ¼ Turn brass hammer ball valve – CPVC – single pack | 1 | 5 |
| | 38492SP | ¼ Turn brass hammer ball valve ½" ASTM F1807 PEX – single pack | 1 | 5 |
| | 38493SP | ¼ Turn brass hammer ball valve ½" ASTM F1960 PEX – single pack | 1 | 5 |

| Accessories | | | | |
|-------------|-------------|---|------|---------------|
| ✓ | Product No. | Description | PACK | CARTON WEIGHT |
| | 38494 | Plain Washing Machine Outlet Box, without faceplate or brackets | 6 | 18 |
| | 38496 | Washing Machine Outlet Box Faceplate | 6 | 1 |
| | 38498 | Adjustable Metal Support Bracket, 2-pieces | 12 | 8 |
| | 38576 | Washing Machine Outlet Box Test Cap | 12 | 1 |