

1382NA2P – REMODELINE SECTIONALS

inches (mm)

38 x 38 x 72 (965 x 965 x 1830) • Fax on Demand #3005



FEATURES

- 2-piece shower
- Smooth wall
- Neo-angle corner design
- Molded toiletry shelf
- Requires 56" turning space
- Center drain
- Gelcoat surface
- 5-year limited warranty

OPTIONS

- Grab bar reinforcement
- Factory installed assisted care grab bars
- Brass shower drain
- Shower Door Series L061

AQUATIC ADVANTAGE

- National distribution
- 5 manufacturing facilities
- Private fleet
- Centralized customer service
- Field support
- 24-hour fax-on-demand

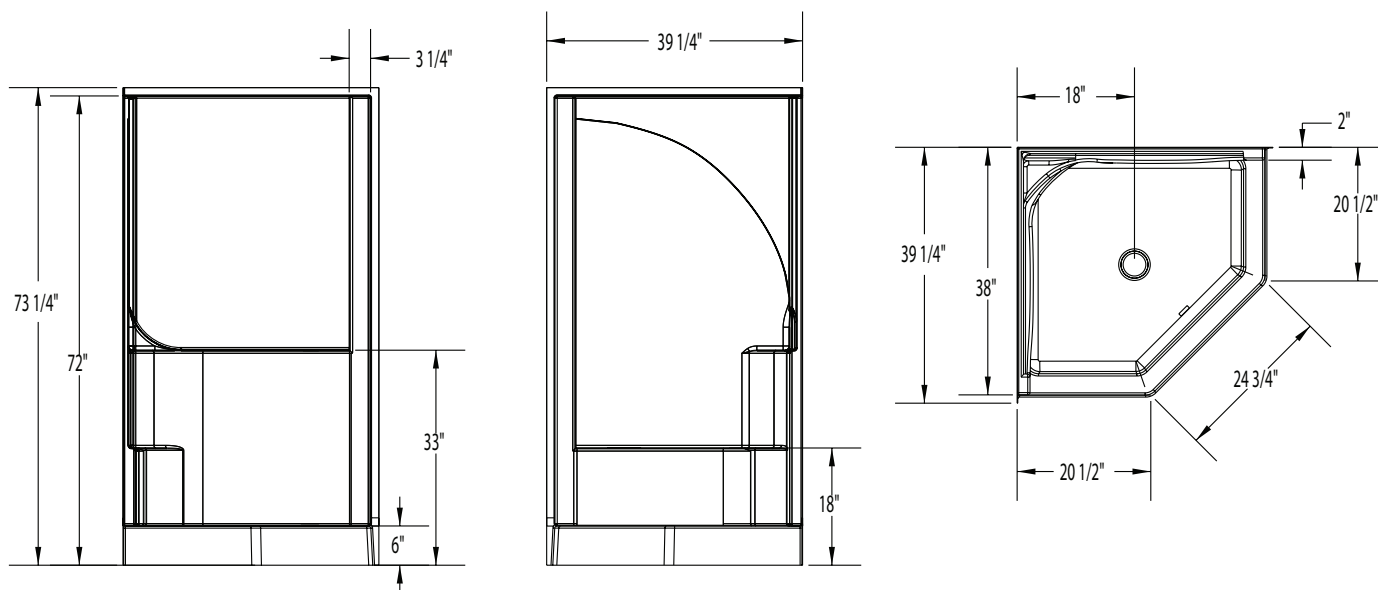
COLOR OPTIONS

| Stock | Premium |
|---------|-----------------|
| Almond | Black |
| Biscuit | Mexican Sand |
| Bone | Sand Bar |
| Linen | Sterling Silver |
| White | |



1382NA2P

38 x 38 x 72 (965 x 965 x 1830)
inches (mm)



FEATURES lbs (kg) Dimensional Tolerance $\pm \frac{3}{8}$ ". Dimensions needed for site preparation should be measured from the unit. Aquatic assumes no responsibility for preparatory work.

| Model # | Material | Wall Finish | Pieces | Drain | Seat | Net Wt. | Pkg. Wt. |
|------------------|----------|-------------|--------|--------|------|---------|----------|
| Shower #1382NA2P | Gelcoat | Smooth | 2 | Center | - | 84 (38) | 89 (40) |

DIMENSIONS

| Specifications | inches (mm) |
|---------------------------------|---|
| Width: Overall / Net | 39 1/4 (995) / 38 (965) |
| Depth: Overall / Net | 39 1/4 (995) / 38 (965) |
| Height: Overall / Net | 73 1/4 (1860) / 72 (1830) |
| Enclosure Opening | 17 5/8 x 23 7/8 x 17 5/8 (450 x 605 x 450) |
| Skirt Height | 6 (150) |
| Drain Rough-In (from Back Wall) | 18 (455) |
| Drain Rough-In (from Side Wall) | 18 (455) |
| Drain: Diameter / Clearance | 3 1/4 (85) / 3/4 (20) |

FRAMING DIMENSIONS inches (mm)

| Type | D Depth | W Width | H Height | A | B | C |
|--------|-----------------|-----------------|-------------|---------|----------|----------|
| Alcove | 39 1/4 (995) | 39 1/4 (995) | - | Box Out | 18 (455) | 18 (455) |

