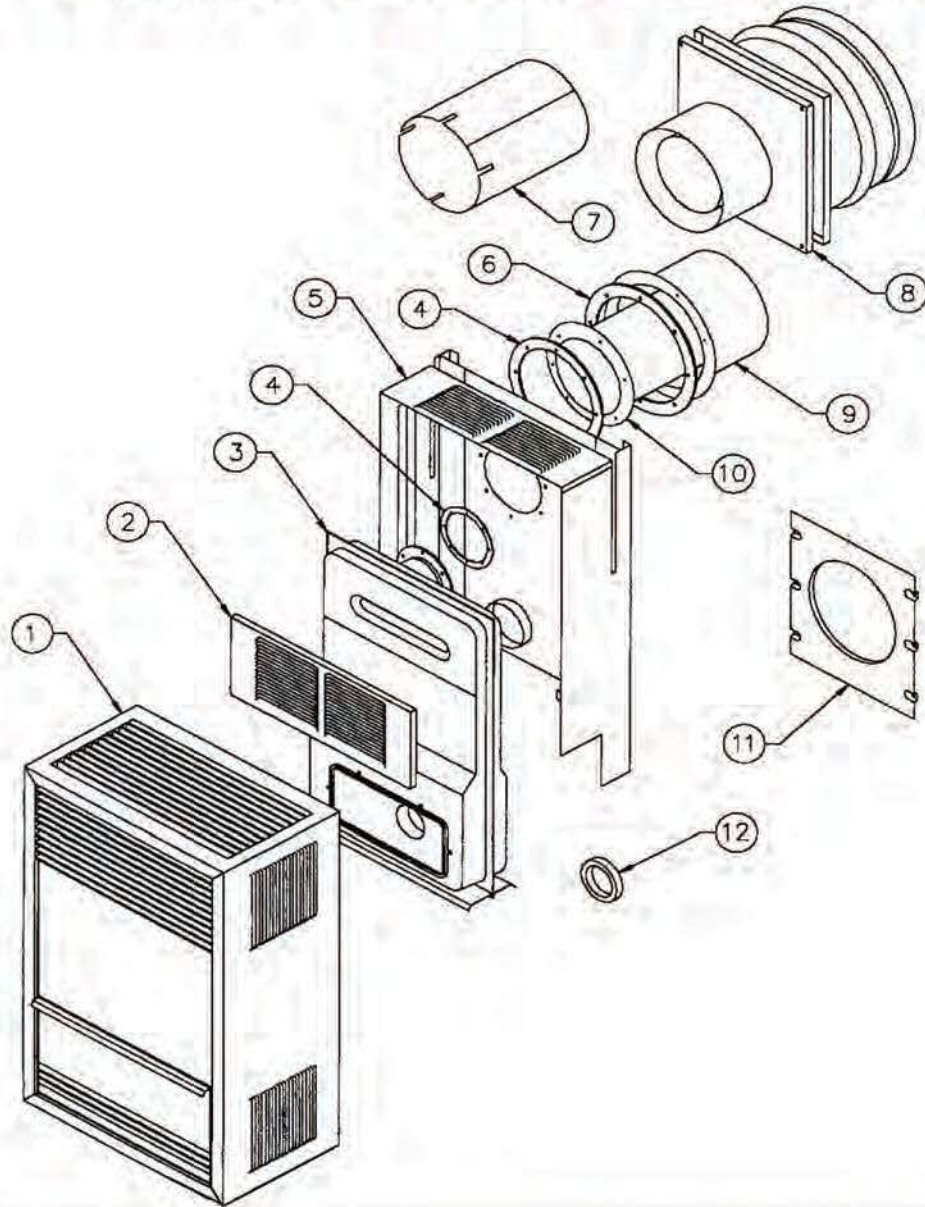


# Direct-Vent Wall Furnace

Model Numbers: 1403821, 1413821, 1433821, 1453821, 1403822, 1413822, 1433822, 1453822

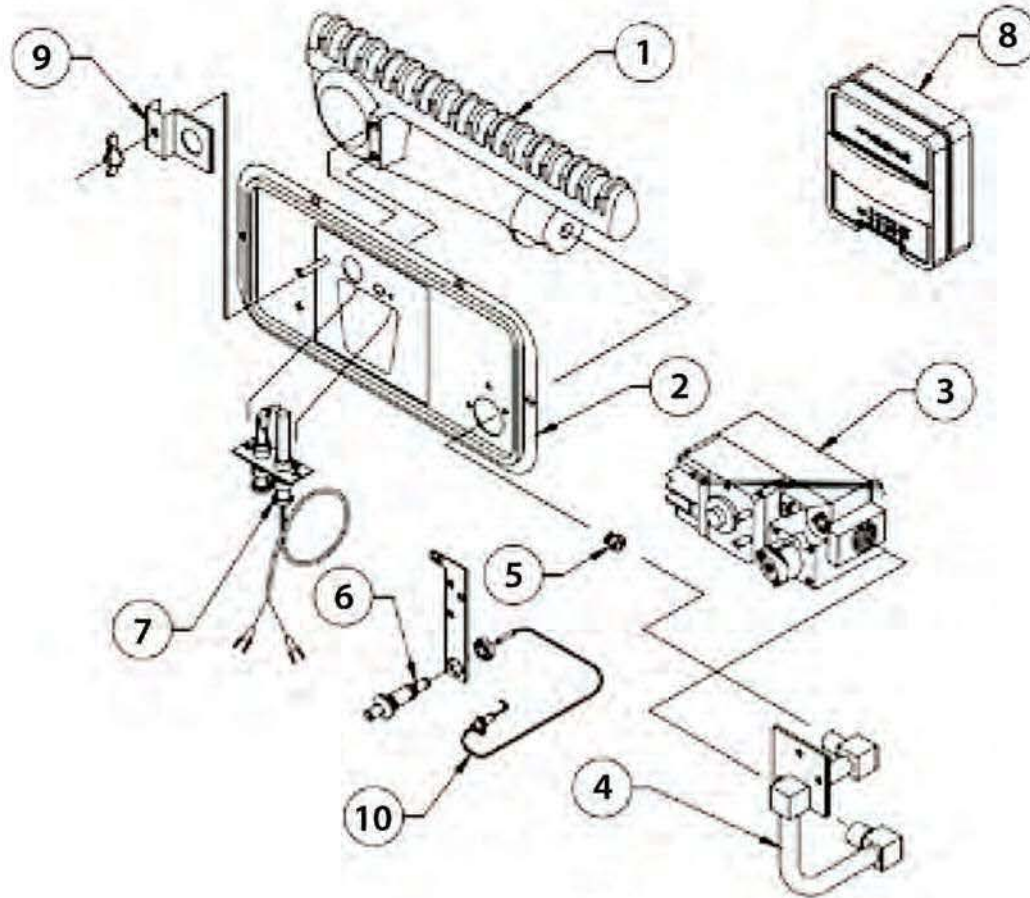


## CABINET PARTS

Reference Number	Description	1403821 1413821 1433821 1453821	1403822 1413822 1433822 1453822
1	Face Panel	4309	4309
2	Combustion Chamber Shield	8A72	8A72
3	Combustion Chamber	8B77	8B77
4	Flue Tube Gasket (2 Required)	P147001	P147001
5	Inner Casing	8B62	8B62
6	Air Inlet Gasket	P147000	P147000
7	Air Inlet Shield (Standard Maximum 9" Thick Wall)	6C54-1	6C54-1
8	Vent Cap	9306	9306
9	Air Inlet Collar (Standard Maximum 9" Thick Wall)	6C60	6C60
10	Flue Extension (Standard Maximum 9" Thick Wall)	6A193	6A193
11	Mounting Spacer Plate	8B64	8B64
12	Air Inlet Gasket	P121800	P121800

# Direct-Vent Wall Furnace

## CONTROL ASSEMBLY - 14038 SERIES



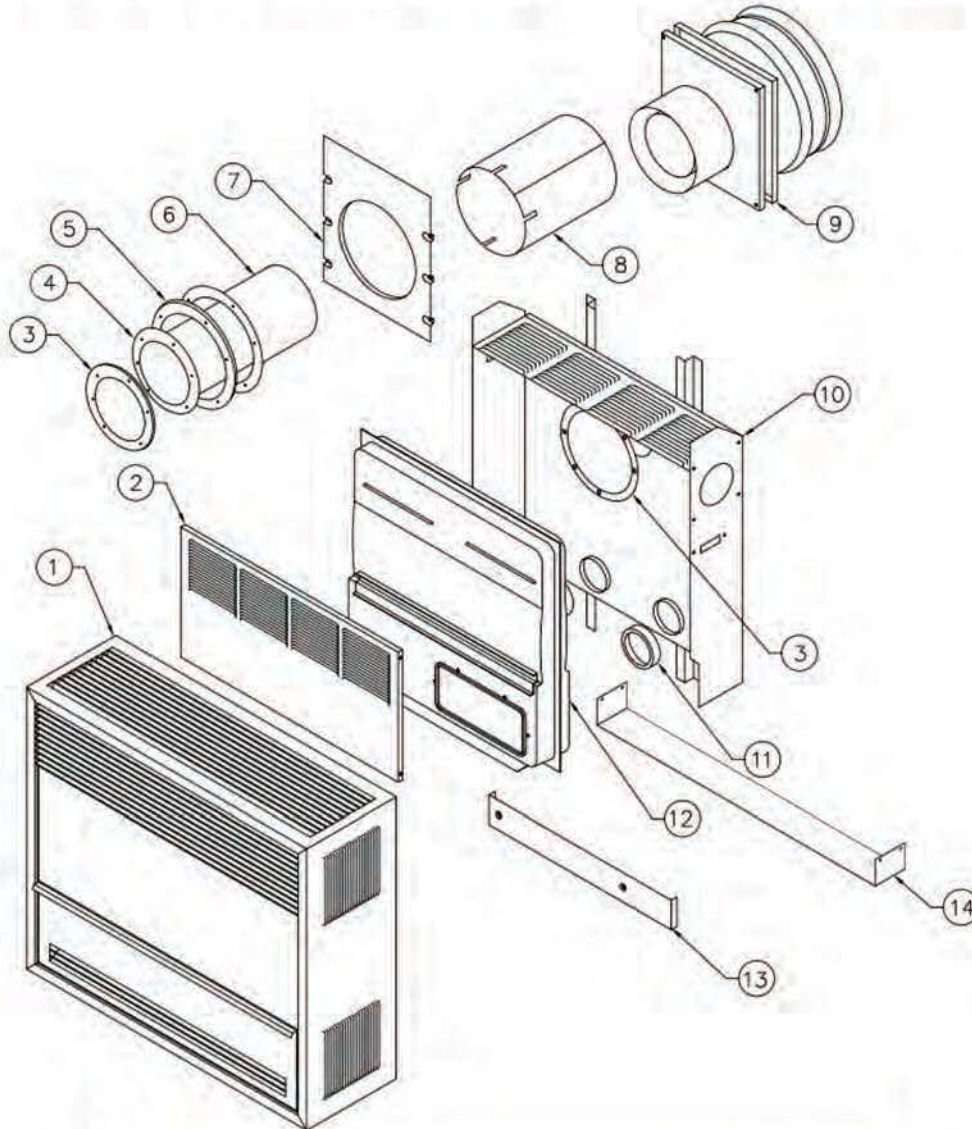
### CONTROL ASSEMBLY - 14038 SERIES

Reference Number	Description	1403821	1403822
		1413821	1413822
		1433821	1453822
		1453821	1453822
1	Burner	P168400	P168400
2	Control Door	8A103	8A103
**	Control Door Gasket	P500677	P500677
3	Gas Valve	P295201A	P295200A
4	Manifold	P323659	P323659
**	Manifold Gasket	P147200	P147200
5	See Burner Orifice Sizing Chart		
6	Manual Spark Igniter	P285500	P285500
7	Pilot	P322399	P322398
**	Pilot Gasket	P142700	P142700
8	Thermostat	P322016	P322016
9	Observation Door	12B40	12B40
**	Observation Door Gasket	P100100	P100100
10	Electrode	P322400	P322400

\*\* Not shown

# Direct-Vent Wall Furnace

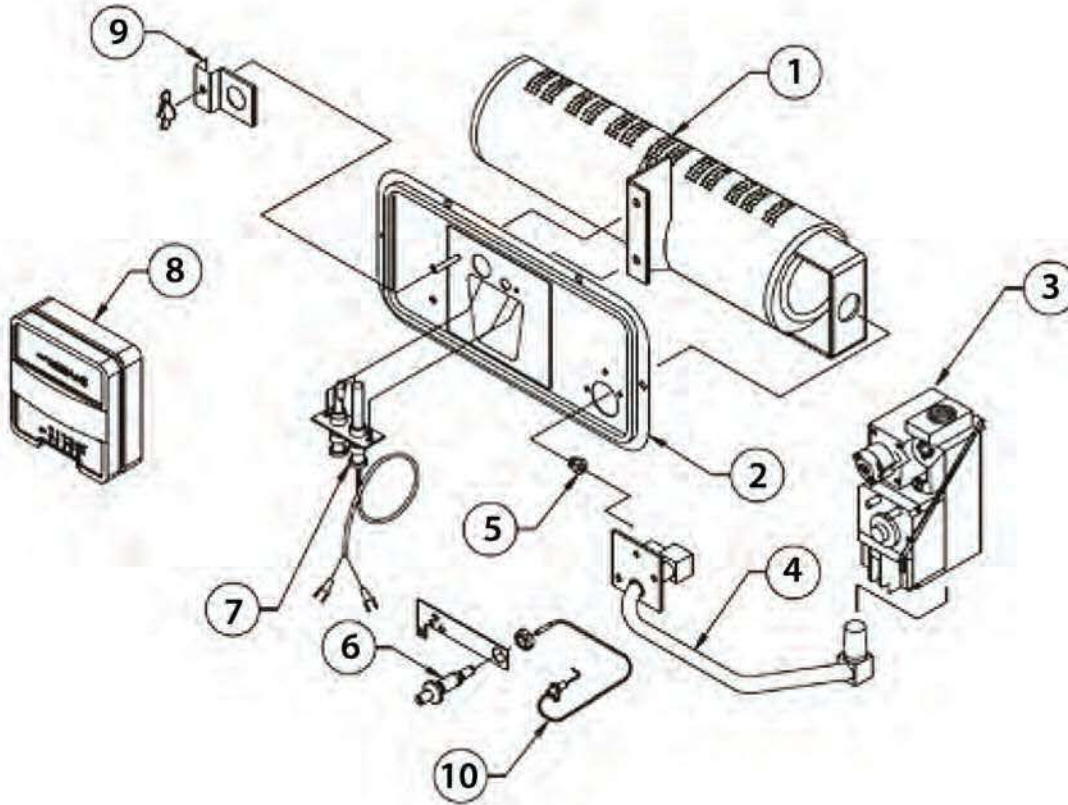
Model Numbers: 2203831, 2213831, 2233831, 2253831, 2203822, 2213822, 2233822, 2253822



CABINET PARTS			
Reference Number	Description	2203821 2213821 2233821 2253821	2203822 2213822 2233822 2253822
1	Face Panel	4313	4313
2	Combustion Chamber Shield	6B149	6B149
3	Flue Tube Gasket (2 Required)	P147001	P147001
4	Flue Extension (Standard Maximum 9" Thick Wall)	8A51	8A51
5	Air Inlet Gasket	P147000	P147000
6	Air Inlet Collar (Standard Maximum 9" Thick Wall)	6C60	6C60
7	Mounting Spacer Plate	6C66	6C66
8	Air Inlet Shield (Standard Maximum 9" Thick Wall)	6C54-1	6C54-1
9	Vent Cap	9306	9306
10	Inner Casing	6D20	6D20
11	Air Inlet Gasket (2 Required)	P121800	P121800
12	Combustion Chamber	6304	6304
13	Leg Cover Plate	6B25	6B25
14	Bottom Heat Shield	-	-

# Direct-Vent Wall Furnace

## CONTROL ASSEMBLY - 22038 SERIES



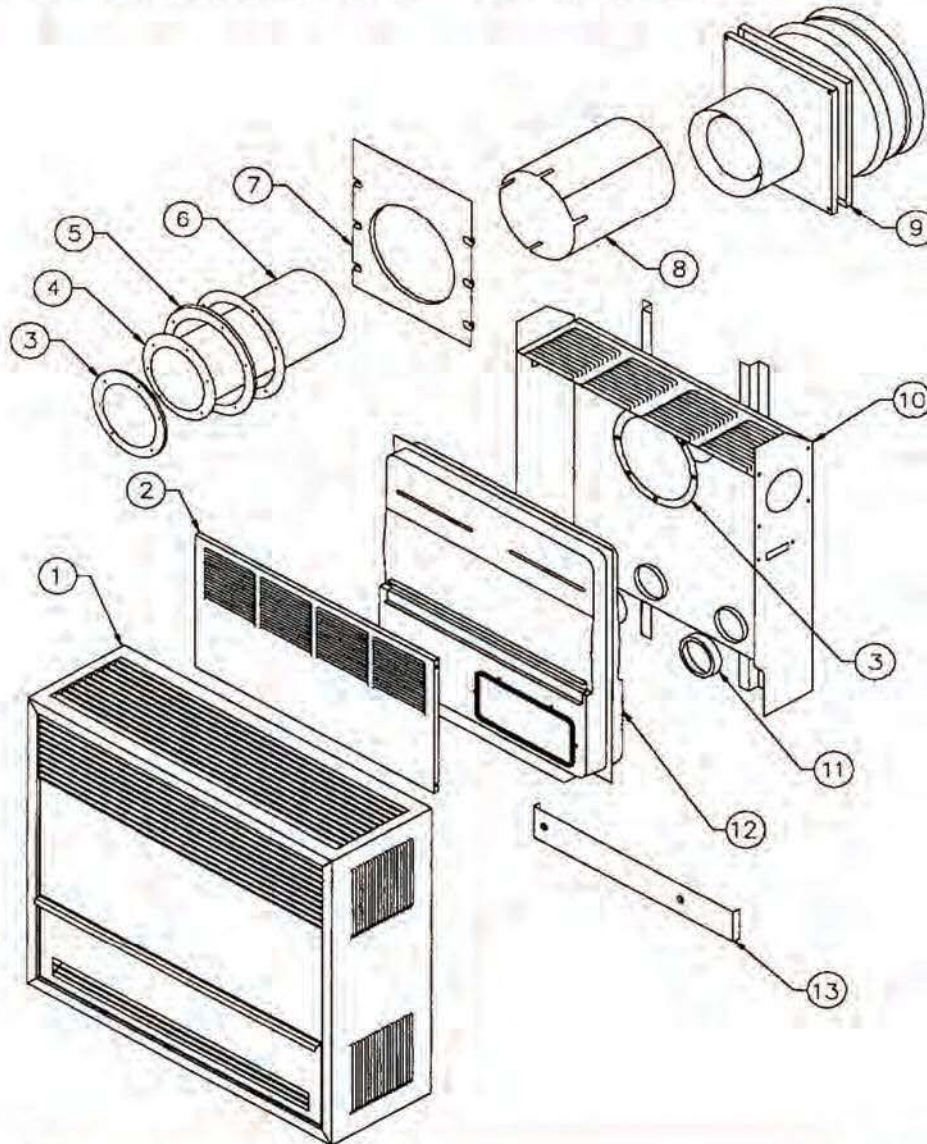
## CONTROL ASSEMBLY - 20038 SERIES

Reference Number	Description	2003821	2003822
		2213821	2213822
		2233821	2233822
		2253821	2253822
1	Burner	P168401	168401
2	Control Door	8A135	8A135
**	Control Door Gasket	P500677	P500677
3	Gas Valve	P295201A	P295200A
4	Manifold	P323655	P323655
**	Manifold Gasket	P147200	P147200
5	See Burner Orifice Sizing Chart		
6	Manual Spark Igniter	P285500	P285500
	Pilot	P322399	P322398
**	Pilot Gasket	P142700	P142700
8	Thermostat	P322016	P322016
9	Observation Door	12B40	12B40
**	Observation Door Gasket	P100100	P100100
10	Electrode	P322400	P322400

\*\* Not shown

# Direct-Vent Wall Furnace

Model Numbers: 3003621, 3033621, 3053621, 3003622, 3033622, 3053622

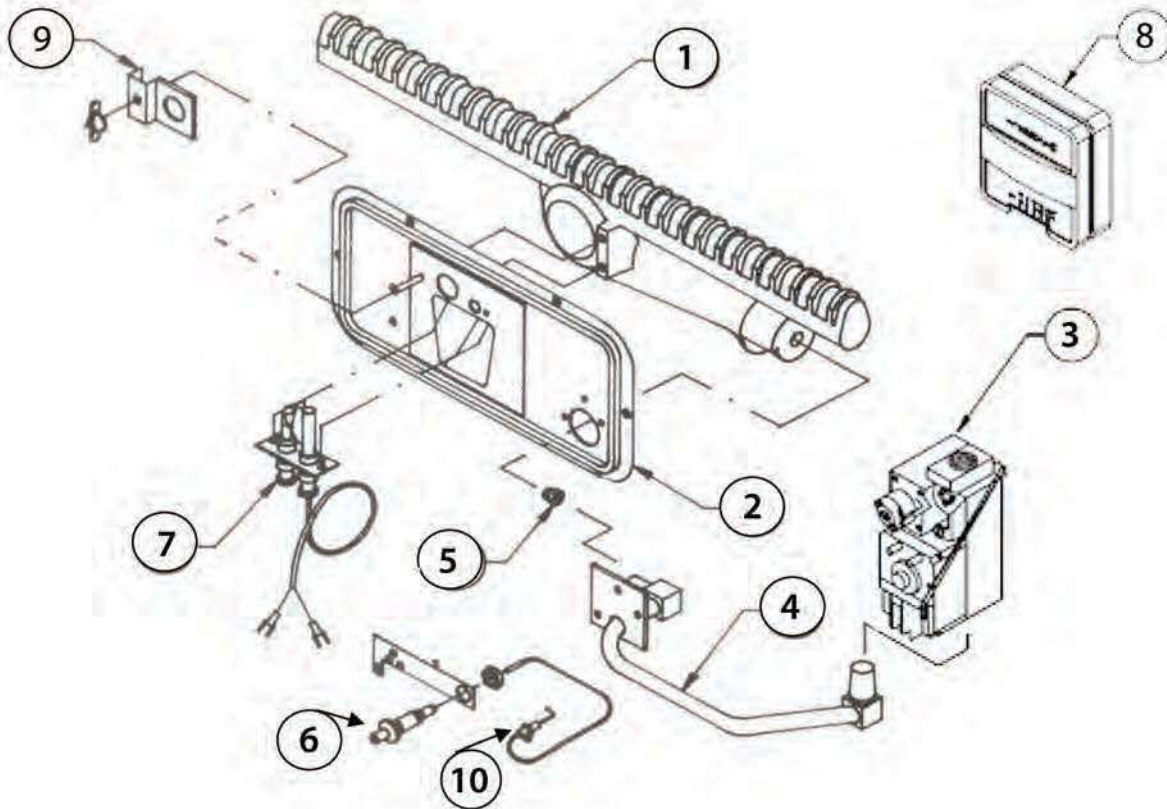


## CABINET PARTS

Reference Number	Description	3003621 3033621 3053621	3003622 3033622 3053622
1	Face Panel	4313	4313
2	Combustion Chamber Shield	6B149	6B149
3	Flue Tube Gasket (2 Required)	P147001	P147001
4	Flue Extension (Standard Maximum 9" Thick Wall)	6A190	6A190
5	Air Inlet Gasket	P147000	P147000
6	Air Inlet Collar (Standard Maximum 9" Thick Wall)	6C51	6C51
7	Mounting Spacer Plate	6C66	6C66
8	Air Inlet Shield (Standard Maximum 9" Thick Wall)	6C54-1	6C54-1
9	Vent Cap	9306	9306
10	Inner Casing	6D20	6D20
11	Air Inlet Gasket (2 Required)	P121800	P121800
12	Combustion Chamber	6304	6304
13	Leg Cover Plate	6B25	6B25

# Direct-Vent Wall Furnace

## CONTROL ASSEMBLY - 30036 SERIES



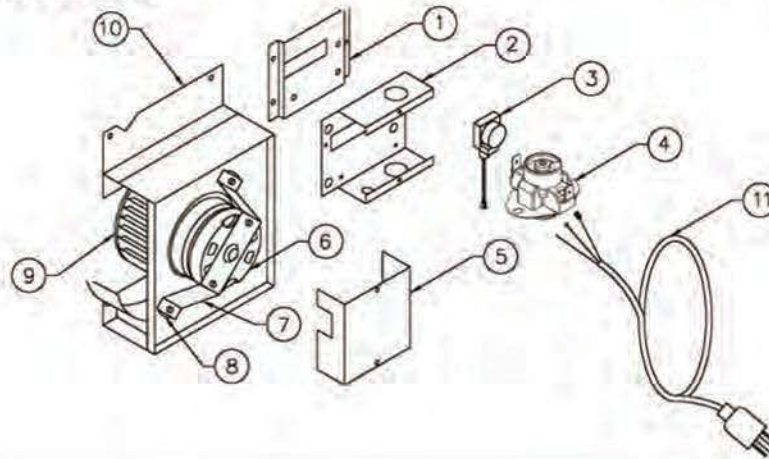
### CONTROL ASSEMBLY - 30036 SERIES

Reference Number	Description	3003621	3003622
		3033621	3033622
		3053621	3053622
1	Burner	P147400	P167400
2	Control Door	8A103	8A103
**	Control Door Gasket	P500677	P500677
3	Gas Valve	P295201A	P295200A
4	Manifold	6B76	6B76
**	Manifold Gasket	P147200	P147200
5	See Burner Orifice Sizing Chart		
6	Manual Spark Igniter	P285500	P285500
7	Pilot	P322399	P322398
**	Pilot Gasket	P142700	P142700
8	Thermostat	P322016	P322016
9	Observation Door	12B40	12B40
**	Observation Door Gasket	P100100	P100100
10	Electrode	P322400	P322400

\*\* Not shown

# Direct-Vent Blower Accessory

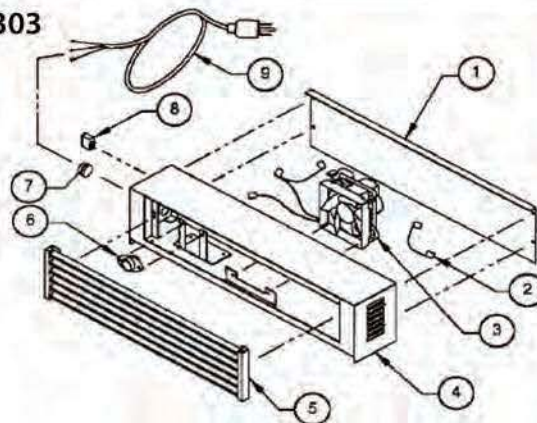
## BLOWER ASSEMBLY MODEL 2302



### MODEL 2302

Reference Number	Part Number	Description
1	6A24	Switch Box Bracket
2	6B33	Switch Box
3	P321017	Fan Switch (Pull Chain)
4	P332490	Automatic Fan Switch
5	6A23	Switch Box Cover
6	P130600	Motor
7	6A93	Motor Support
8	P128400	Vibration Isolator (2 Required)
9	P130700	Blower Wheel
10	6B64	Blower Frame
11	P323335	Plug and Cord

## BLOWER ASSEMBLY MODEL 2303



### MODEL 2303

Reference Number	Part Number	Description
1	8A128	Back Plate
2	P101000	Wire
3	8B94	Fan Blower Assembly
4	8B93	Blower Casing Assembly
5	8B90	Louver Assembly
6	P323095	Heat Sensor Switch
7	P500158	Strain Relief
8	P323080	Fan Switch
9	P323335	Plug and Cord