



PRESSURE

WET/WET DIFFERENTIAL PRESSURE TRANSMITTERS

W30 SERIES

DESCRIPTION

W30 Series Differential Pressure Transmitters measure differential pressure in liquids and gases compatible with 316 stainless steel. They are an excellent choice for HVAC and process applications, including measurement of differential pressure across flow elements, heat exchangers, pumps, filters, coils, and liquid level monitoring.

W30 Series transmitters are housed in a compact, heavy-duty cast aluminum case designed to NEMA 4 (IP65) standards. The rugged design allows them to withstand high overpressure without damaging the unit or affecting calibration. They are $\pm 0.5\%$ accurate and available in eight ranges up to 200 psig differential. The **W30 Series** is a 4-20 mA, two-wire, loop-powered device that operates on nominal 24 VDC.



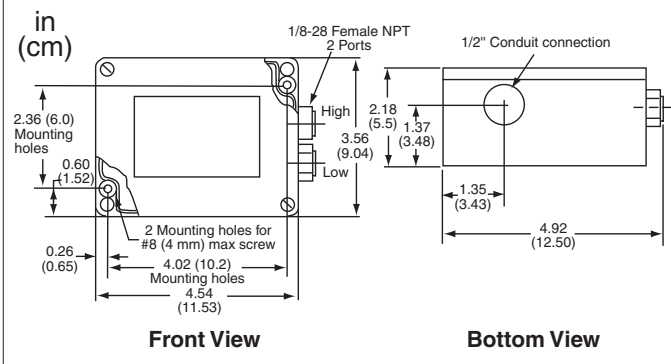
Distributor
GE Sensing & Inspection Technologies



FEATURES

- **316 stainless steel wetted parts**
- **4-20 mA two-wire output**
- **Operates on nominal 24 VDC**
- **NEMA 4 cast aluminum enclosure**
- **Accuracy of $\pm 0.5\%$**
- **Ranges to 200 psig (1379 kPa) differential**

DIMENSIONS



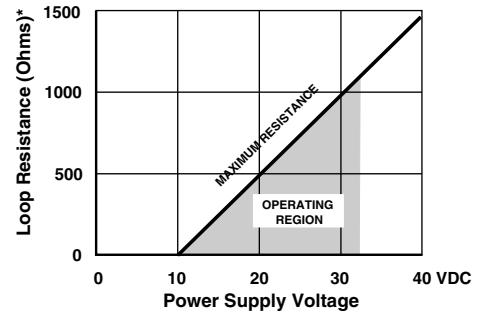
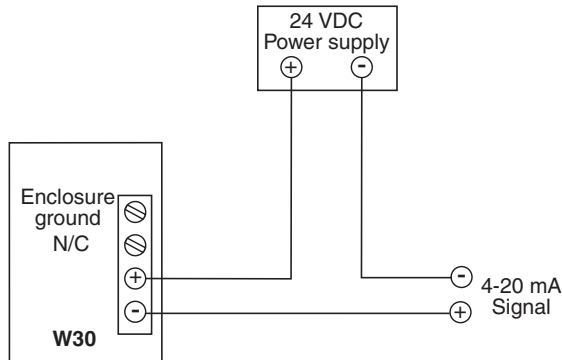
SPECIFICATIONS

Supply voltage	11-32 VDC, 25 mA max.
Accuracy	$\pm 0.5\%$ of differential pressure range, including non-linearity and hysteresis, or $\pm 1.0\%$ for 0-6 psid (0-41.4 kPa) range
Output	4-20 mA, 600 Ω maximum impedance at 24 VDC
Effect of static pressure	Less than 0.25% for static pressure change from 0-100%, or 0.60% for 0-6 psid (0-41.4 kPa) range
Thermal effect	
Zero	$\pm 0.05\%$ per $^{\circ}\text{C}$
Span	$\pm 0.03\%$ per $^{\circ}\text{C}$
Overpressure	See ordering information table
Service	Compatible liquids or gases
Wetted parts	316 Stainless Steel

Temperature	
Operating	32 $^{\circ}$ to 122 $^{\circ}\text{F}$ (0 $^{\circ}$ to 50 $^{\circ}\text{C}$)
Storage	-20 $^{\circ}$ to 160 $^{\circ}\text{F}$ (-30 $^{\circ}$ to 70 $^{\circ}\text{C}$)
Humidity	
Operating	10% to 90% RH non-condensing
Wetted parts	316 stainless steel
Connections	
Pressure	1/8" FNPT
Electrical	14-26 AWG pluggable terminal block
Enclosure	Aluminum alloy #A380 with black epoxy paint finish and stainless steel cover screws
Agency approval	CE
Weight	1.1 lb (0.5 kg)
Warranty	1 year



WIRING



*Loop resistance = Wire resistance + Receiver resistance

INSTALLATION

The **W30 Series** transmitter should be mounted on a stable surface, free of vibration and pipe strain. A Model PT steam syphon is recommended to protect the transmitter on steam applications. Another device that might be required is the Model 47 pressure snubber to protect the transmitter from pressure pulses.

ORDERING INFORMATION

MODEL	DESCRIPTION
W30	Liquid differential pressure transmitter
RANGE (call Kele for metric ranges)	
RANGE	DIFFERENTIAL PRESSURE RANGE psid (kPa)
31E	6 (41.4)
32E	10 (69.0)
33E	15 (103.4)
34E	30 (206.8)
35E	60 (413.6)
36E	100 (689.5)
37E	150 (1034.4)
38E	200 (1379.2)
MAXIMUM OPERATING STATIC PRESSURE*	
	psig (kPa)
	100 (690)
	300 (2069)
MANIFOLD OPTION	
BVA	Bypass valve assembly
3VLV	Three-valve manifold assembly

*The maximum safe momentary over pressure at any port is two times the maximum operating static pressure.

W30 - **36E**

Example: W30-36E Stainless steel liquid differential pressure transmitter with a range of 0-100 psig (689.5 kPa)

RELATED PRODUCTS

47B, 47S Snubbers (brass or stainless steel)
Model PT Steam pigtail syphon