



B42 Series Regulator

Residential Regulator

The B42 is a spring loaded self-operated regulator with internal relief option. The B42 features a molded diaphragm, 6:1 lever ratio and one inch vent. The benefit is a lighter more compact unit that provides the power, capacity and relief performance of larger regulators.

APPLICATIONS

Consistent pressure reduction of gas for typical domestic and light commercial applications.

OPTION DESIGNATIONS

- » N No Internal Relief
- » R Internal Relief
- » HP Available – See spring chart

B42N

- » The B42N is a spring-loaded, self-operated regulator with no internal relief (N) valve. This model can be used on low or intermediate inlet pressures where an internal relief or other type of over-pressure protection device is not required.

B42R

- » The B42R is the internal relief (R) version of the B42 Series. The large 1" internal relief valve provides exceptional relief capacity.

COMPACT SIZE

- » While the model B42 is more compact than traditional regulators, it was also designed to meet customer expectations for safety and long field life. The B42 is designed to consolidate product usage for both residential and light commercial applications

DESIGNED TO INCREASE YOUR CUSTOMER'S SATISFACTION AND REDUCE YOUR TOTAL COSTS

- » The model B42 is uniquely constructed to give utilities the edge they need in an increasingly complex and competitive market place. The model B42 excels with benefits of size, safety, performance, and cost. The B42 also offers three connection versions providing the greatest flexibility for your regulations needs. In addition, due to inventory and manufacturing enhancements, this product can be delivered with unparalleled speed and scheduling dependability.

FEATURES

- » Interchangeable aluminum orifice
- » 12.6 sq. in. of diaphragm area
- » Molded deep convolution diaphragm with o-ring seal
- » Plated steel diaphragm plate
- » Stainless steel lever pin
- » Plated steel 6:1 lever
- » One piece molded Buna-N valve seat
- » Die cast zinc valve stem
- » Delrin® vent valve with Buna-N seat
- » Spring-loaded internal relief valve assembly
- » 1" and ¾" threaded vent with stainless steel screen
- » Fiberglass reinforced polyethylene seal cap with integral relief valve stop
- » Field interchangeable adjustment spring

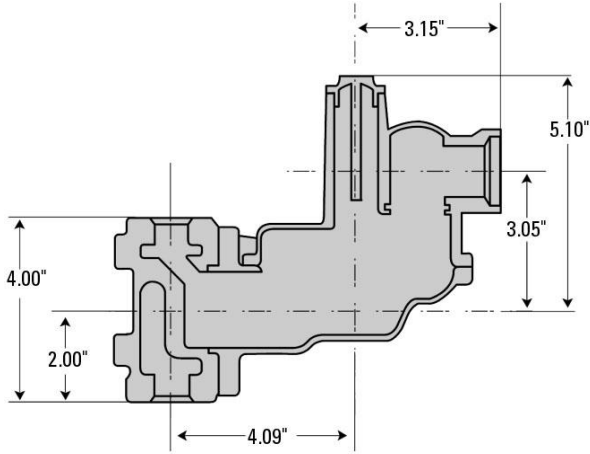


Model B42 Series regulators exceed all AGA/ANSI, B109.4 and CSA 6.18 specifications

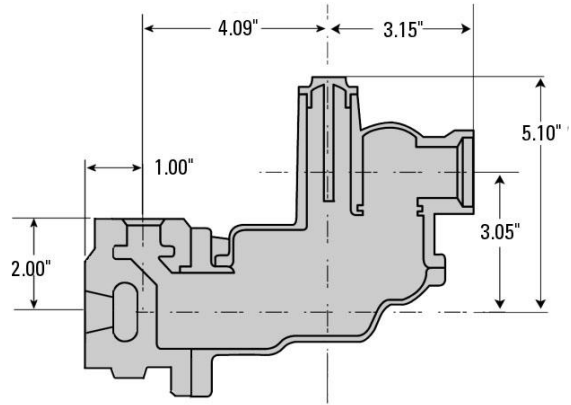
SHIPPING WEIGHT

12 Regulators per box Box weight: 48 lbs.

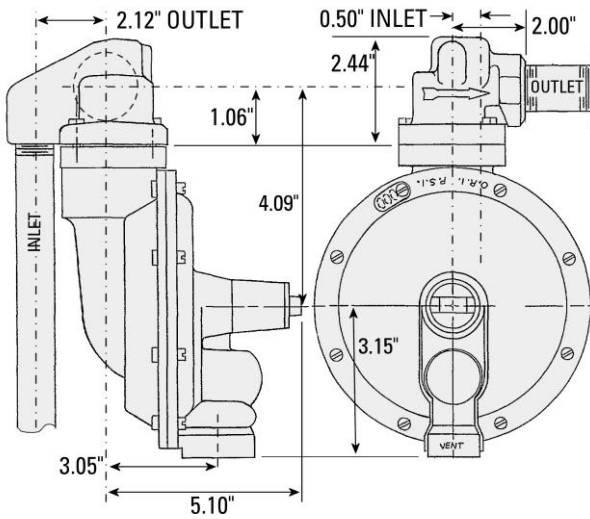
B42 DIMENSIONS (INCHES) / OPERATIONAL SCHEMATIC



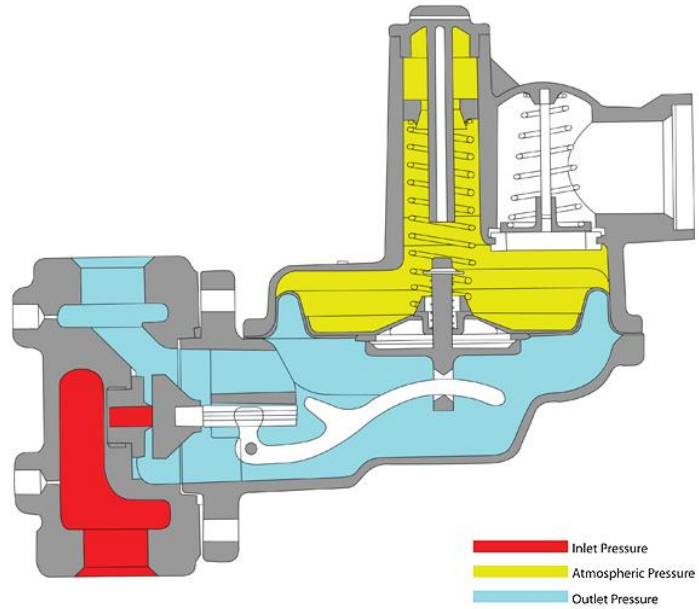
Straight body connection



90° Angle body connection



Compact body connection



Operational Schematic

SPRING DATA - SPRING COLOR OUTLET PRESSURE RANGE*

Colors	Outlet Pressure Range**
Standard Spring Data	
Green	5 - 7" w.c.
Brown	6 - 8" w.c.
Blue	8 - 14" w.c.
Silver	12 - 28" w.c.
Yellow/Black	1 - 2 PSIG
Alternate Spring Data	
Orange	5.5 - 9" w.c.
Dark Green	4 - 9" w.c.
High Pressure Spring Data	
Yellow	2 - 4 PSIG
White	4 - 5 PSIG
Relief Spring Data	
Purple	7" w.c. Above set point
Orange	5" w.c. Above set point
Red	6" w.c. Above set point
Black	9" w.c. Above set point

*Note Ranges are approximations, please contact manufacturer to obtain the best spring for your application.

**WARNING Pilot springs are not interchangeable between B42 and B42HP.

ORIFICE DATA, WIDE OPEN FLOW COEFFICIENTS AND MAXIMUM PRESSURES

Orifice Size (inches)	K-Factor	MAOP	Emergency Inlet Pressure (PSIG)	Emergency Outlet Pressure (PSIG)	
				No Damage	Containment
1/8	30	125 PSIG	300	60	30
1/8 x 3/16	30	125 PSIG	300	60	30
3/16	71	125 PSIG	200	60	30
1/4	127	60 PSIG	150	60	30
5/16	193	35 PSIG	100	60	30
3/8	290	20 PSIG	75	60	30
1/2	416	10 PSIG	40	60	30
1/2 x 9/16	416	10 PSIG	40	60	30

OPERATING TEMPERATURE RANGE

- -20°F to 150°F
- Silicone valve seats available for applications below -20°F

ADDITIONAL SPECIFICATIONS

Available Pilot Vent Sizes: 1" NPT

Other Available Options: Seal wire to indicate unapproved tampering

1/8" pipe plug tap on upstream side of valve body

COMPLIANCE

B42R (internal relief model) compliance with ANSI Z21.80, Line Pressure Regulators

Model B42R used with a 1" vent connection is compliant with ANSI Z21.80 in the configurations noted and shown in the following tables:

With inlet pressures up to 2 PSIG, the B42R is compliant in any configuration.

With inlet pressures up to 5 PSIG.

Orifice Size	Set Point	Maximum Vent Line Length (ft.)*	Number of Elbows**
1/8"	Up to 1 PSIG	50	4 or less
1/8" x 3/16"	Up to 1 PSIG	50	4 or less
3/16"	Up to 1 PSIG	40	4 or less
1/4"	Up to 7" w.c.	40	4 or less
5/16"	Up to 7" w.c.	15	4 or less

* Clean 1" black steel pipe.

** For each elbow greater than 4 elbows, subtract 2.6 ft. from the maximum vent line length.

With inlet pressures up to 10 PSIG

Orifice Size	Set Point	Maximum Vent Line Length (ft.)*	Number of Elbows**
1/8"	Up to 14" w.c.	50	4 or less
1/8" x 3/16"	Up to 14" w.c.	50	4 or less
3/16"	Up to 14" w.c.	50	4 or less
1/4"	Up to 7" w.c.	10	4 or less

* Clean 1" black steel pipe.

** For each elbow greater than 4 elbows, subtract 2.6 ft. from the maximum vent line length.

CONSTRUCTION

Itron takes pride in delivering American made products with the utmost concern for safety, quality, and customer satisfaction.

Construction materials

Valve body	High tensile strength cast iron (ASTM A-126, Class A)
Orifice	Aluminum
Valve seat	Buna-N or silicone
Valve stem	Die cast zinc
Lever pin	Stainless steel (Type 303)
Lever	Zinc and dichromate plated steel (AISI C1010)
Upper diaphragm plate	Zinc and dichromate plated steel (14 gauge steel)
Lower diaphragm plate	Polyester
Diaphragm	Buna-N with reinforcing fabric
Vent valve/seat	Neoprene
Vent screen	Stainless steel (16 mesh)
Adjustment ferrule	Delrin
Seal cap	Fiberglass reinforced polyethylene
Diaphragm case	Die cast aluminum (ASTM B85 Alloy SC84A)
Fastener plating	Dacromet with Plus Black

VALVE BODY SIZES

Inlet (inches)	Outlet (inches)	Compact	90° Angle	Straight
1/2	1/2	---	X	X
1/2	3/4	---	X	X
1/2	1	---	X	---
3/4	3/4	X	X	X
3/4	1	X	X	X
3/4	1 - 1/4	---	---	X
1	1	---	X	X
1	1 - 1/4	---	---	X
1 - 1/4	1 - 1/4	---	---	X

Note: X - indicates that the valve body is available in that configuration.

CORRECTION FACTORS FOR NON-NATURAL GAS APPLICATIONS

The B42 may be used to control gases other than natural gas. To determine the capacity for gases other than natural gas, multiply the values within the capacity tables by a correction factor. The table below lists the correction factors for some of the more common gases:

Gas Type	Specific Gravity	Correction Factor (CF)
Air	1.00	0.77
Butane	2.01	0.55
Carbon Dioxide (Dry)	1.52	0.63
Carbon Monoxide (Dry)	0.97	0.79
Natural Gas	0.60	1.00
Nitrogen	0.97	0.79
Propane	1.53	0.63
Propane-Air-Mix	1.20	0.71

To calculate the correction factor for gases not listed in the table above, use the gases' specific gravity and insert it in the formula listed below:

$$\text{Correction Factor (CF)} = \sqrt{\frac{SG_1}{SG_2}}$$

Where:

SG₁ = Specific gravity of the gas in which the capacity is published.

SG₂ = Specific gravity of the gas to be controlled.

Wide Open Flow Calculations

For wide-open orifice flow calculations use the following equations:

$$\text{For } \frac{P_1}{P_2} < 1.89 \text{ use: } Q = K\sqrt{P_2(P_1 - P_2)}$$

$$\text{For } \frac{P_1}{P_2} > 1.89 \text{ use: } Q = \frac{KP_1}{2}$$

Where: P₁ = Absolute Inlet Pressure (PSIA)

P₂ = Absolute Outlet Pressure (PSIA)

Q = Flow Rate (SCFH)

K = Orifice Coefficient (SCFH/PSI)

B42 SERIES COMMERCIAL REGULATOR, MODELS N AND R

7" w.c. (17 mbar) Capacity Table (1" Droop*)

Capacities in SCFH (m3/hr) of 0.6 S.G. gas; base conditions of 14.7 PSIA and 60° F.

Typical Capacity Info.	Inlet Pressure		Orifice Size							
	PSIG	BAR	1/8"	1/8 x 3/16"	3/16"	1/4"	5/16"	3/8"	1/2"	1/2 x 9/16"
Manufacturer Itron	0.5	0.038	65 (1.8)	70 (2.0)	90 (2.5)	140 (3.9)	175 (4.9)	210 (5.9)	270 (7.6)	280 (7.9)
Type and model B42 R	1	0.069	80 (2.3)	110 (3.1)	140 (3.9)	200 (5.7)	275 (7.8)	300 (8.5)	400 (11.3)	450 (12.7)
Regulator	2	0.1	100 (2.8)	180 (5.1)	225 (6.4)	250 (7.1)	375 (10.6)	425 (12.0)	600 (17.0)	700 (19.8)
Inlet size: 3/4" NPT	3	0.2	170 (4.8)	225 (6.4)	310 (8.8)	350 (9.9)	500 (14.2)	575 (16.3)	800 (22.7)	910 (25.8)
Outlet size 1" NPT	5	0.3	215 (6.1)	280 (7.9)	400 (11.3)	500 (14.2)	725 (20.5)	825 (23.4)	1100 (31.1)	1230 (34.8)
Spring color Green	10	0.7	340 (9.6)	390 (11.0)	625 (17.7)	850 (24.1)	1100 (31.1)	1300 (36.8)	1550 (43.9)	1720 (48.7)
Position 5	15	1.0	425 (12.0)	470 (13.3)	850 (24.1)	1200 (34.0)	1550 (43.9)	1650 (46.7)		
	20	1.4	550 (15.6)	550 (15.6)	1100 (31.1)	1450 (41.1)	1850 (52.4)	2000 (56.6)		
	30	2.1	700 (19.8)	700 (19.8)	1400 (39.6)	2000 (56.6)	2300 (65.1)			
	40	2.8	850 (24.1)	870 (24.6)	1750 (49.6)	2200 (62.3)				
	50	3.5	1000 (28.3)	1020 (28.9)	2150 (60.9)	2500 (70.8)				
	60	4.1	1150 (32.6)	1190 (33.7)	2300 (65.1)	2500 (70.8)				
	80	5.5	1500 (42.5)	1590 (45.0)	2400 (68.0)					
	100	6.9	1800 (51.0)	1870 (53.0)	2500 (70.8)					
	125	8.6	2200 (62.3)	2280 (63.0)	2500 (70.8)					

Inlet Effect A (inches w.c.)	0.13	0.13	0.20	0.36	0.67	0.77	2.20	2.20
Lock Up B (inches w.c.)	0.5	0.5	0.6	0.7	0.8	0.9	1.2	1.2

Notes:

*Individual regulator performance may vary from data shown.

Capacity in dark line generated with a brown spring.

A. Change in outlet pressure for 10 PSIG inlet pressure change.

B. Outlet pressure increase required for lock up.

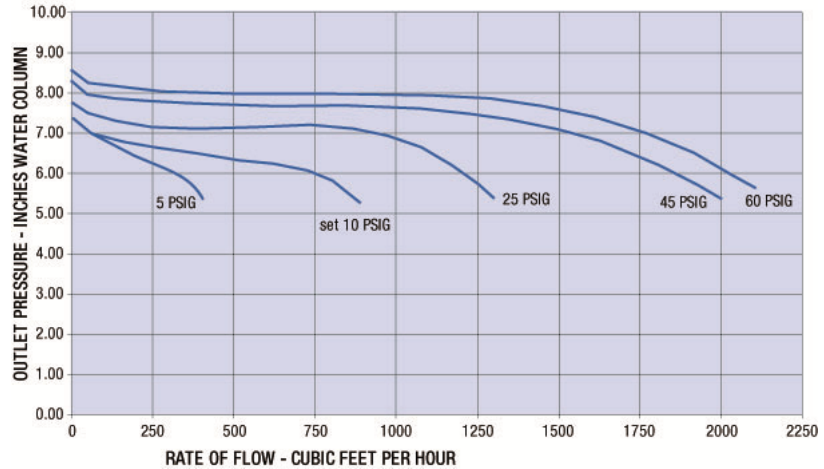
Do not operate orifice in shaded inlet pressure area.

B42 PERFORMANCE CURVES

7" w.c. Set Point

Type and model	B42 R
Inlet size	3/4" NPT
Outlet size	1" NPT
Orifice size	3/16"
Spring	Green

All test results are reported at a base of 14.7 PSIA at 60° F and with 0.6 S.G. gas.



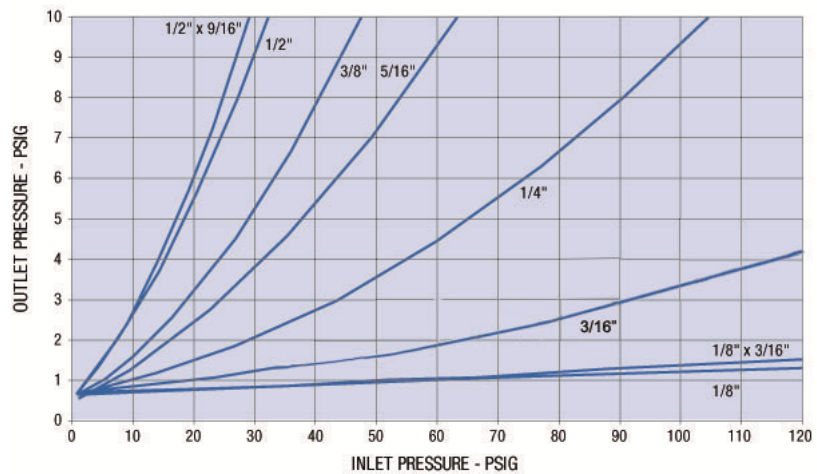
RELIEF CURVES

7" w.c. Set Point

Inlet size	3/4" NPT
Outlet size	1" NPT
Vent size	1" NPT

All test results are reported at a base of 14.7 PSIA at 60° F and with 0.6 S.G. gas.

Regulator set at 7.0" w.c. for relief testing with 40 PSI inlet pressure @ 50 SCFH as per ANSI B109.4.



B42 SERIES COMMERCIAL REGULATOR, MODELS N AND R

14" w.c. (34 mbar) Capacity Table (2" Droop*)

Capacities in SCFH of 0.6 S.G. gas; base conditions of 14.7 PSIA and 60° F.

Typical Capacity Info.		Inlet Pressure		Orifice Size							
		PSIG	BAR	1/8"	1/8 x 3/16"	3/16"	1/4"	5/16"	3/8"	1/2"	1/2 x 9/16"
Manufacturer	Itron										
Type and model	B42 N, R	1	0.069	-	-	-	190 (5.4)	270 (7.7)	280 (7.9)	550 (15.6)	575 (16.3)
Regulator		2	0.1	-	190 (5.4)	220 (6.2)	300 (8.5)	430 (12.2)	450 (12.7)	820 (23.2)	860 (24.4)
Inlet size	3/4" NPT	3	0.2	160 (4.5)	215 (6.1)	300 (8.5)	380 (10.8)	550 (15.6)	560 (15.9)	1030 (29.1)	1080 (30.6)
Outlet size	1" NPT	5	0.4	230 (6.5)	280 (7.9)	390 (11.0)	550 (15.6)	710 (20.1)	740 (21.0)	1230 (34.8)	1310 (37.1)
Spring color	Blue	10	0.7	370 (10.5)	390 (11.0)	600 (17.0)	820 (23.2)	1050 (29.7)	1130 (32.0)	1650 (45.5)	1680 (47.6)
Position	5	15	1.0	460 (13.0)	525 (14.9)	800 (22.7)	1070 (30.3)	1340 (37.9)	1460 (41.3)		
		20	1.4	610 (17.3)	700 (19.8)	1000 (28.3)	1320 (37.4)	1630 (46.1)	1800 (51.0)		
		30	2.1	800 (22.7)	890 (25.2)	1340 (37.9)	1750 (49.6)	1950 (55.2)			
		40	2.8	1030 (29.1)	1150 (32.6)	1750 (49.6)	2050 (58.1)				
		50	3.5	1200 (34.0)	1300 (36.8)	2010 (56.9)	2300 (65.1)				
		60	4.1	1310 (37.1)	1425 (40.4)	2250 (63.7)	2500 (70.8)				
		80	5.5	1900 (53.8)	2000 (56.6)	2580 (73.1)					
		100	6.9	2200 (62.3)	2275 (64.4)	2700 (76.5)					
		125	8.6	2200 (62.3)	2275 (64.4)	2900 (82.1)					

Inlet Effect A (inches w.c.)	0.12	0.12	0.22	0.33	0.50	0.71	2.3	2.3
Lock Up B (inches w.c.)	0.6	0.6	0.7	0.8	0.9	1.0	1.3	1.3

Notes:

*Individual regulator performance may vary from data shown.

A - Change in outlet pressure for 10 psig inlet pressure change.

B - Outlet pressure increase required for lock up.

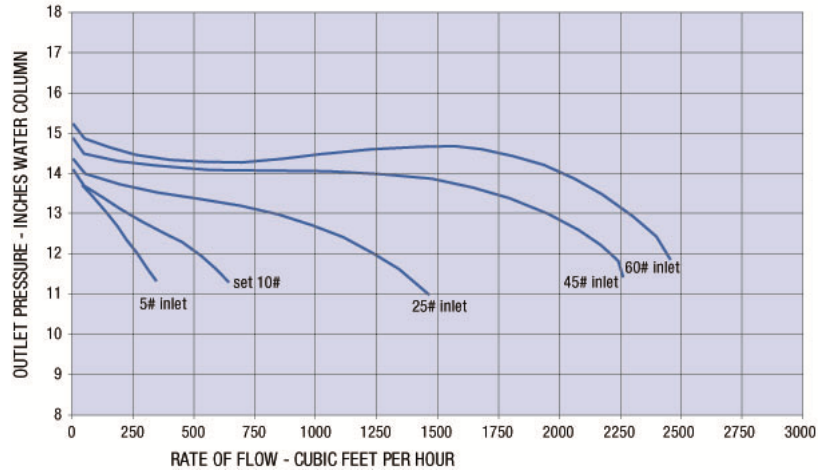
Do not operate orifice in shaded inlet pressure area.

B42 PERFORMANCE CURVES

14" w.c. Set Point

Type and model	B42 N, R
Inlet size	3/4" NPT
Outlet size	1" NPT
Orifice size	3/16"
Spring	Blue

All test results are reported at a base of 14.7 PSIA at 60° F and with 0.6 S.G. gas.



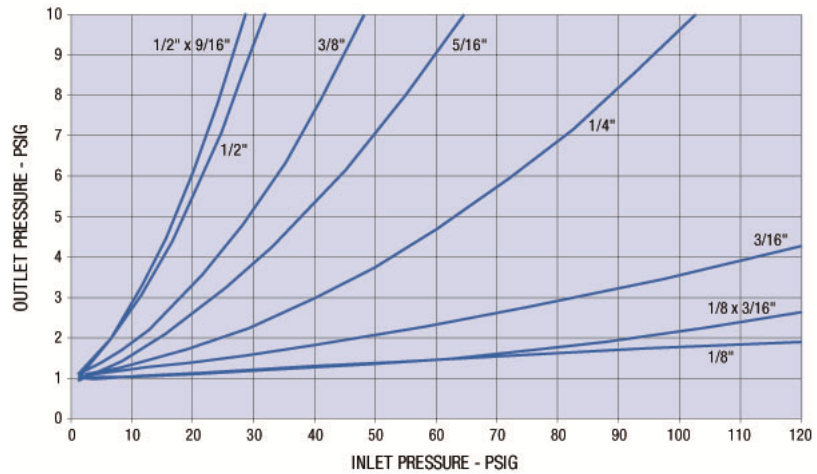
RELIEF CURVES

14" w.c. Set Point

Inlet size	3/4" NPT
Outlet size	1" NPT
Vent size	1" NPT

All test results are reported at a base of 14.7 PSIA at 60° F and with 0.6 S.G. gas.

Regulator set at 14.0" w.c. for relief testing with 10 PSIG @ 50 SCFH inlet pressure.



B42 SERIES COMMERCIAL REGULATOR, MODELS N AND R

1 PSIG (69 mbar) Capacity Table (1% Droop*)

Capacities in SCFH (m³/hr) of 0.6 S.G. gas; base conditions of 14.7 PSIA and 60° F.

Typical Capacity Info.		Inlet Pressure		Orifice Size							
		PSIG	BAR	1/8"	1/8 x 3/16"	3/16"	1/4"	5/16"	3/8"	1/2"	1/2 x 9/16"
Manufacturer	Itron	2	0.1	-	-	230 (6.5)	300 (8.5)	330 (9.3)	420 (11.9)	455 (12.9)	475 (13.5)
Type and model	B42 R	3	0.2	160 (4.5)	225 (6.4)	300 (8.5)	400 (11.3)	450 (12.7)	540 (15.3)	615 (17.4)	670 (19.0)
Inlet size	3/4" NPT	5	0.3	230 (6.5)	300 (8.5)	385 (10.9)	490 (13.9)	650 (18.4)	700 (19.8)	790 (22.4)	1035 (29.3)
Outlet size	1" NPT	10	0.7	365 (10.3)	425 (10.9)	570 (16.1)	770 (21.8)	1020 (28.9)	1130 (32.0)	1145 (32.4)	1575 (44.6)
Spring color	Silver	15	1.0	460 (13.0)	550 (16.1)	770 (21.8)	1050 (29.7)	1270 (36.0)	1410 (39.9)		
Position	5	20	1.4	570 (16.1)	675 (21.8)	980 (27.8)	1350 (38.2)	1550 (43.9)	1710 (48.4)		
		30	2.1	780 (22.1)	875 (27.8)	1330 (37.7)	1850 (52.4)	2000 (56.6)			
		40	2.8	980 (27.8)	1100 (31.2)	1760 (49.8)	2250 (63.7)				
		50	3.5	1150 (32.6)	1225 (34.7)	1240 (60.6)	2600 (73.6)				
		60	4.1	1270 (36.0)	1350 (38.2)	2400 (68.0)	2850 (80.7)				
		80	5.5	1700 (48.1)	1900 (53.8)	2890 (81.8)					
		100	6.9	1900 (53.8)	2150 (60.9)	3150 (89.2)					
		125	8.6	2100 (59.5)	2275 (64.4)	3300 (93.5)					

Inlet Effect A (PSIG)	0.01	0.01	0.01	0.02	0.03	0.04	0.05	0.05
Lock Up B (PSIG)	0.05	0.05	0.07	0.08	0.09	0.11	0.13	0.13

Notes:

*Individual regulator performance may vary from data shown.

A. Change in outlet pressure for 10 PSIG inlet pressure change.

B. Outlet pressure increase required for lock up.

Do not operate orifice in shaded inlet pressure area.

B42 SERIES RESIDENTIAL REGULATOR, MODELS N AND R

1 PSIG (69 mbar) Capacity Table (2% Droop*)

Capacities in SCFH (m3/hr) of 0.6 S.G. gas; base conditions of 14.7 PSIA and 60° F.

Typical Capacity Info.	Inlet Pressure		Orifice Size							
	PSIG	BAR	1/8"	1/8 x 3/16"	3/16"	1/4"	5/16"	3/8"	1/2"	1/2 x 9/16"
Manufacturer Itron	2	0.14	-	-	250 (7.1)	480 (13.6)	610 (17.3)	700 (19.8)	790 (22.4)	850 (24.1)
Type and model B42R	3	0.21	170 (4.8)	225 (6.4)	400 (11.3)	620 (17.6)	880 (24.9)	980 (27.8)	1070 (30.0)	1120 (31.7)
Inlet size 3/4" NPT	5	0.34	260 (7.4)	325 (9.2)	570 (16.1)	810 (22.9)	1060 (30.0)	1200 (34.0)	1265 (35.8)	1600 (45.3)
Outlet size 1" NPT	10	0.69	410 (11.6)	500 (14.2)	840 (23.8)	1270 (36.0)	1600 (45.3)	1850 (52.4)	2020 (57.2)	2220 (62.9)
Spring color Silver	15	1.03	510 (14.4)	600 (17.0)	1050 (29.7)	1600 (45.3)	2000 (56.6)	2175 (61.6)		
Position 5	20	1.38	610 (17.3)	750 (21.2)	1260 (35.7)	2020 (57.2)	2400 (68.0)	2500 (70.8)		
	30	2.07	780 (22.1)	875 (24.8)	1630 (46.2)	2600 (73.6)	2900 (82.1)			
	40	2.76	980 (27.8)	1100 (31.2)	2000 (56.6)	3000 (85.0)				
	50	3.45	1150 (32.6)	1125 (31.9)	2410 (68.2)	3300 (93.5)				
	60	4.14	1270 (36.0)	1350 (38.2)	2750 (77.9)	3450 (97.7)				
	80	5.52	1700 (48.1)	1900 (53.8)	3410 (96.6)					
	100	6.89	1900 (53.8)	2150 (60.9)	3600 (101.9)					
	125	8.62	2100 (59.5)	2275 (64.4)	3800 (107.6)					

Inlet Effect A (PSIG)	0.01	0.01	0.01	0.02	0.03	0.04	0.05	0.05
Lock Up B (PSIG)	0.05	0.05	0.07	0.08	0.09	0.11	0.13	0.13

Notes:

*Individual regulator performance may vary from data shown.

A. Change in outlet pressure for 10 PSIG inlet pressure change.

B. Outlet pressure increase required for lock up.

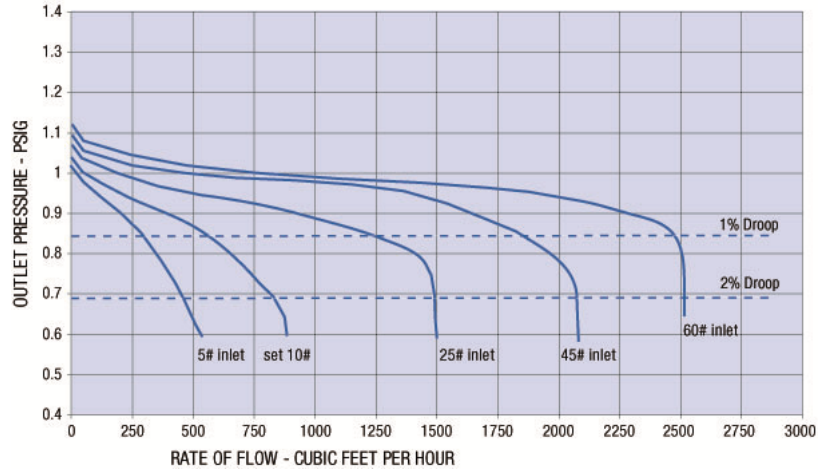
Do not operate orifice in shaded inlet pressure area.

B42 PERFORMANCE CURVES

1 PSIG Set Point

Type and model	B42 R
Inlet size	3/4" NPT
Outlet size	1" NPT
Spring	Silver

All test results are reported at a base of 14.7 PSIA at 60° F and with 0.6 S.G. gas.



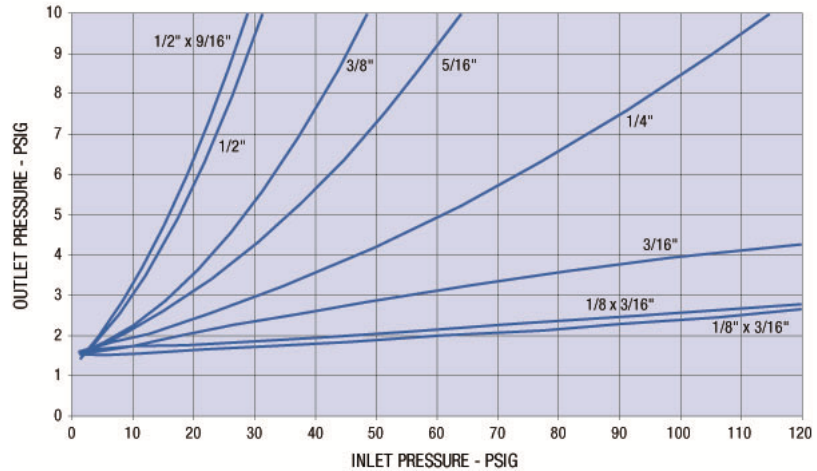
RELIEF CURVES

1 PSIG Set Point

Inlet size	3/4" NPT
Outlet size	1" NPT
Vent size	1" NPT

All test results are reported at a base of 14.7 PSIA at 60° F and with 0.6 S.G. gas.

Regulator set at 1 PSIG for relief testing with 10 PSIG @ 50 SCFH inlet pressure.



B42 SERIES RESIDENTIAL REGULATOR, MODELS N AND R

2 PSIG (0.14 mbar) Capacity Table (1% Droop*)

Capacities in SCFH (m³/hr) of 0.6 S.G. gas; base conditions of 14.7 PSIA and 60° F.

Typical Capacity Info.		Inlet Pressure		Orifice Size							
		PSIG	BAR	1/8"	1/8 x 3/16"	3/16"	1/4"	5/16"	3/8"	1/2"	1/2 x 9/16"
Manufacturer	Itron	3	0.21	100 (2.8)	120 (3.4)	160 (4.5)	200 (5.7)	270 (7.65)	280 (7.9)	320 (9.1)	340 (9.6)
Type and model	B42 R	5	0.34	135 (3.8)	170 (4.8)	230 (6.5)	290 (8.2)	400 (11.3)	420 (11.9)	4800 (13.6)	575 (16.3)
Inlet size	3/4" NPT	10	0.69	230 (6.5)	295 (8.4)	370 (10.5)	490 (13.9)	730 (20.7)	750 (21.2)	840 (23.8)	1075 (30.4)
Outlet size	1" NPT	15	1.03	300 (8.5)	415 (11.8)	500 (14.2)	650 (18.4)	1000 (28.3)	1000 (28.3)		
Spring color	Yellow/black	20	1.38	370 (10.5)	550 (15.6)	600 (17.0)	840 (23.8)	1200 (34.0)	1200 (34.0)		
Position	5	30	2.07	500 (14.2)	700 (19.8)	900 (25.5)	1230 (34.8)	1600 (45.3)			
		40	2.76	600 (17.0)	880 (25.0)	1100 (31.2)	1600 (45.3)				
		50	3.45	800 (22.7)	1090 (30.9)	1400 (39.6)	1940 (54.9)				
		60	4.14	950 (27.0)	1250 (35.4)	1600 (45.3)	2240 (63.4)				
		80	5.52	1200 (34.0)	1730 (49.0)	2000 (56.6)					
		100	6.89	1600 (45.3)	1900 (53.8)	2400 (68.0)					
		125	8.62	2100 (59.5)	2500 (70.8)	3300 (93.5)					

Inlet Effect A (PSIG)	0.01	0.01	0.02	0.03	0.03	0.04	0.06	0.06
Lock Up B (PSIG)	0.06	0.06	0.08	0.09	0.10	0.12	0.14	0.14

Notes:

*Individual regulator performance may vary from data shown.

A. Change in outlet pressure for 10 PSIG inlet pressure change.

B. Outlet pressure increase required for lock up.

Do not operate orifice in shaded inlet pressure area.

B42 SERIES RESIDENTIAL REGULATOR, MODELS N AND R

2 PSIG (0.14 mbar) Capacity Table (2% Absolute Droop*)

Capacities in SCFH (m3/hr) of 0.6 S.G. gas; base conditions of 14.7 PSIA and 60° F.

Typical Capacity Info.		Inlet Pressure		Orifice Size							
		PSIG	BAR	1/8"	1/8 x 3/16"	3/16"	1/4"	5/16"	3/8"	1/2"	1/2 x 9/16"
Manufacturer	Itron	3	0.21	130 (3.7)	150 (4.3)	240 (6.8)	320 (9.1)	450 (12.7)	490 (13.9)	560 (15.9)	645 (18.3)
Type and model	B42R	5	0.34	180 (5.1)	255 (7.2)	340 (9.6)	460 (13.0)	680 (19.3)	730 (20.7)	925 (26.2)	1085 (30.7)
Inlet size	3/4" NPT	10	0.69	320 (9.1)	420 (11.9)	600 (17.0)	850 (24.1)	1240 (35.1)	1280 (36.3)	1540 (43.6)	1710 (48.4)
Outlet size	1" NPT	15	1.03	440 (12.5)	530 (15.0)	850 (24.1)	1150 (32.6)	1600 (45.3)	1600 (45.3)		
Spring color	Yellow/black	20	1.38	530 (15.0)	590 (16.7)	1040 (29.5)	1420 (40.2)	2000 (56.6)	2000 (56.6)		
Position	5	30	2.07	710 (20.1)	770 (21.8)	1430 (40.5)	1920 (54.4)	2400 (68.0)			
		40	2.76	875 (24.8)	930 (26.3)	1700 (48.1)	2390 (67.7)				
		50	3.45	1050 (29.7)	1140 (32.3)	2100 (59.5)	2800 (79.3)				
		60	4.14	1200 (34.0)	1300 (36.8)	2400 (68.0)	3130 (88.6)				
		80	5.52	1500 (42.5)	1825 (51.7)	2700 (76.5)					
		100	6.89	1850 (52.4)	1950 (55.2)	3000 (85.0)					
		125	8.62	2100 (59.5)	2600 (73.6)	3500 (99.1)					

Inlet Effect A (PSIG)	0.01	0.01	0.02	0.03	0.03	0.04	0.06	0.06
Lock Up B (PSIG)	0.06	0.06	0.08	0.09	0.10	0.12	0.14	0.14

Notes:

*Individual regulator performance may vary from data shown.

A. Change in outlet pressure for 10 PSIG inlet pressure change.

B. Outlet pressure increase required for lock up.

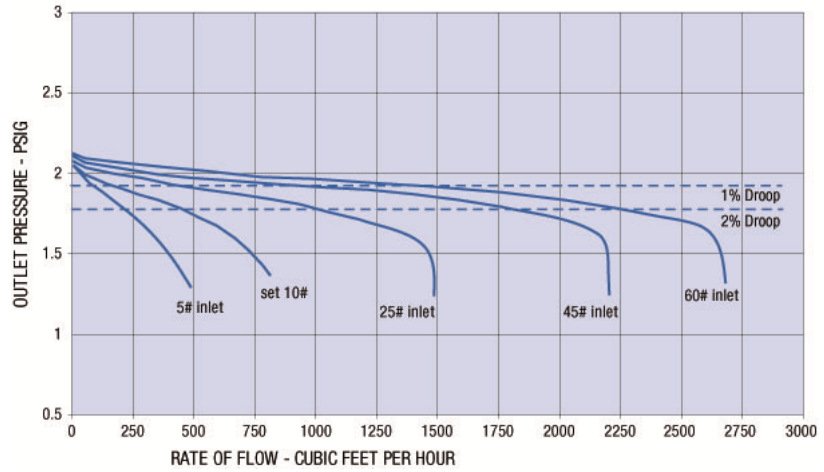
Do not operate orifice in shaded inlet pressure area.

B42 PERFORMANCE CURVES

2 PSIG Set Point

Type and model	B42 N, R
Inlet size	3/4" NPT
Outlet size	1" NPT
Spring	Yellow/black

All test results are reported at a base of 14.7 PSIA at 60° F and with 0.6 S.G. gas.



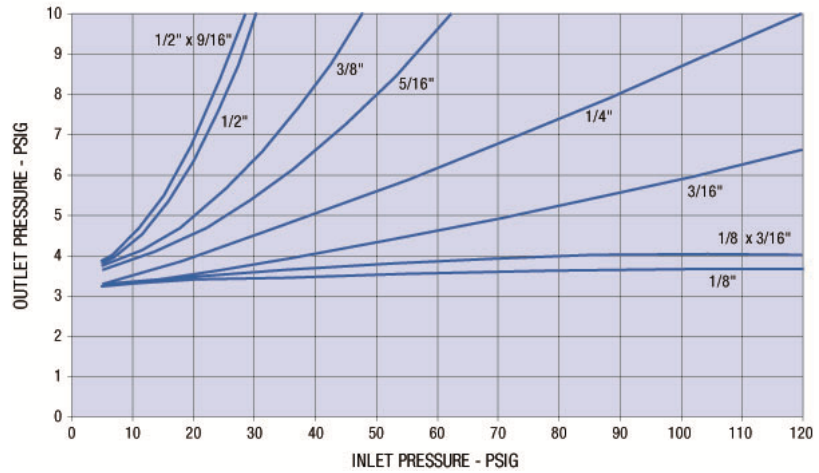
RELIEF CURVES

2 PSIG Set Point

Inlet size	3/4" NPT
Outlet size	1" NPT
Vent size	1" NPT

All test results are reported at a base of 14.7 PSIA at 60° F and with 0.6 S.G. gas.

Regulator set at 2 PSIG for relief testing with 10 PSIG @ 50 SCFH inlet pressure.



B42 SERIES RESIDENTIAL REGULATOR, MODELS N AND R

5 PSIG (0.34 mbar) Capacity Table (1% Droop*)

Capacities in SCFH (m3/hr) of 0.6 S.G. gas; base conditions of 14.7 PSIA and 60° F.

Typical Capacity Info.

Manufacturer	Itron
Type and model	B42
Inlet size	3/4" NPT
Outlet size	1" NPT
Spring color	White
Position	5

Inlet Pressure		Orifice Size					
PSIG	BAR	1/8"	3/16"	1/4"	5/16"	3/8"	1/2"
10	0.69	175 (5.0)	240 (6.8)	300 (8.5)	355 (10.1)	420 (11.9)	610 (17.3)
15	1.03	130 (3.7)	160 (4.5)	225 (6.4)	275 (7.8)	320 (9.1)	
20	1.38	160 (4.5)	195 (5.5)	260 (7.4)	305 (8.6)	380 (10.1)	
30	2.07	190 (5.4)	255 (7.2)	315 (8.9)	400 (11.3)		
40	2.76	220 (6.2)	270 (7.7)	390 (11.0)			
50	3.45	255 (7.2)	300 (8.5)	450 (12.7)			
60	4.14	175 (7.8)	390 (11.0)	550 (15.6)			
80	5.52	349 (9.9)	478 (13.5)				
100	6.89	422 (11.9)	579 (16.4)				
125	8.62	514 (14.5)	705 (19.9)				

Inlet Effect A (PSIG)	0.05	0.08	0.10	0.12	0.14	0.20
Lock Up B (PSIG)	0.08	0.10	0.11	0.12	0.14	0.16

Notes:

*Individual regulator performance may vary from data shown.

A. Change in outlet pressure for 10 PSIG inlet pressure change.

B. Outlet pressure increase required for lock up.

Do not operate orifice in shaded inlet pressure area.

B42 SERIES RESIDENTIAL REGULATOR, MODELS N AND R

5 PSIG (0.34 mbar) Capacity Table (2% Droop*)

Capacities in SCFH (m3/hr) of 0.6 S.G. gas; base conditions of 14.7 PSIA and 60° F.

Inlet Pressure		Orifice Size						
		PSIG	BAR	1/8"	3/16"	1/4"	5/16"	3/8"
Typical Capacity Info. Manufacturer Itron Type and model B42 R Inlet size 3/4" NPT Outlet size 1" NPT Spring color White Position 5	10	0.69	175 (5.0)	240 (6.8)	300 (8.5)	355 (10.1)	420 (11.9)	610 (17.3)
	15	1.03	230 (3.7)	365 (10.3)	430 (12.2)	555 (7.8)	650 (9.1)	
	20	1.38	255 (4.5)	445 (12.6)	525 (14.9)	650 (8.6)	770 (10.8)	
	30	2.07	370 (5.4)	570 (16.1)	710 (20.1)	950 (11.3)		
	40	2.76	405 (6.2)	754 (21.1)	940 (26.6)			
	50	3.45	445 (7.2)	855 (24.2)	1160 (32.9)			
	60	4.14	535 (7.8)	925 (26.1)	1450 (41.1)			
	80	5.52	714 (9.9)	1003 (28.3)				
	100	6.89	865 (12.0)	1215 (34.3)				
	125	8.62	1054 (29.8)	1480 (41.8)				

Inlet Effect A (PSIG)	0.05	0.08	0.10	0.12	0.14	0.20
Lock Up B (PSIG)	0.08	0.10	0.11	0.02	0.14	0.16

Notes:

*Individual regulator performance may vary from data shown.

A. Change in outlet pressure for 10 PSIG inlet pressure change.

B. Outlet pressure increase required for lock up.

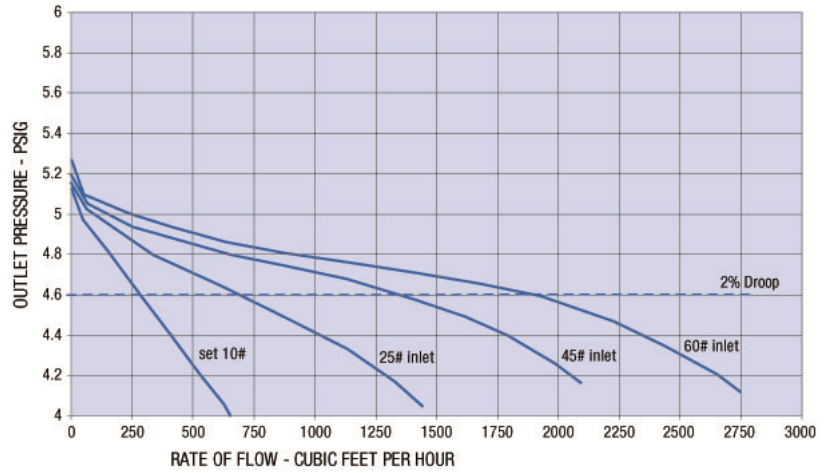
Do not operate orifice in shaded inlet pressure area.

B42 PERFORMANCE CURVES

5 PSIG Set Point

Type and model	B42 N, R
Inlet size	3/4" NPT
Outlet size	1" NPT
Spring	White

All test results are reported at a base of 14.7 PSIA at 60° F and with 0.6 S.G. gas.



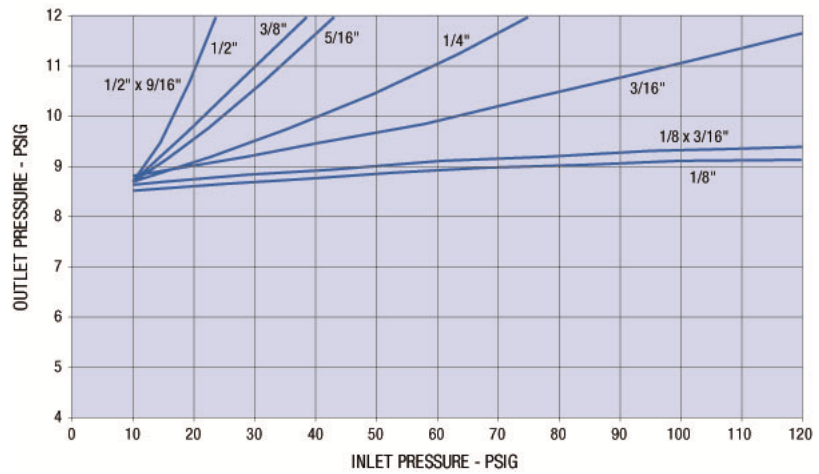
RELIEF CURVES

5 PSIG Set Point

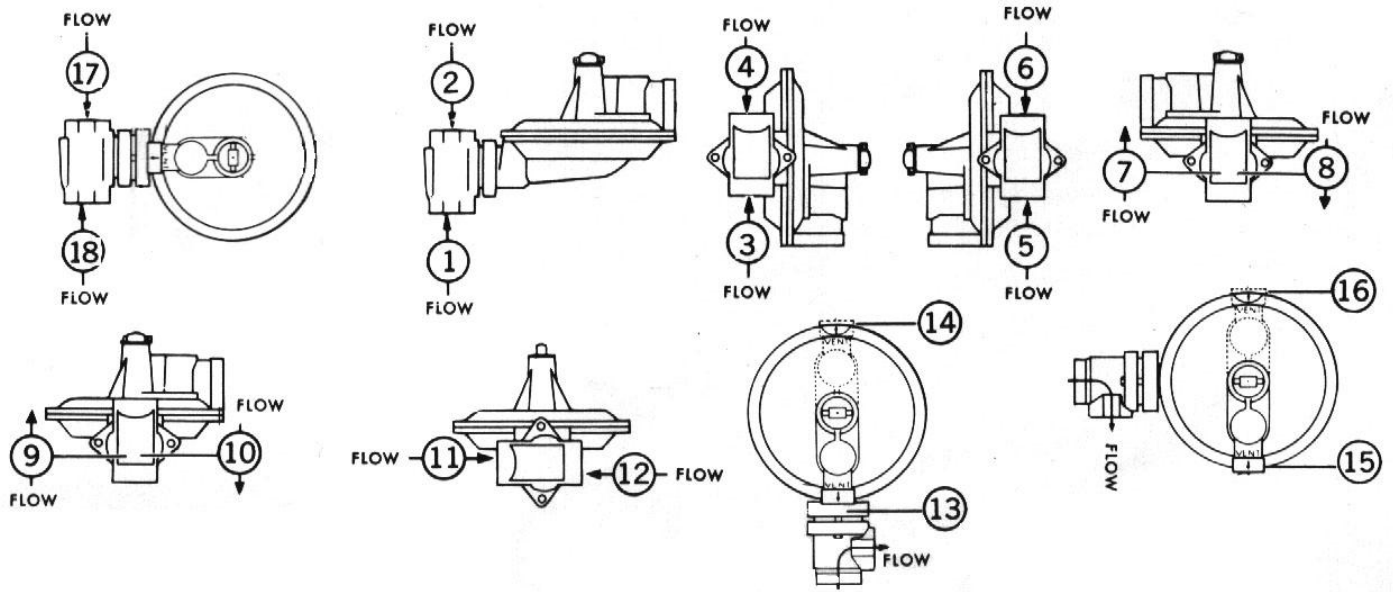
Inlet size	3/4" NPT
Outlet size	1" NPT
Vent size	1" NPT

All test results are reported at a base of 14.7 PSIA at 60° F and with 0.6 S.G. gas.

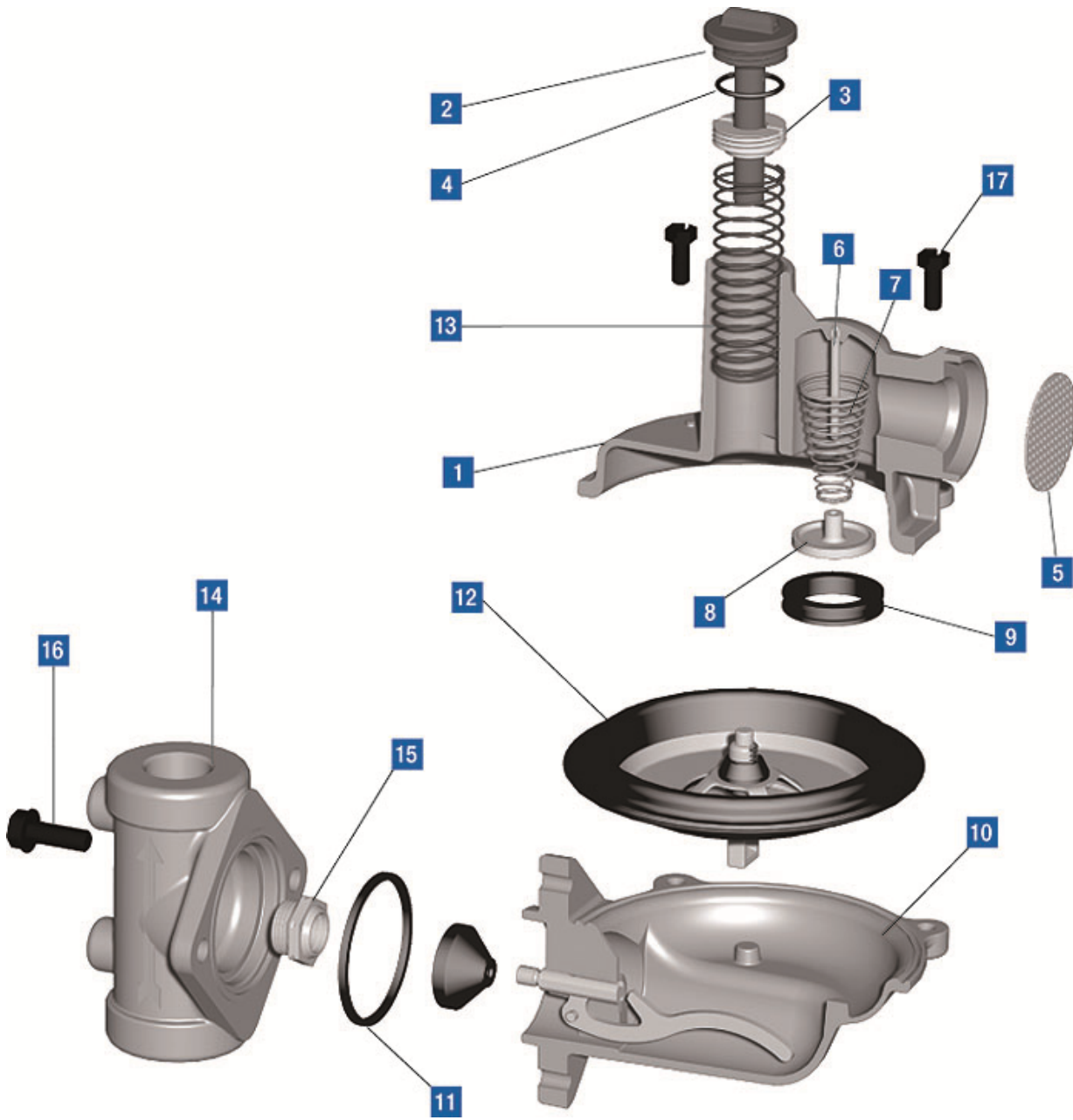
Regulator set at 5 PSIG for relief testing with 10 PSIG @ 50 SCFH inlet pressure.



ASSEMBLY POSITIONS



B42 PARTS DIAGRAM



B42 PARTS LIST

Item Number	Part Number	Quantity		Description
		N	R	
1		1	1	Upper diaphragm case
	753443			Standard, 1" vent
	753442			Standard, 3/4" vent
	753445			High pressure 1" vent
	753444			High pressure 3/4" vent
2		1	1	Seal cap
	760260			Seal cap gray
	760261			Seal cap red
	760262			Seal cap green
3	760215	1	1	Adjustment screw standard
	760217	1	1	Adjustment screw, high pressure
4	765501	1	1	Seal cap gasket
5	762933	1	1	Vent screen
6	754834	1	1	Vent valve disc pin
7	762651	1	1	Vent valve spring
8	765181	1	1	Vent valve disc
9	765685	1	1	Vent valve seat
10	715075	1	1	Lower diaphragm case assembly
11		1	1	Valve seat
	765051			Valve seat standard
	765053			Valve seat silicone
				Diaphragm assembly complete
12	720085		1	Diaphragm standard relief (R)
	720091	1		Diaphragm non-relief (N)
	761005	1	1	Upper diaphragm plate
	75606102		1	Lower diaphragm plate (R)
	75606103	1		Lower diaphragm plate (N)
	761401		1	Relief spring retaining clip
	755513	1		Nut (N)
	755801	1		Washer (N)
	762653		1	Relief spring 7" w.c. standard
	762655			Relief spring 5" w.c.
	754911	1	1	Stop stem guide bushing
13		1	1	Adjustment springs, please specify color
	762649			5 - 7" w.c. green
	762645			6 - 8" w.c. brown
	762646			8 - 14" w.c. blue
	762647			12 - 28 w.c. silver
	762650			1 - 2 PSIG yellow/black
	762131			2 - 4 PSIG yellow*, High pressure

Item Number	Part Number	Quantity		Description
		N	R	
	762137			4 - 5 PSIG white*, High pressure
14		1	1	Valve body, please specify type and size <i>Straight</i>
	750586			1/2" x 1/2" NPT
	750587			1/2" x 1/2" NPT w/ 1/8" In. PP
	750588			1/2" x 1/2" NPT w/ 1/8" Out. PP
	750527			3/4" x 3/4" NPT
	750528			3/4" x 3/4" NPT w/ 1/8" In. PP
	750529			3/4" x 3/4" NPT w/ 1/8" Out. PP
	750530			3/4" x 3/4" NPT w/ In/Out PP
	750531			3/4" x 1" NPT
	750532			3/4" x 1" NPT w/ 1/8" In. PP
	750533			3/4" x 1" NPT w/ 1/8" Out. PP
	750534			3/4" x 1" NPT w/ In/Out PP
	750567			3/4" x 1-1/4" NPT
	750568			3/4" x 1-1/4" NPT w/ 1/8" In. PP
	750569			3/4" x 1-1/4" NPT w/ 1/8" Out. PP
	750535			1" x 1" NPT
	750536			1" x 1" NPT w/ 1/8" In. PP
	750537			1" x 1" NPT w/ 1/8" Out. PP
	750538			1" x 1" NPT w/ In/Out PP
	750570			1" x 1-1/4" NPT
	750571			1" x 1-1/4" NPT w/ 1/8" In. PP
	750572			1" x 1-1/4" NPT w/ 1/8" Out. PP
	750573			1-1/4" x 1-1/4" NPT
	750574			1-1/4" x 1-1/4" NPT w/ 1/8" In. PP
	750575			1-1/4" x 1-1/4" NPT w/ 1/8" Out. PP
14		1	1	90° Angle body
	750541			3/4" x 3/4" NPT
	750542			3/4" x 3/4" NPT w/ 1/8" In. PP
	750543			3/4" x 1" NPT
	750544			3/4" x 1" NPT w/ 1/8" In. PP
	750545			1" x 1" NPT
	750546			1" x 1" NPT w/ In/Out PP Plug
				Compact bottom rear entry
	750576			3/4" x 3/4" NPT
	750578			3/4" x 3/4" NPT w/ 1/8" In. PP
	750577			3/4" x 1" NPT
	750579			3/4" x 1" NPT w/ 1/8" In. PP

Item Number	Part Number	Quantity		Description
		N	R	
15		1	1	Orifice, please specify size
	757611			1/8" aluminum
	757641			1/8" brass
	757651			1/8" x 3/16" aluminum
	757619			3/16" aluminum
	757643			3/16" brass
	757623			1/4" aluminum
	757645			1/4" brass
	757627			5/16" aluminum
	757631			3/8" aluminum
	757453			1/2" aluminum
	75767101			1/2" x 9/16" aluminum
	769417	1	1	Legal warning label
16	8006701	2	2	Valve body screw 5/16 - 18 x 7/8 LG.
17	010323	4	4	Case screw 1/4 - 20 x 3/4 LG.
	765605	1	1	Valve body gasket

Part Number	Description
799051	Adjustment tool

Part Number	Torque Specifications
010322	Case screws: 35 - 45 in. lb.
765605	Valve body screws: 85 - 115 in. lb.
	See above orifice: 450 - 600 in. lb.

VENT LINES FOR REGULATORS

When constructing vent lines to be attached to regulators installed indoors, follow a few basic rules:

- a. Never use pipe sizes smaller than the vent size; smaller pipe sizes restrict the gas flow. If a long gas run must be used, Itron advises increasing the pipe one nominal size every ten feet to keep the flow restriction as low as possible.
- b. Keep the vent line length as short as possible to minimize the restriction and reduce the vent's tendency to cause regulator pulsation.
- c. Support the vent pipe to eliminate strain on the regulator diaphragm case.
- d. Always point outdoor vent pipes in the downward position to reduce the possibility of rain, snow, sleet, and other moisture entering the pipe. Install a bug screen in the end of the pipe.
- e. Do not locate the vent line terminus near windows, fans, or other ventilation equipment. See the installation instructions furnished with the regulator.
- f. Adhere to all applicable codes and regulations.
- g. If your vent pipe causes regulator pulsation, consult your sales representative or manufacturer.
- h. Itron strongly recommends running a separate vent line for each regulator. Headers with various installed devices can cause regulator malfunction.

Caution Ensure the end of the vent line is away from ANY potential ignition sources. It is the installer's responsibility to ensure the vent line is exhausting to a safe environment.

INSTALLATION

Warning Itron does not endorse or warrant the completeness or accuracy of any third party regulator installation procedures or practices, unless otherwise provided in writing by Itron. Follow your company's standard operating procedures regarding the use of personal protection equipment (PPE). Adhere to guidelines issued by your company in addition to those given in this document when installing regulators.

- a. Remove all shipping plugs from the regulator inlet, outlet, and vent before installation.
- b. Verify the piping interior and regulator inlet and outlet are clean and free of dirt, pipe dope, and other debris. Dirt and other foreign materials entering the regulator can cause a loss of pressure control.
- c. Apply pipe joint sealant to the male pipe threads. Do not use pipe joint material on the regulator's female threads. Joint sealant could become lodged in the regulator and cause a loss of pressure control.
- d. Gas must flow through the regulator's valve body in the direction cast on the regulator body. Gas flowing in the wrong direction can overpressure and cause damage to the regulator.
- e. The pilot diaphragm casing can be mounted in any position relative to the body through a full 360° angle at 90° increments.
- f. When the regulator is installed OUTDOORS, the vent must always be positioned so that rain, snow, moisture or foreign particles cannot enter the vent opening. Itron recommends positioning the pilot vent downward to avoid entry of water or other matter which could interfere with the proper operation of the regulator. The vent should be located away from building eaves, window openings, building air intakes and above the expected snow level at the site. The vent opening should be inspected periodically to insure it does not become blocked by foreign material as outlined in DOT PHMSA-RSPA-2004-19856.
- g. When the regulator is installed INDOORS, the vent must be piped to the outside atmosphere using the shortest length of pipe, the fewest possible pipe elbows, and a pipe diameter as large as the vent size or larger. USING VENT PIPE SMALLER THAN THE VENT CONNECTION LIMITS THE REGULATOR'S INTERNAL RELIEF VALVE CAPACITY. The outlet end of the pipe must be protected from moisture and the entrance of foreign particles. The regulator should be specified by the user with the size vent and pipe threads desired to make the vent pipe connection.

START-UP PROCEDURE

- a. Mount a pressure gauge downstream of the regulator to monitor the downstream pressure.
- b. With the downstream pressure valve closed, slowly open the inlet valve. The outlet pressure should rise to slightly more than the set-point. Verify there are no leaks and all connections are tight.
- c. The regulator was pre-set at the factory to match order specifications. If necessary, adjust the outlet pressure by removing the seal cap on the top of the pilot spring housing and adjusting the ferrule or screw inside the pilot spring housing using a large flat-head screwdriver. With a small amount of gas flowing through the regulator, rotate the pilot ferrule clockwise to raise the outlet pressure or counter-clockwise to lower the outlet pressure.
- d. Replace the seal cap and check for leaks after the desired outlet pressure is achieved.

The regulator is ready for operation.

SAFETY WARNING

This product, as of the date of manufacture, is designed and tested to conform to all governmental and industry safety standards as they may apply to the manufacturer. The purchaser/user of this product must comply with all fire control, building codes, and other safety regulations governing the application, installation, operation, and general use of this regulator to avoid leaking gas hazards resulting from improper installation, startup or use of this product.

Itron strongly recommends installation by a qualified professional and periodic inspection of pressure regulators (inspections may be required by local applicable codes or regulations).

Inspections should include checking for gas quality, cycle numbers, external environmental changes, and operating conditions that impact wear on the regulator's moving parts. To ensure safe and efficient operation of this product, replace worn or damaged parts found during inspection.

LIMITED WARRANTY

Itron, Inc. 970 Highway 127 North, Owenton, Kentucky 40359-9302, warrants this gas product against defects in materials and workmanship for the earlier of one (1) year from the date the product is shipped by Itron or a period of one year from the date the product is installed by Itron at the original purchaser's site. During such one-year period, provided that the original purchaser continues to own the product, Itron will, at its sole option, repair any defects, replace the product or repay the purchase price.

» This warranty will be void if the purchaser fails to observe the procedures for installation, operation or service of the product as set forth in the Operating Manual and Specifications for the product or if the defect is caused by tampering, physical abuse or misuse of the product.

- » ITRON SPECIFICALLY DISCLAIMS ALL IMPLIED WARRANTIES INCLUDING THOSE OF MERCHANTABILITY OR OF FITNESS FOR A PARTICULAR PURPOSE. UNDER NO CIRCUMSTANCES WILL ITRON BE LIABLE FOR INCIDENTAL OR CONSEQUENTIAL DAMAGES OF ANY KIND WHATSOEVER.
- » Itron's liability for any claim of any kind, including negligence and breach of warranty for the sale and use of any product covered by or furnished, shall in no case exceed the price allocable to the product or part thereof which gives rise to the claim.
- » In the event of a malfunction of the product, consult your Itron Service Representative or Itron Inc., 970 Highway 127 North, Owenton, Kentucky 40359-9302. See Itron Terms and Conditions of Sale for the full and complete terms of the Limited Warranty.

ORDERING INFORMATION

Specify:

1. Inlet and outlet connection size and type
2. Model number
3. Outlet pressure desired
4. Pilot needed
5. Inlet pressure range
6. Type of gas and maximum capacity required
7. Assembly position number (see chart above)
8. Special requirements such as tagging, 1/8" pipe plug tap, seal wire, etc.



Itron is the world's leading provider of smart metering, data collection and utility software systems, with over 8,000 utilities worldwide relying on our solutions to responsibly and efficiently manage the delivery and use of energy and water. To realize your smarter energy and water future, start here: www.itron.com

ITRON GAS

970 Highway 127 North
Owenton, Kentucky 40359
USA

Phone: 1.800.490.0657
Fax: 1.502.484.6223

CORPORATE HEADQUARTERS

2111 N Molter Road
Liberty Lake, WA 99019
USA

Phone: 1.800.635.5461
Fax: 1.509.891.3355