



## Features & Options

- 0 to 40 ppm CO Measurement Range
- 30 ppm CO Relay Trip Level with Audible Alarm
- Field Selectable 0 to 5V, 0 to 10V or 4 to 20 mA Output
- BAPI-Stat 4 Enclosure with LED Status Indication

The BAPI Carbon Monoxide Room Sensor features a BAPI-Stat 4 Style Enclosure with Green/Red Status LED. It has a 0 to 40 ppm CO measurement range with a 30 ppm relay/audible alarm trip level. The relay is field selectable for normally closed or normally open, and the CO output level is field selectable for 0 to 5V, 0 to 10V or 4 to 20mA.

The Green/Red LED indicates unit status of Normal, Alarm, Trouble/Service or Test. The side pushbutton places the unit into Test status to verify audible alarm and LED operation. The sensing element has a typical life of 7 years.



CO Sensor in a  
BAPI-Stat 4 Style  
Enclosure



## Specifications

**Power Supply:** 24 VAC/VDC, 1.0 VA Max

**Audible Alarm:** 75 dB at 10 feet

**Relay Output:** Form "C", 0.1A , 30VDC, Jumper selectable for Normally Closed or Normally Open

**CO Measurement Range:** 0 to 40 ppm

**Relay/Alarm Trip Level:** 30 ppm CO

**Jumper Selectable Analog Output:** 0 to 5VDC, 0 to 10VDC or 4 to 20mA

**CO Sensor Technology:** Electrochemical

### LED Behavior:

#### Normal Status

Green LED illuminated, Red LED flashes every 30 seconds indicating that the alarm is powered

#### Alarm Status

Green LED extinguished, flashing Red LED and audible alarm

#### Trouble/Service Status

Green LED illuminated, Red LED flashes twice and horn "beeps" once every 30 seconds

#### Test Status

Green LED illuminated, one chirp, then Red LED flashes 4 to 5 times followed by 2 alarm signals

### Operating/Storage Temp:

40 to 100°F (4.4 to 37.8°C); 15 to 95% RH

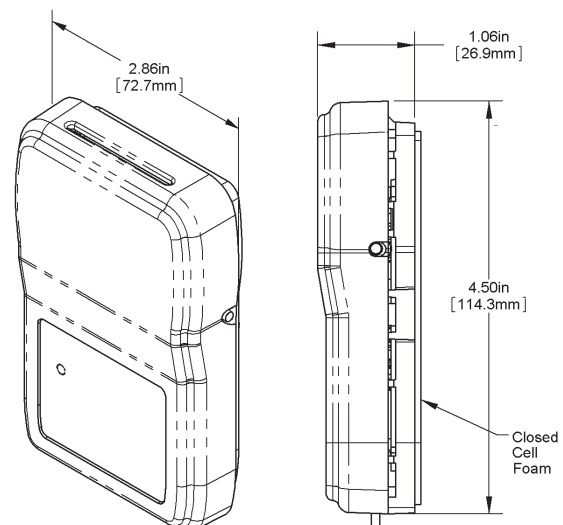
**Sensor Life:** 7 years typical

**Response Time:** 15 seconds typical

**Sensor Overload Level:** 5,000 ppm CO

**Agency:** RoHS

**Warranty:** 5 years



BAPI-Stat 4 Style Enclosure





# Carbon Monoxide Room Sensor

E19

Air Quality Sensors

## Ordering Information

<u>Part #</u>	<u>Description</u>
BA/CO-B4.....	Carbon Monoxide (CO) Sensor in a BAPI-Stat 4 Enclosure

*Note: Sensors must be installed and powered within 4 months of purchase to prevent loss of accuracy.*

