



BASO Gas Products LLC

H91-Rev B Series BASOTROL® Automatic Gas Valve

Description

H91-Rev B Series automatic gas valves are electrically operated shut-off valves that automatically open and close on an electrical demand signal from a thermostat or other controlling device. Typical applications include heaters, wall furnaces, commercial cooking equipment, water heaters, boilers, generators, commercial dryers and similar applications. The H91 can be used with natural gas or LP at pressures up to 0.5 psi. Several cover options are available.

Specifications

- Rated inlet pressure: 0.5 psi
- Permissible ambient (surface) temperature: -20° to 175°F (-40° to 79°C)

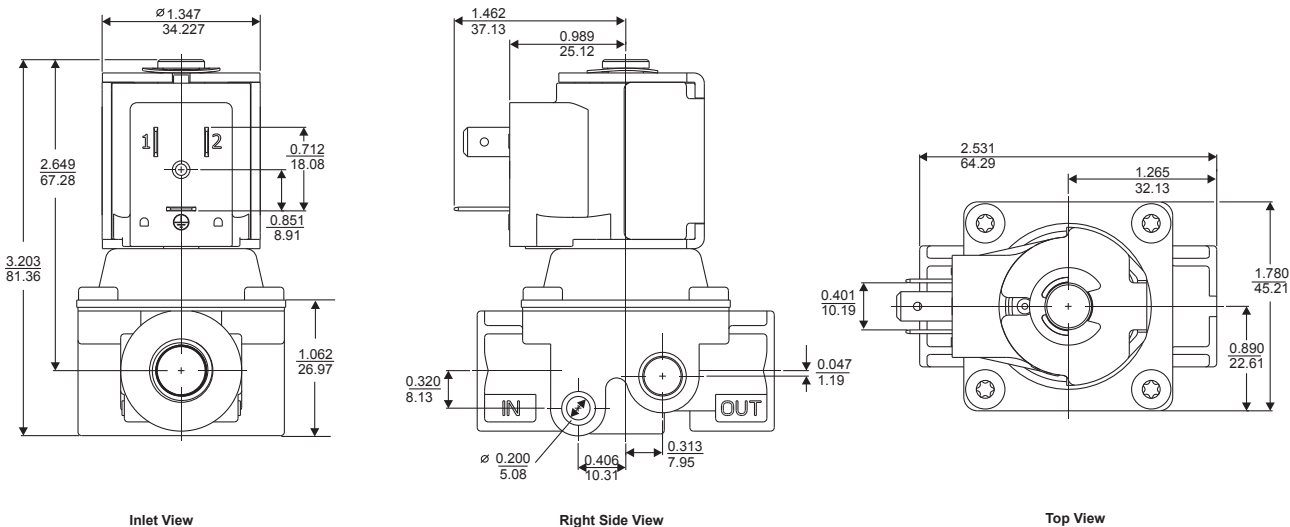
Agency Listing

- CSA (AGA/CGA) Certificate number 229521-1656058
- Australian Gas Association Certificate number 4235 (H91A_, B_, C_, D_, E_, L_ and M_ models only [excludes models H91_V])
- UL Recognized File number MH5939

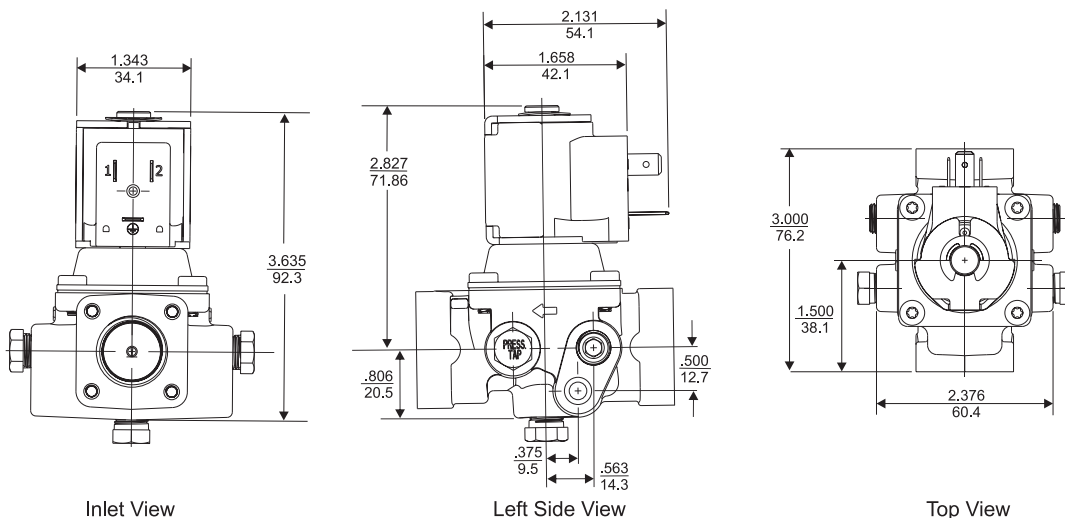
Note: DIN connectors are available; see Accessory section page 87.



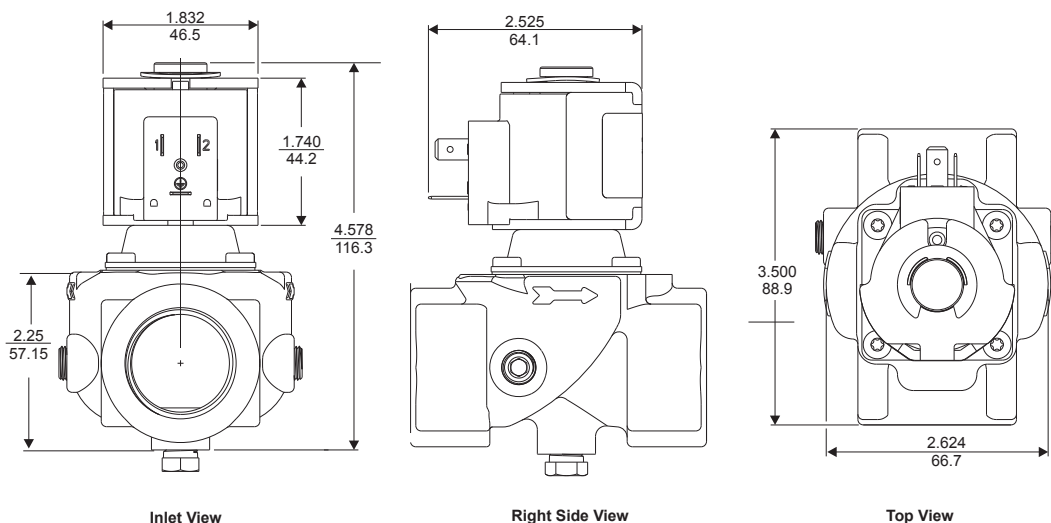
WARNING: This product can expose you to chemicals including Carbon Black, which is known to the State of California to cause Cancer. For more information, go to www.P65warnings.ca.gov



H91AA, AG, BA, CA, CG, CS, SA, SG, VA, WA, WG, WS, AAA, AAG, ABA, ABG, ACA, ACG Dimensions (in./mm)



H91DA, DB, DG, DS, EA, EG, ES, EV, JV, RS, RV, ADA, ADG, ARA, ARG Dimensions (in./mm)



H91LA, LG, MA, MG, AMA, AMG Dimensions (in./mm)

Selection Chart

Part Number	Inlet/Outlet NPT	Natural Gas Capacity Btu/hr at 1 in. Pressure Drop	Voltage (AC unless noted)	Pilot Tap NPT	Pressure Tap NPT	Leads/Tabs (when looking at the inlet)
H91AA-4C Rev B	1/8 in. x 1/8 in.	70,000	120V	None	None	30"/Conduit DIN
H91AA-5C Rev B	1/8 in. x 1/8 in.	70,000	120V	None	None	30"/Conduit DIN
H91AA-6C Rev B	1/8 in. x 1/8 in.	70,000	120V	None	1/8-27 L	30"/Conduit DIN
H91AA-7C Rev B	1/8 in. x 1/8 in.	70,000	120V	None	None	60"/Conduit DIN
H91AG-2C Rev B	1/8 in. x 1/8 in.	70,000	25V	None	None	1/4 Tab
H91BA-11C Rev B	1/4 in. x 1/4 in.	100,000	120V	None	None	90"/Conduit DIN
H91BA-3C Rev B	1/4 in. x 1/4 in.	100,000	120V	None	None	30"/Conduit DIN
H91BA-7C Rev B	1/4 in. x 1/4 in.	100,000	120V	None	None	40"/Conduit DIN
H91BG-2C Rev B	1/4 in. x 1/4 in.	100,000	25V	None	1/8-27 R	20"/Conduit DIN
H91BG-6C Rev B	1/4 in. x 1/4 in.	100,000	25V	None	1/8-27 R	1/4 Tab
H91BG-7C Rev B	1/4 in. x 1/4 in.	100,000	25V	None	1/8-27 R	1/4 Tab
H91CA-12C Rev B	3/8 in. x 3/8 in.	115,000	120V	None	None	50"/Conduit DIN
H91CA-15C Rev B	3/8 in. x 3/8 in.	115,000	120V	1/8-27 L&R	1/8-27 Bottom	30"/Conduit DIN
H91CA-16C Rev B	3/8 in. x 3/8 in.	115,000	120V	None	None	30"/Straight DIN
H91CA-18C Rev B	3/8 in. x 3/8 in.	115,000	120V	None	1/8-27 R	30"/Conduit DIN
H91CA-21C Rev B	3/8 in. x 3/8 in.	115,000	120V	None	None	1/4 Tab
H91CA-23C Rev B	3/8 in. x 3/8 in.	115,000	120V	None	1/8-27 L&R	1/4 Tab
H91CA-24C Rev B	3/8 in. x 3/8 in.	115,000	120V	None	1/8-27 L	10"/Conduit DIN
H91CA-27C Rev B	3/8 in. x 3/8 in.	115,000	120V	None	1/8-27 L&R	1/4 Tab
H91CA-28C Rev B	3/8 in. x 3/8 in.	115,000	120V	None	None	50"/Conduit DIN
H91CA-32C Rev B	3/8 in. x 3/8 in.	115,000	120V	None	1/8-27 L	1/4 Tab
H91CA-33C Rev B	3/8 in. x 3/8 in.	115,000	120V	None	1/8-27 L	1/4 Tab
H91CA-34C Rev B	3/8 in. x 3/8 in.	115,000	120V	None	1/8-27 L	10"/Conduit DIN
H91CA-35C Rev B	3/8 in. x 3/8 in.	115,000	120V	None	1/8-27 L	10"/Conduit DIN
H91CA-36C Rev B	3/8 in. x 3/8 in.	115,000	120V	None	None	10"/Conduit DIN
H91CA-37C Rev B	3/8 in. x 3/8 in.	115,000	120V	None	None	10"/Conduit DIN
H91CA-38C Rev B	3/8 in. x 3/8 in.	115,000	120V	None	1/8-27 L	10"/Conduit DIN
H91CA-39C Rev B	3/8 in. x 3/8 in.	115,000	120V	None	1/8-27 L	10"/Conduit DIN
H91CA-40C Rev B	3/8 in. x 3/8 in.	115,000	120V	None	None	10"/Conduit DIN
H91CG-12C Rev B	3/8 in. x 3/8 in.	115,000	25V	1/8-27 L&R	1/8-27 Bottom	30"/Conduit DIN
H91CG-15C Rev B	3/8 in. x 3/8 in.	115,000	25V	None	1/8-27 Bottom	1/4 Tab
H91CG-17C Rev B	3/8 in. x 3/8 in.	115,000	25V	None	None	50"/Conduit DIN
H91CG-8C Rev B	3/8 in. x 3/8 in.	115,000	25V	None	None	1/4 Tab
H91CS-10C Rev B	3/8 in. x 3/8 in.	115,000	240V	1/8-27 L&R	None	10"/Conduit DIN
H91CS-9C Rev B	3/8 in. x 3/8 in.	115,000	240V	None	None	30"/Conduit DIN
H91DA-11C Rev B	1/2 in. x 1/2 in.	240,000	120V	None	None	30"/Conduit DIN
H91DA-12C Rev B	1/2 in. x 1/2 in.	240,000	120V	None	None	1/4 Tab
H91DA-13C Rev B	1/2 in. x 1/2 in.	240,000	120V	None	None	1/4 Tab
H91DA-1C Rev B	1/2 in. x 1/2 in.	240,000	120V	None	None	30"/Conduit DIN
H91DA-6C Rev B	1/2 in. x 1/2 in.	240,000	120V	None	1/8-27 L	10"/Conduit DIN
H91DA-7C Rev B	1/2 in. x 1/2 in.	240,000	120V	None	1/8-27 Bottom	1/4 Tab
H91DA-8C Rev B	1/2 in. x 1/2 in.	240,000	120V	1/8-27 R	1/8-27 L	50"/Conduit DIN
H91DB-2C Rev B	1/2 in. x 1/2 in.	240,000	240V	None	None	1/4 Tab
H91DG-11C Rev B	1/2 in. x 1/2 in.	240,000	25V	1/8-27 R	None	1/4 Tab

Part Number	Inlet/Outlet NPT	Natural Gas Capacity Btu/hr at 1 in. Pressure Drop	Voltage (AC unless noted)	Pilot Tap NPT	Pressure Tap NPT	Leads/Tabs (when looking at the inlet)
H91DG-12C Rev B	1/2 in. x 1/2 in.	240,000	25V	None	None	30"/Conduit DIN
H91DG-13C Rev B	1/2 in. x 1/2 in.	240,000	25V	None	None	30"/Conduit DIN
H91DG-2C Rev B	1/2 in. x 1/2 in.	240,000	25V	None	None	1/4 Tab
H91DG-4C Rev B	1/2 in. x 1/2 in.	240,000	25V	None	None	30"/Conduit DIN
H91DS-1C Rev B	1/2 in. x 1/2 in.	240,000	208/240V	None	None	30"/Conduit DIN
H91DS-3C Rev B	1/2 in. x 1/2 in.	240,000	208/240V	1/8-27 R	1/8-27 L	50"/Conduit DIN
H91EA-1C Rev B	1/2 in. x 1/2 in.	311,000	120V	None	None	30"/Conduit DIN
H91EA-3C Rev B	1/2 in. x 1/2 in.	311,000	120V	None	None	30"/Straight DIN
H91EA-5C Rev B	1/2 in. x 1/2 in.	311,000	120V	1/8-27 L&R	1/8-27 L&R	30"/Conduit DIN
H91EA-6C Rev B	1/2 in. x 1/2 in.	311,000	120V	None	None	30"/Conduit DIN
H91EA-8C Rev B	1/2 in. x 1/2 in.	311,000	120V	1/8-27 L&R	1/8-27 L&R	40"/Conduit DIN
H91EG-7C Rev B	1/2 in. x 1/2 in.	311,000	25V	1/8-27 L&R	1/8-27 L&R	1/4 Tab
H91ES-1C Rev B	1/2 in. x 1/2 in.	311,000	208/240V	1/8-27 L&R	1/8-27 L&R	30"/Conduit DIN
H91ES-3C Rev B	1/2 in. x 1/2 in.	311,000	208/240V	1/8-27 L&R	1/8-27 L&R	40"/Conduit DIN
H91EV-1C Rev B	1/2 in. x 1/2 in.	311,000	12VDC	None	None	1/4 Tab
H91EV-3C Rev B	1/2 in. x 1/2 in.	311,000	12VDC	None	1/8-27 L	1/4 Tab
H91JV-1C Rev B	1/2 in. x 1/2 in.	240,000	12VDC	None	None	1/4 Tab
H91JV-2C Rev B	1/2 in. x 1/2 in.	240,000	12VDC	None	None	1/4 Tab
H91LA-13C Rev B	3/4 in. x 3/4 in.	430,000	120V	None	None	30"/Conduit DIN 4 pin term
H91LA-1C Rev B	3/4 in. x 3/4 in.	430,000	120V	None	None	30"/Conduit DIN
H91LA-2C Rev B	3/4 in. x 3/4 in.	430,000	120V	None	None	30"/Conduit DIN
H91LA-6C Rev B	3/4 in. x 3/4 in.	430,000	120V	None	1/8-27 L	10"/Conduit DIN
H91LA-8C Rev B	3/4 in. x 3/4 in.	430,000	120V	None	None	50"/Conduit DIN
H91LG-12C Rev B	3/4 in. x 3/4 in.	430,000	25V	1/8-27 R	1/8-27 Bottom	30"/Conduit DIN
H91LG-14C Rev B	3/4 in. x 3/4 in.	430,000	25V	1/8-27 R	1/8-27 Bottom	1/4 Tab
H91LG-15C Rev B	3/4 in. x 3/4 in.	430,000	25V	None	None	30"/Conduit DIN
H91LG-7C Rev B	3/4 in. x 3/4 in.	430,000	25V	None	1/8-27 Bottom	30"/Straight DIN
H91LG-8C Rev B	3/4 in. x 3/4 in.	430,000	25V	None	1/8-27 L	1/4 Tab
H91LG-9C Rev B	3/4 in. x 3/4 in.	430,000	25V	None	1/8-27 R	1/4 Tab
H91MA-2C Rev B	1 in. x 1 in.	505,000	120V	None	None	40"/Conduit DIN
H91MA-4C Rev B	1 in. x 1 in.	505,000	120V	1/8-27 L&R	1/8-27 Bottom	30"/Conduit DIN
H91MA-5C Rev B	1 in. x 1 in.	505,000	120V	None	None	30"/Conduit DIN
H91MB-1C Rev B	1 in. x 1 in.	505,000	240V	1/8-27 L&R	1/8-27 Bottom	30"/Conduit DIN
H91MG-1C Rev B	1 in. x 1 in.	505,000	25V	None	None	1/4 Tab
H91MG-3C Rev B	1 in. x 1 in.	505,000	25V	None	1/8-27 Bottom	30"/Straight DIN
H91MG-6C Rev B	1 in. x 1 in.	505,000	25V	None	1/8-27 Bottom	30"/Conduit DIN
H91MG-8C Rev B	1 in. x 1 in.	505,000	25V	1/8-27 L&R	1/8-27 Bottom	1/4 Tab
H91MG-9C Rev B	1 in. x 1 in.	505,000	25V	None	None	30"/Conduit DIN
H91RA-1C Rev B	3/4 in. x 3/4 in.	325,000	120V	1/8-27 R	1/8-27 L	50"/Conduit DIN
H91RA-2C Rev B	3/4 in. x 3/4 in.	325,000	120V	1/8-27 L&R	None	30"/Conduit DIN
H91RA-4C Rev B	3/4 in. x 3/4 in.	325,000	120V	1/8-27 L&R	None	30"/Conduit DIN
H91RA-5C Rev B	3/4 in. x 3/4 in.	325,000	120V	1/8-27 L&R	1/8-27 L&R	30"/Conduit DIN
H91RA-6C Rev B	3/4 in. x 3/4 in.	325,000	120V	None	None	1/4 Tab
H91RB-1C Rev B	3/4 in. x 3/4 in.	325,000	240	None	None	30"/Conduit DIN
H91RG-1C Rev B	3/4 in. x 3/4 in.	325,000	25V	1/8-27 L&R	1/8-27 Bottom	1/4 Tab

OEM NAME	OEM PART NUMBER	BASO PART NUMBER
HENNY PENNY	170588	BGA158CDH-1CAAC
	FP05-024	FTG79-1D
	78118	G960BADEGA-2D
	93157-001	GM-70-CLP
	93157-002	GM-70-CNG
	38446	H91DA-1C Rev B
	38468	H91DG-4C Rev B
	16219	K16BA-18H
	86938-001	Q90TH-1C
	81786	Y75AA-22H
	76978	Y75AA-3C
	88254	Y75AA-8C
	153264-002	Y90AA-2213H
	153264-001	Y90AA-2223H
	16355	Y99AX-1H
ICE MANUFACTURING LTD	710894	Y90AA-3218C
	710893.1	J999HXW-1C
	560896A	Y75AA-5C
	710894	Y90AA-3218C
IMPERIAL MANUFACTURING	0513-1	H91CA-21C Rev B
	38406	H91DB-2C Rev B
	36240	H91DG-2C Rev B
INFRARED DYNAMICS	90054	H91CG-12C Rev B
	92010	Y99AR-2H
INGERSOLL RAND	X13120423010	H91BA-11C Rev B
	X15220033010	H91RG-1C Rev B
	X13120510010	H91WG-1C Rev B
	X13130409010	J996DDJ-3523C
	X13130410010	J997DDJ-3223C
	X13116600000	L62AA-5C
	X13110169000	Y57BD-31C
	X19070252-03	Y57BD-52C
	X19070252040	Y57BD-61C
	X19070252040	Y57BD-61C
	X13130168020	Y75AA-7C
	X13130168020	Y75AA-7C
	X13110137000	Y90AA-3221C
	X15101500000	Y90AA-4211C
	X13110174000	Y99AF-3C
	X13130405010	Y99AF-4C
	X01010531010	Y99AR-1H
ITW COOKING CHARLOTTE	00-498681	H15AR-3C
	497765-2	H15AR-4C
	718327	J181EKA-7218C
	715005	K16BA-30H

OEM NAME	OEM PART NUMBER	BASO PART NUMBER
ITW FOOD EQUIPMENT - BALT	00-497122-00001	H15AB-3C
	720719	H15AR-3C
	00-718327	J181EKA-7218C
	720426	Y90AA-7218C
ITW FOOD EQUIPMENT GROUP	120413-2	G92CSA-5C Rev B
	01-065015	G93AAB-2C Rev B
	120412-2	G93ASL-4C Rev B
	328426-1	G96HGH-3C Rev B
	328426-1	G96HGH-3C Rev B
	855772	H15AB-3C
	00-497122-00001	H15AB-3C
	498025	H15AB-6C
	922008	H15AB-7C
	497765-1	H15AR-3C
	497765-2	H15AR-4C
	802743	H15DA-3C
	498158	H15QR-4C
	00-804267	H19AL-2C
	856004-1	H91ADG-1C Rev B
	00-425712-00001	H91DA-1C Rev B
	877700-11	H91EA-5C Rev B
	718327	J181EKA-7218C
	00-415074-00001	J992MDA-S2H
	01-205650	J993EHW-7218C
	230313	J997FTA-1C
	00-880828	K15DA-30H
	00-920325	K15FA-18H
	00-715005	K16BA-30H
	01-065019	K16BA-36H
	906955-00060	K16BA-60H
	01-080873	K16BA-72H
	01-206842	L62GB-3C
	00-328738	Y71GF-3
	328738	Y71GF-3
	01-065033	Y71GF-4
	715007	Y90AA-4209C
920331-12	Y90AA-4211C	
920331-00011	Y90AA-7218C	
720426	Y90AA-7218C	