



Series 70 - Electric Actuators
SALES REFERENCE DRAWINGS

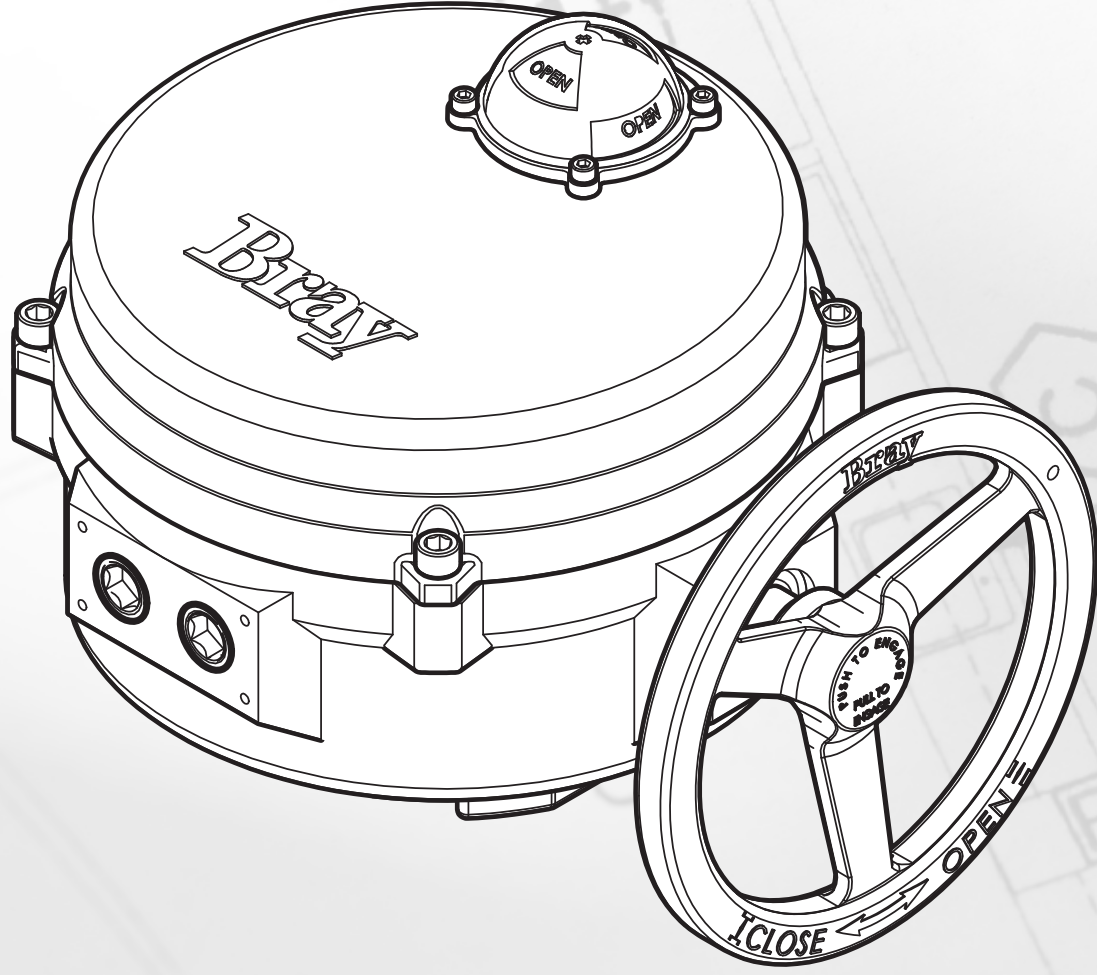


Table of Contents

Imperial Dimensions

Weatherproof NEMA Type 4, 4X & IP65

003 to 065 3

S70-130/131 and S70-180/181 4

Weatherproof NEMA Type 4, 4X & IP65 / Hazardous Location

S70-708 to S70-720 5

Metric Dimensions

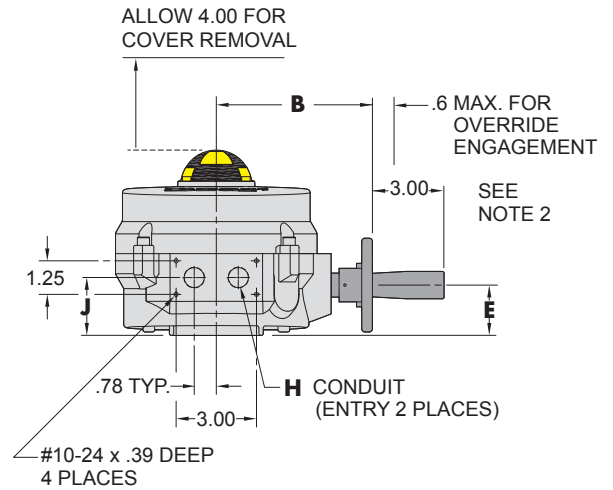
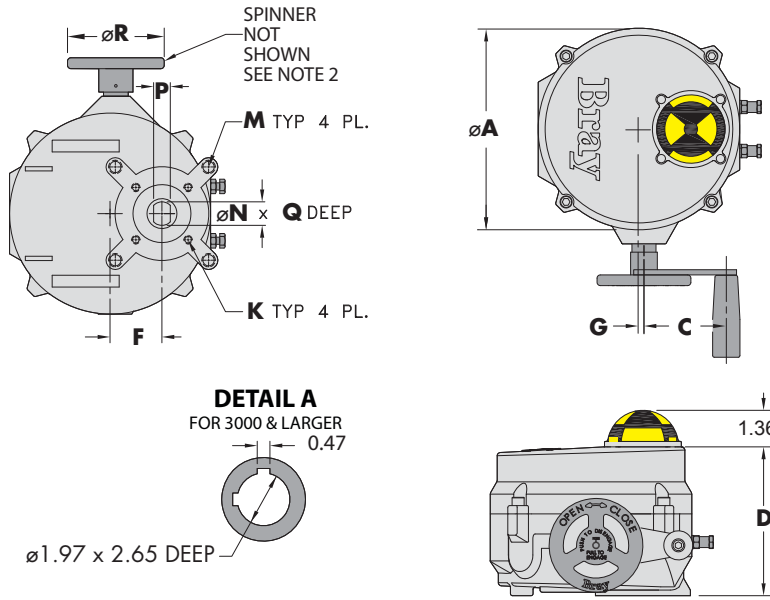
Weatherproof NEMA Type 4, 4X & IP65

003 to 065 6

70-130/131 and S70-180/181 7



Weatherproof NEMA Type 4, 4X & IP65 003 to 065



IMPERIAL DIMENSIONS - Inches

Actuator Size	Torque (in-lbs)	A	B	C	D	E	F	G	H NPT	J	K (UNC) x B.C.	M (UNC) x B.C.	N	P	Q	øR	Weight. lbs
S70-003	300	7.5	5.8	3.0	5.6	1.9	1.94	.19	1/2	2.2	5/16-18 x ø2.76	—	.75	.51	1.75	3.5	13
S70-006	600																
S70-008	800	10.1	7.8	3.7	6.6	2.4	2.69	.56	3/4	2.6	5/16-18 x ø2.76	1/2-13 x ø4.92	1.18	.87	2.22	8.0	28
S70-012	1200																
S70-020	2000																
S70-030	3000	12.1	9.5	5.5	7.2	2.9	3.19	.56	3/4	3.1	1/2-13 x ø4.92	3/4-10 x ø6.50	See Detail A			12.0	48
S70-050	5000																
S70-065	6500																

Notes:

- The duty cycle for intermittent on-off operation is 25%. The continuous duty actuator with Servo is rated for 100% modulating operation.
- Handwheel Spinner shown in drawing is available as an option.
- Dimension (N) is also available with Double Square (Star) drive.

Drawings are for reference only. Please refer to Bray ES and GA drawings on the Bray website, www.bray.com. Bray reserves the right to change product dimensions without notice.

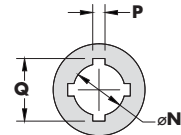
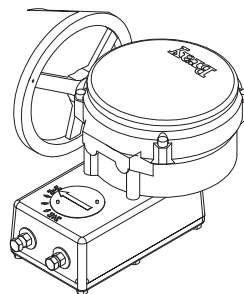
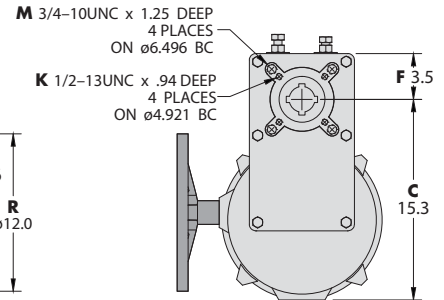
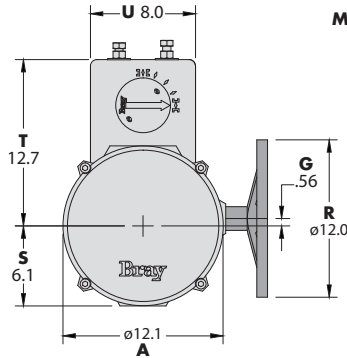
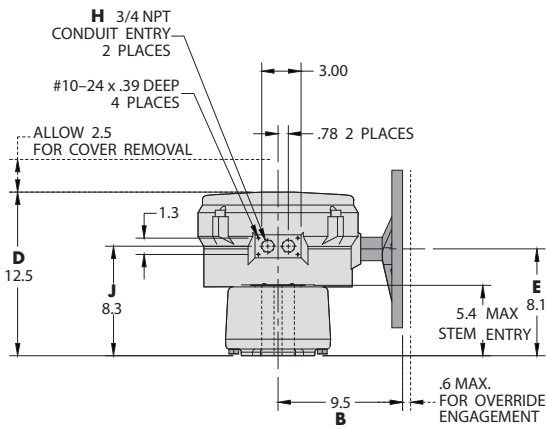
Sales Reference Drawing #70-003 to 065

Inquire/P.O. No.: _____

Bray Order No.: _____

Customer/Project: _____

Weatherproof NEMA Type 4, 4X & IP65 S70-130/131 and S70-180/181



STEM BORE DETAIL						
Size	Torque (in-lbs.)	Speed (sec.)	N	P	Q	Wt. (lbs)
70-1306	13,000	110	2.51	0.63	3.05	118
70-1316	13,000	110	1.97	0.47	2.38	118
70-1806	18,000	110	2.51	0.63	3.05	118
70-1816	18,000	110	1.97	0.47	2.38	118

IMPERIAL DIMENSIONS - Inches

Actuator Size	A	B	C	D	E	F	G	H NPT	J	K (UNC) x B.C.	M (UNC) x B.C.	N	P	Q	øR	S	T	U	Weight lbs
S70-130/131 S70-180/181	12.1	9.5	15.3	12.5	8.1	3.5	.56	3/4	8.3	1/2-13 x ø4.921 F12	3/4-10 x ø6.496 F16	See Stem Bore Detail			12.0	6.1	12.7	8.0	118

Notes:

- The duty cycle for intermittent on-off operation is 25%. The continuous duty actuator with Servo is rated for 100% modulating operation.
- Dimension (N) is also available with Double Square (Star) drive.

Drawings are for reference only. Please refer to Bray ES and GA drawings on the Bray website, www.bray.com.
Bray reserves the right to change product dimensions without notice.

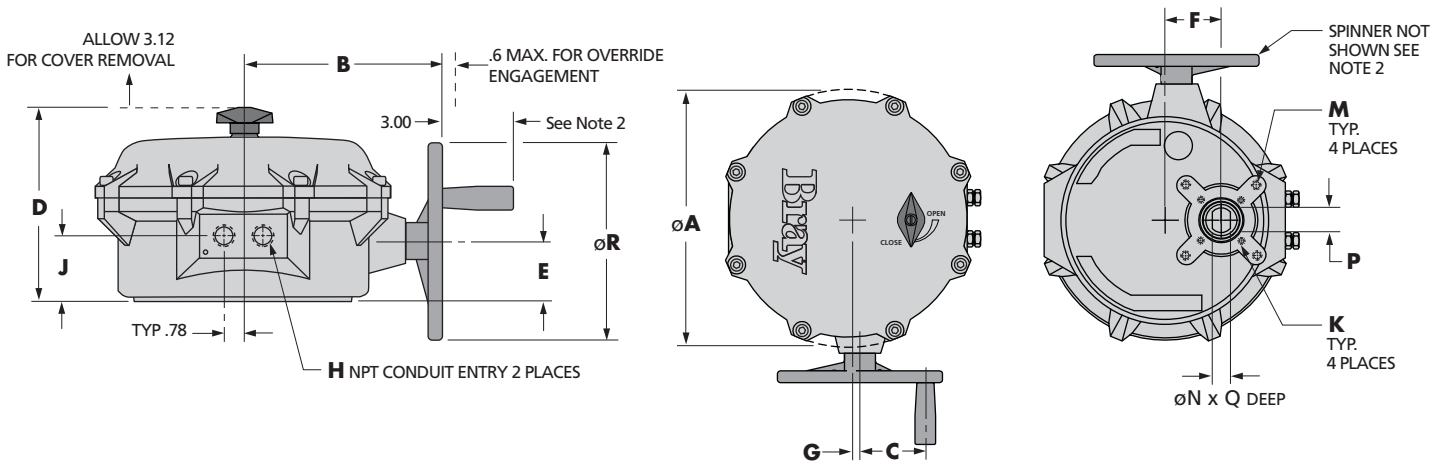
Sales Reference Drawing #70-130/131-180/181

Inquire/P.O. No.: _____

Bray Order No.: _____

Customer/Project: _____

Weatherproof NEMA Type 4, 4X & IP65 / Hazardous Location S70-708 to S70-720



IMPERIAL DIMENSIONS - Inches

Actuator Size	Torque (in-lbs)	A	B	C	D	E	F	G	H	J	K (UNC) x B.C.	M (UNC) x B.C.	N	P	Q	øR	Weight lbs
S70-708	800										5/16-18 x ø2.76 F07	1/2-13 x ø4.92 F12	1.18	.87	2.01	8.0	34
S70-712	1200	12.5	8.0	3.7	7.7	2.4	2.69	.56	3/4	2.6							
S70-720	2000																

Notes:

1. The duty cycle for intermittent on-off operation is 25%.
2. Handwheel Spinner shown in drawing is available as an option.

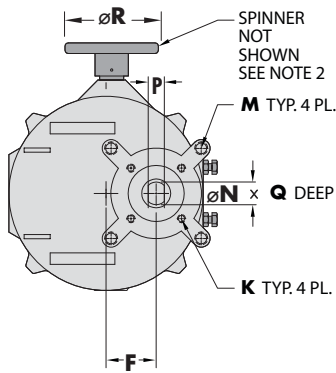
Drawings are for reference only. Please refer to Bray ES and GA drawings on the Bray website, www.bray.com.
Bray reserves the right to change product dimensions without notice.

Sales Reference Drawing #70-708/712/720

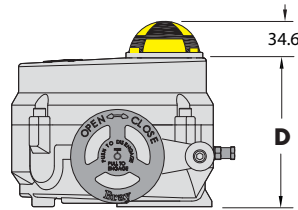
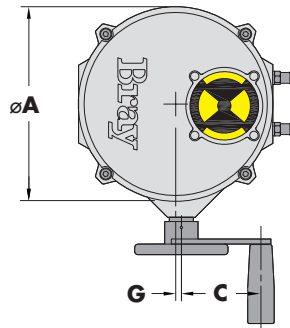
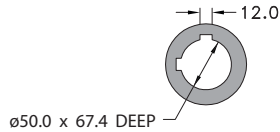
Inquire/P.O. No.: _____

Bray Order No.: _____

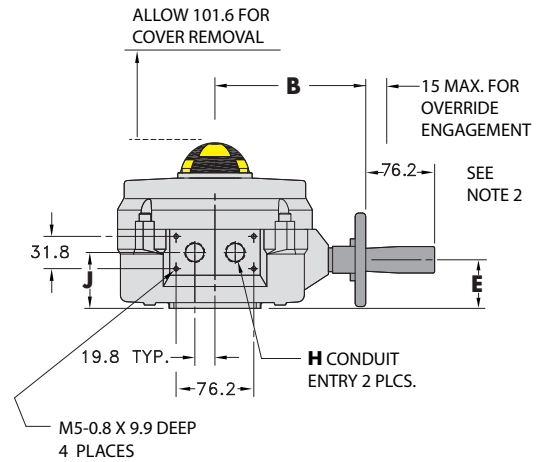
Customer/Project: _____



DETAIL A
FOR 338.95 Nm & LARGER



Weatherproof NEMA Type 4, 4X & IP65 003 to 065



METRIC DIMENSIONS - Millimeters

Actuator Size	Torque (Nm)	øA	B	C	D	E	F	G	H	J	K x B.C.	M x B.C.	N	P	Q	øR	Weight. kgs
S70-003	34	191	147	76	141	48	49.2	4.7	M20 x 1.5	55	M8 x 1.25 x ø70	—	19.0	13.0	44.5	89	6
S70-006	68																
S70-008	90	256	198	93	168	62	68.3	14.3	M25 x 1.5	66	M8 x 1.25 x ø70	M12 x 1.75 x ø125	30.0	22.0	56.3	203	13
S70-012	136																
S70-020	226																
S70-030	339	308	241	139	183	73	80.9	14.3	M25 x 1.5	78	M12 x 1.75 x ø125	M20 x 2.5 x ø165	See Detail A			305	22
S70-050	565																
S70-065	734																

Notes:

- The duty cycle for intermittent on-off operation is 25%. The continuous duty actuator with Servo is rated for 100% modulating operation.
- Handwheel Spinner shown in drawing is available as an option.
- Dimension (N) is also available with Double Square (Star) drive.

Drawings are for reference only. Please refer to Bray ES and GA drawings on the Bray website, www.bray.com. Bray reserves the right to change product dimensions without notice.

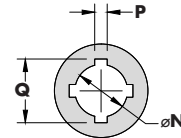
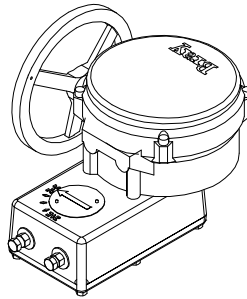
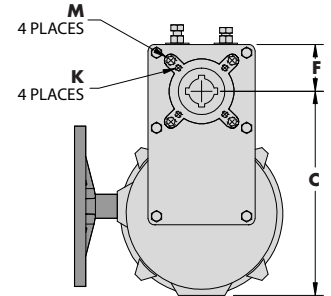
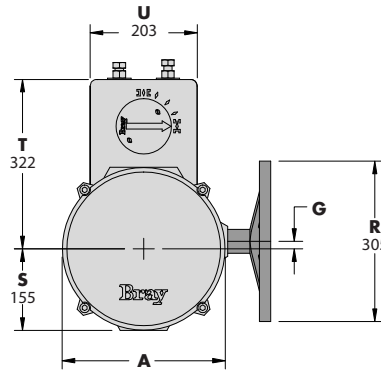
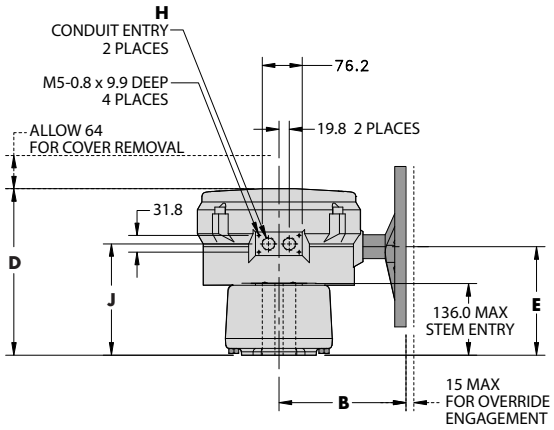
Sales Reference Drawing #70-003 to 065

Inquire/P.O. No.: _____

Bray Order No.: _____

Customer/Project: _____

Weatherproof NEMA Type 4, 4X & IP65 70-130/131 and S70-180/181



STEM BORE DETAIL						
Size	Torque (Nm)	Speed (sec.)	N	P	Q	Wt. (kg)
70-1301	1,469	110	63.6	15.9	77.5	54
70-1311	1,469	110	50.0	12.0	60.6	54
70-1801	2,034	110	63.6	15.9	77.5	54
70-1811	2,034	110	50.0	12.0	60.6	54

METRIC DIMENSIONS - Millimeters

Actuator Size	A	B	C	D	E	F	G	H	J	K (MM) x B.C.	M (MM) x B.C.	N	P	Q	øR	S	T	U	Weight. kgs
S70-130/131 S70-180/181	308	241	389	316	206	89	14.3	1.5	212	12 x 125 BC x 23.9	20 x 165 BC x 31.8	See Stem Bore Detail			305	155	322	203	54

Notes:

- The duty cycle for intermittent on-off operation is 25%. The continuous duty actuator with Servo is rated for 100% modulating operation.
- Dimension (N) is also available with Double Square (Star) drive.

Drawings are for reference only. Please refer to Bray ES and GA drawings on the Bray website, www.bray.com.
Bray reserves the right to change product dimensions without notice.

Sales Reference Drawing #70-130/131-180/181

Inquire/P.O. No.: _____

Bray Order No.: _____

Customer/Project: _____

All statements, technical information, and recommendations in this bulletin are for general use only. Consult Bray representatives or factory for the specific requirements and material selection for your intended application. The right to change or modify product design or product without prior notice is reserved. Patents issued and applied for worldwide.

Bray® is a registered trademark of
Bray International, Inc.
© 2017 Bray International, Inc. All rights reserved.

SRD_Electric Actuators_5_2017

 **Bray** CONTROLS

A Division of Bray International, Inc.
13333 Westland East Blvd.
Houston, Texas 77041
Tel: 281.894.5454 • www.bray.com
