

# STRAINERS

## Straight Through

The function of a Strainer is to remove debris from a refrigerant or oil line in order to protect the compressor and other components from damage.

### Applications

Henry Technologies offers Straight Through Strainers in ODS and SAE Flare connections for use on air conditioning and refrigeration systems. The Strainers can be used in refrigerant and oil lines to remove large debris. If greater protection is desired, Henry Technologies also offers Filters and Filter-Driers.

Henry Technologies' Strainers are suitable for use with HFC and HCFC refrigerants and their associated oils, as well as other industrial fluids non-corrosive to steel and copper.

### Main Features

- 5/8 ODS connections
- 1/4 SAE Flare connections
- Compact design
- Particle retention down to 150 microns
- 100 Mesh stainless steel screen

### Technical Specifications

Maximum working pressure = 500 PSI (34.4 Bar)

Allowable operating temperature = -20°F to +300°F (-29°C to +149°C)

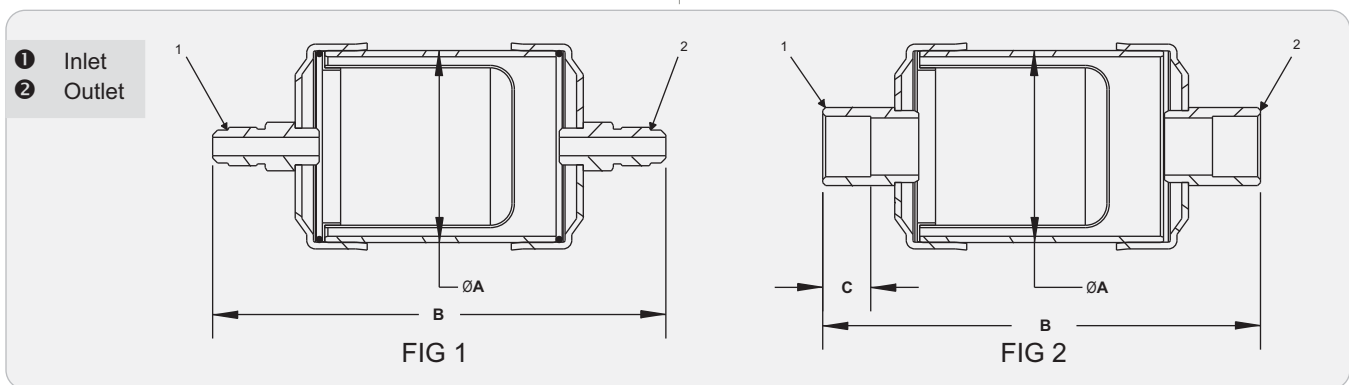
Henry Technologies' Straight Through Strainers are UL and C-UL Listed by Underwriters Laboratories, Inc.

### Materials of Construction

The shell and caps are made of steel. The ODS or SAE Flare connections are made of plated steel, and the 100 mesh strainer cartridge is made of stainless steel.

### Installation - Notes

1. The Strainers must be installed in accordance with the flow direction arrow.
2. Care should be taken to avoid excess heat while brazing the ODS series Strainers.
3. Units should be replaced after a 15 PSI (1 Bar) pressure drop has been detected. It is recommended to install valves on either side of the strainer to ease replacement.



Part No	Fig No	Conn Size (inch)	Dimensions (inch)			Screen Area (in <sup>2</sup> )	Weight (lbs)
			ØA	B	C		
891S-1/4	1	1/4 SAE	2.00	4.72	N/A	11.0	0.48
891S-5/8S	2	5/8 ODS	2.00	4.56	0.50	11.0	0.72

# STRAINERS

## Y-Type

The function of a Strainer is to remove debris from a refrigerant or oil line in order to protect the Compressor and other components from damage.

### Applications

Henry Technologies' offers Y-Type Strainers in NPT and ODS connections for use on air conditioning and refrigeration systems. The Strainers can be used in refrigerant and oil lines to remove large debris. If greater protection is desired, Henry Technologies also offers Filters and Filter-Driers.

Henry Technologies' Strainers are suitable for use with HFC and HCFC refrigerants and their associated oils, as well as other industrial fluids non-corrosive to brass, steel and synthetic rubber.

### Main Features

- NPT connections
- ODS connections
- Compact design
- Particle retention down to 150 microns
- Replaceable 100 Mesh stainless steel screen

### Technical Specifications

Maximum working pressure = 500 PSI (34.4 Bar)

Allowable operating temperature= -20°F to +200°F (-29°C to +93°C)

Henry Technologies' Y-Type Strainers are UL Listed by Underwriters Laboratories, Inc. Additionally, Y-Type Strainers are designed and registered for use in Canada. Please contact Technical Support at 1-800-627-5148 for CRN details and list of approved provinces and territories.

### Materials of Construction

The Strainer bodies are made of forged brass and the 100 Mesh strainer cartridge is made of stainless steel. The Strainer Plug is made of brass and uses a synthetic rubber seal.



### Installation - Notes

1. The Strainers must be installed in accordance with the flow direction arrow.
2. ODS series Strainers must be taken apart for brazing.
3. Screen Cartridges should be replaced after a 15 PSI (1 Bar) pressure drop has been detected.
4. Full instructions are given in the Product Instruction Sheet, included with each Strainer.

- ❶ Inlet
- ❷ Outlet
- ❸ Strainer Plug

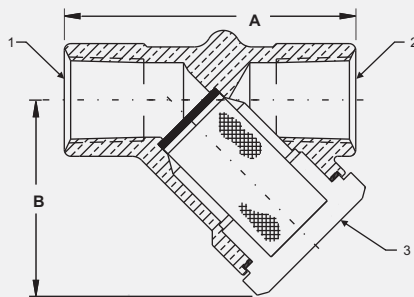


FIG 1

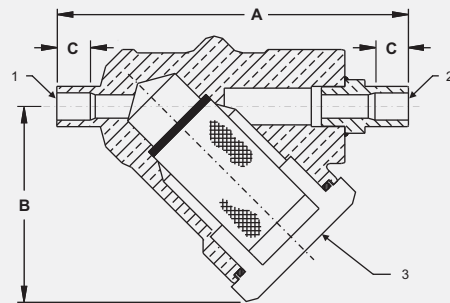


FIG 2

Part No	Fig No	Conn Size (inch)	Dimensions (inch)			Screen Area (in <sup>2</sup> )	Weight (lbs)
			A	B	C		
896-1/4PT	1	1/4NPT	2.12	1.62	N/A	2.0	0.55
896-3/8PT	1	3/8 NPT	2.12	1.62	N/A	2.0	0.51
896A-3/8S	2	3/8 ODS	3.38	1.82	0.44	3.0	0.84
896A-1/2S	2	1/2 ODS	3.44	1.82	0.56	3.0	0.82
896A-5/8S	2	5/8 ODS	3.56	1.82	0.63	3.0	0.80
896B-5/8S	2	5/8 ODS	4.50	2.55	0.63	7.0	2.50