

6

5

4

3

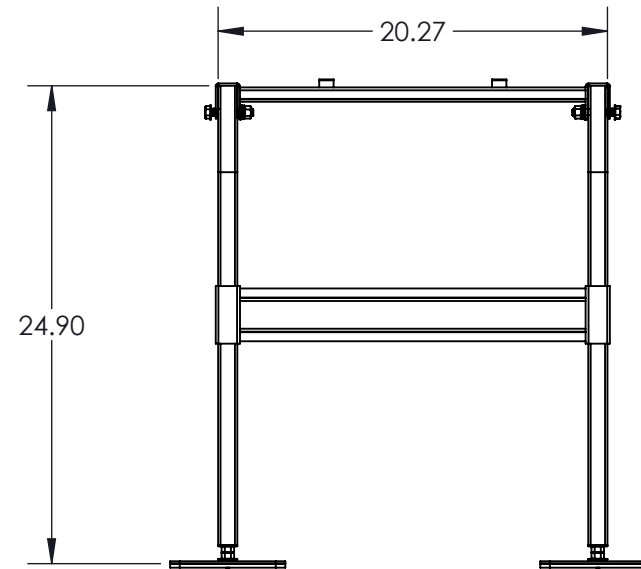
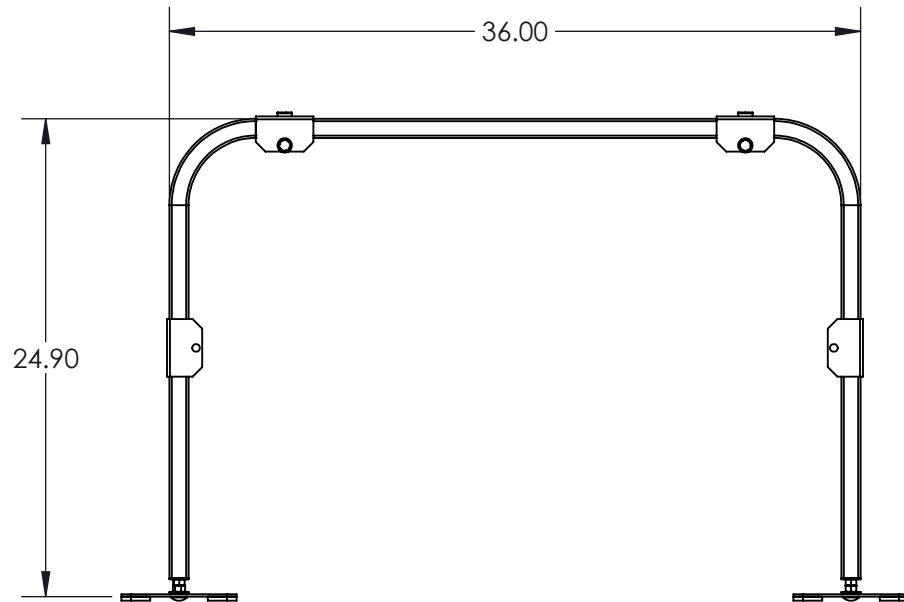
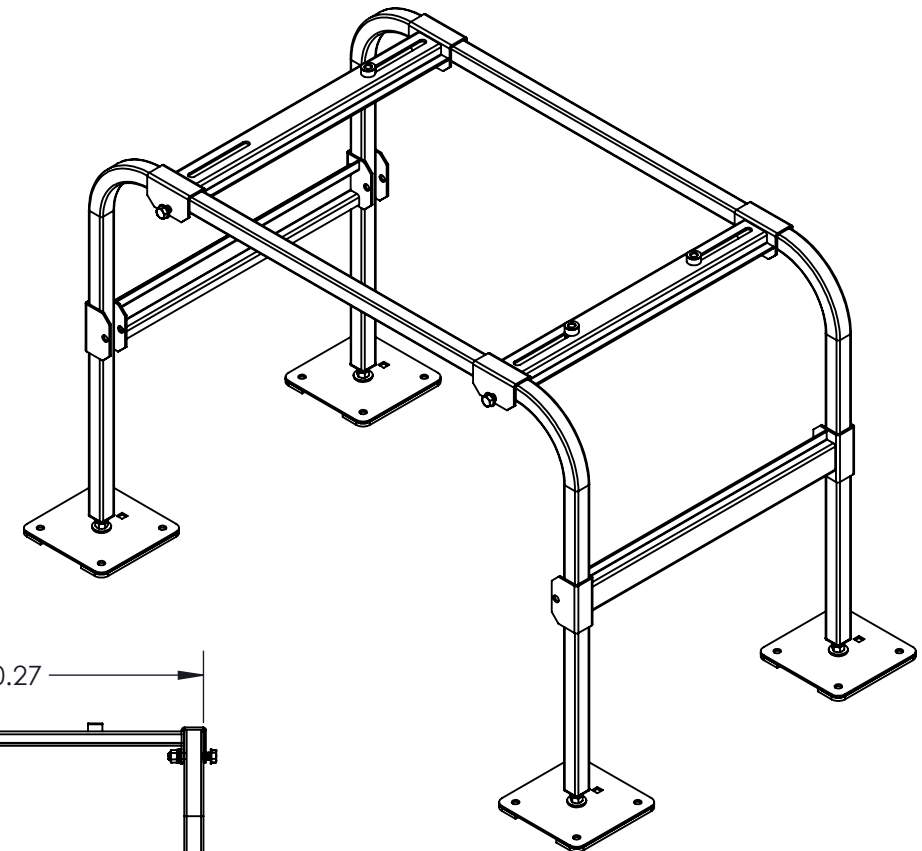
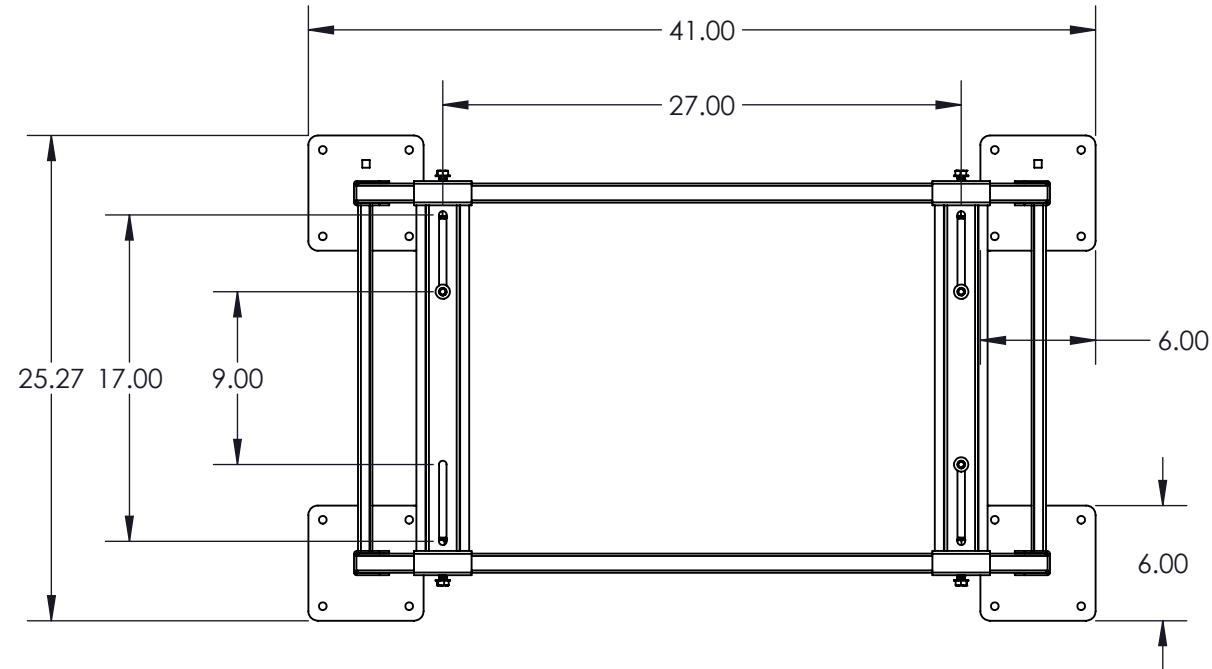
2

1

NOTES:

- 1. MATERIAL: 6063 ALUMINUM
- 2. FINISH: POWDER COAT

REVISIONS				
REV.	DESCRIPTION	DRAWN BY	APPR BY	APPR DATE



ALL DRAWINGS AND WRITTEN MATERIAL CONTAINED HEREIN ARE THE PROPERTY OF DIVERSITECH CORP AND MAY NOT BE DUPLICATED OR DISCLOSED AT ANY TIME UNLESS APPROVED IN WRITING BY DIVERSITECH CORP INTERPRET THIS DRAWING IN ACCORDANCE WITH ASME Y14.5-2009 DIMENSIONING AND TOLERANCING STANDARDS	UNLESS OTHERWISE SPECIFIED DIMENSIONS & TOLERANCES ARE IN INCHES		DEBURR ALL SHARP EDGES *DO NOT SCALE*			TITLE		SIZE
	DIM RANGE	TOLERANCE				DRAWING NUMBER		REVISION
0.02 - 0.12			±0.008	QSMS2401-PAL		B		
0.12 - 0.24	±0.012	SCALE: 1:1		SHEET 1 OF 1				
0.24 - 1.18	±0.020	THIRD ANGLE PROJECTION		DRAWN BY: apadilla CAD APPR. DWG APPR.				
1.18 - 4.72	±0.031			NAME: DATE: 20 Jul 22				
4.72 - 15.75	±0.047	DRAWING NUMBER: QSMS2401-PAL		REVISION:				
15.75 - 39.4	±0.079	TITLE:		SHEET 1 OF 1				
39.4 +	±0.118	SIZE: B		SHEET 1 OF 1				

6

5

4

3

2

1