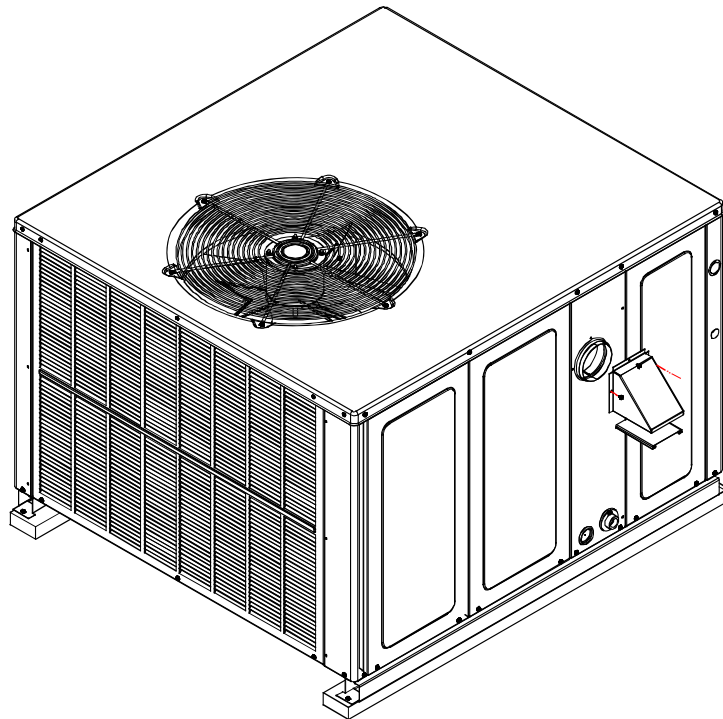




REPAIR PARTS

GPG10*A 10 SEER Package Gas Unit

GPG10240451A
GPG10240701A
GPG10300701A
GPG10360701A
GPG10360901A
GPG10360903A
GPG10420701A
GPG10420901A
GPG10480901A
GPG10480903A
GPG10481151A
GPG10600901A
GPG10600903A
GPG10601401A
GPG10601403A
GPG10601404A



Made in the USA by:
Goodman Manufacturing Company, L.P.
2550 North Loop West, Suite 400
Houston Texas 77092

www.goodmanmfg.com

RP-312D
March 2006

Important Information

Index

Functional Parts List	3
Illustration and Parts	4 - 15

Views shown are for parts illustrations only, not servicing procedures

Revision D: Updated heat exchanger service part numbers.

Text Codes:

AR - As Required

NA - Not Available

NS - Not Shown

00000000 - See Note

QTY - Quantity Example (QTY 3) (If Quantity not shown, Quantity = 1)

M - Model Example (M1) (If M Code not shown, then part is used on all Models)

Expanded Model Nomenclature:

Example
M1 - Model#1
M2 - Model#2
M3 - Model#3

Goodman Manufacturing Company, L.P. is not responsible for personal injury or property damage resulting from improper service. Review all service information before beginning repairs.

Warranty service must be performed by an authorized technician, using authorized factory parts. If service is required after the warranty expires, Goodman Manufacturing Company, L.P. also recommends contacting an authorized technician and using authorized factory parts.

Goodman Manufacturing Company, L.P. reserves the right to discontinue, or change at any time, specifications or designs without notice or without incurring obligations. Goodman® brand products are proudly made in the USA.

For assistance within the U.S.A. contact:
Consumer Affairs Department
Goodman Manufacturing Company, L.P.
7401 Security Way
Houston, Texas 77040
877-254-4729-Telephone
713-863-2382-Facsimile

For assistance outside the U.S.A. contact:
International Division
Goodman Manufacturing Company, L.P.
7401 Security Way
Houston, Texas 77040
713-861-2500-Telephone
713-863-2382-Facsimile

Functional Parts

Part

No: Description:

Part No:	Description:	Part No:	Description:
10735102	BECKETT-BURNER (QTY AR)	20269903	LIMIT 150°, AUTO-RESET
B1368016	BLOWER WHEEL (10 X 8) (M1, M2, M3)	10728342	LIMIT SWITCH 150°F (M1)
D6723303	BLOWER WHEEL (10 X 9) (M4, M5)	10728343	LIMIT SWITCH 160°F (M2, M3, M4, M5, M6, M7, M8, M9, M10, M11, M12, M13, M14, M15, M16)
B1368000	BLOWER WHEEL (11 X 10) (M6, M7, M8, M9, M10, M11, M12, M13, M14, M15, M16)	10123539	LIMIT, MANUAL RESET 240° (M1, M2, M3, M4, M6)
B945652	CAPACITOR, 10/370 (M16)	10123529	LIMIT, MANUAL RESET 300° (M5, M7, M8, M9, M10, M11, M12, M13, M14, M15, M16)
B94578700	CAPACITOR, 30/5/370 (M1, M2)	B13400248	MOTOR, 1/3 HP, 1 SPEED (M8, M9, M10, M11, M13, M14, M15)
B94575300	CAPACITOR, 35/5/370 (M3)	B13400249	MOTOR, 1/3 HP, 1 SPEED, 460V (M16)
B94575500	CAPACITOR, 40/5/370 (M6, M7)	B13400247	MOTOR, 1/4 HP, 1 SPEED (M4, M5, M6, M7, M12)
B94575600	CAPACITOR, 40/5/440 (M8, M9)	B13400251	MOTOR, 1/6 HP, 1 SPEED (M1, M2, M3)
B945650	CAPACITOR, 5/370 (M12, M13, M14, M15, M16)	11119203	MOTOR-EVAP, 1/3 HP, 4 SPEED (M1, M2, M3, M4, M5)
B94577400	CAPACITOR, 50/5/370 (M4, M5)	20028601	MOTOR-EVAP, 3/4 HP, 4 SPEED (M8, M9, M10, M11, M13, M14, M15)
B94577600	CAPACITOR, 80/5/370 (M10, M11)	20028603	MOTOR-EVAP, 3/4 HP, 4 SPEED (M6, M7, M12)
B821700	CAPACITOR, BOOT RUBBER	B13400317	MOTOR-EVAP, 3/4 HP, 4 SPEED, 460V (M16)
CR22KFPFV930	COMPRESSOR-CR22KF-PFV-230 (M1, M2)	B4089343	ORIFICE #43 (QTY AR)
CR28KFPFV930	COMPRESSOR-CR28KF-PFV-230 (M3)	20488501	SENSOR, FLAME
CR34K6PFV920	COMPRESSOR-CR34K6-PFV-220 (M4, M5)	B1219212	SINGLE FLOW FILTER DRIER, STEEL
CR35K6PFV920	COMPRESSOR-CR35K6-PFV-223 (M6, M7)	11112501	SWITCH, PRESSURE
CR35K6TF5920	COMPRESSOR-CR35K6-TF5-220 (M12)	B1141643	TRANSFORMER (M1, M2, M3, M4, M5, M6, M7, M8, M9, M10, M11, M12, M13, M14, M15)
CR42K6PFV920	COMPRESSOR-CR42K6-PFV-223 (M8, M9)	B1141653	TRANSFORMER (M16)
CR42K6TF5920	COMPRESSOR-CR42K6-TF5-220 (M13)		
ZR54K3PFV930	COMPRESSOR-ZR54K3-PFV-230 (M10, M11)		
ZR54K3TF5930	COMPRESSOR-ZR54K3-TF5-230 (M14, M15)		
ZR54K3TFD930	COMPRESSOR-ZR54K3-TFD-230 (M16)		
1262527	CRATED SERVICE COND. COIL W/DRIER (M8, M9, M10, M11, M12, M13, M14, M15, M16)		
1262524	CRATED SERVICE COND. COIL W/DRIER (M4, M5, M6, M7)		
1262525	CRATED SERVICE COND. COIL W/DRIER (M1, M2, M3)		
1262643	CRATED SERVICE EVAP COIL W/DRIER (M6, M7)		
1262648	CRATED SERVICE EVAP COIL W/DRIER (M8, M9, M10, M11, M13, M14, M15, M16)		
1262649	CRATED SERVICE EVAP COIL W/DRIER (M12)		
1262644	CRATED SERVICE EVAP COIL W/DRIER (M4, M5)		
1262645	CRATED SERVICE EVAP COIL W/DRIER (M1, M2, M3)		
B1282628	GAS VALVE (36 G)		
4305009A	HEAT EXCHANGER (2 CELL) SML (M1)		
4305020A	HEAT EXCHANGER (3 CELL) MED (M4, M6)		
4305010A	HEAT EXCHANGER (3 CELL) SML (M2, M3)		
4305011A	HEAT EXCHANGER (4 CELL) LRG (M8, M10, M12, M13, M14)		
4305008A	HEAT EXCHANGER (4 CELL) MED (M5, M7)		
4305012A	HEAT EXCHANGER (5 CELL) LRG (M9)		
4305019A	HEAT EXCHANGER (6 CELL) LRG (M11, M15, M16)		
20484703	ID BLOWER (M1, M2, M3, M4, M5, M6, M7, M8, M9, M10, M11, M12, M13, M14, M15)		
B4359000	ID BLOWER (M16)		
20261709S	IGNITOR		
B1809918S	INTEGRATED DSI MODULE		

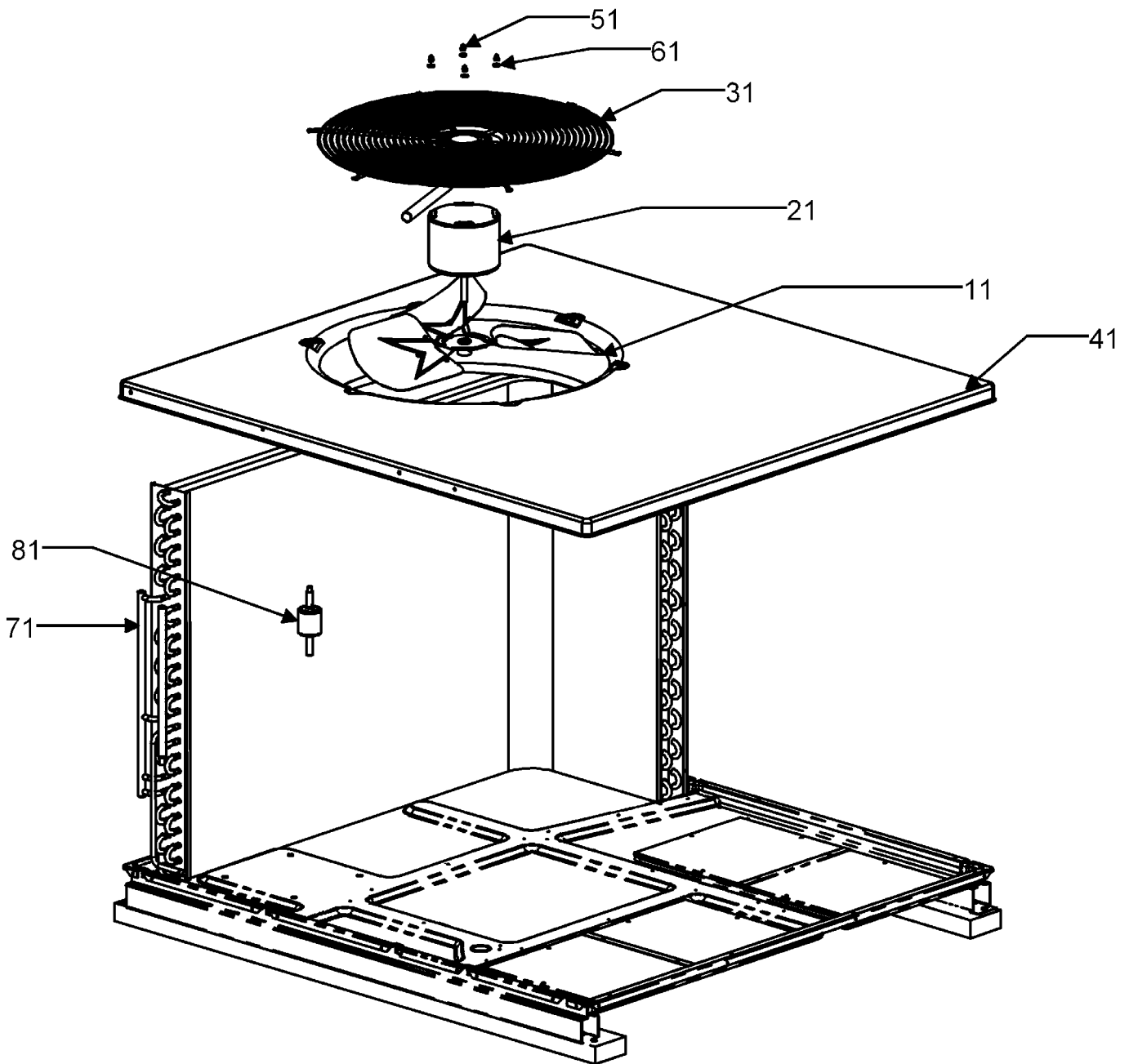
SPECIAL PARTS

IO-245	INSTALLATION AND OPERATING MANUAL
RP-312D	REPAIR PARTS MANUAL
SS-385	SPECIFICATION SHEET

Expanded Model Nomenclature

M1 - GPG10240451A
M2 - GPG10240701A
M3 - GPG10300701A
M4 - GPG10360701A
M5 - GPG10360901A
M6 - GPG10420701A
M7 - GPG10420901A
M8 - GPG10480901A
M9 - GPG10481151A
M10 - GPG10600901A
M11 - GPG10601401A
M12 - GPG10360903A
M13 - GPG10480903A
M14 - GPG10600903A
M15 - GPG10601403A
M16 - GPG10601404A

Top Panel / Fan



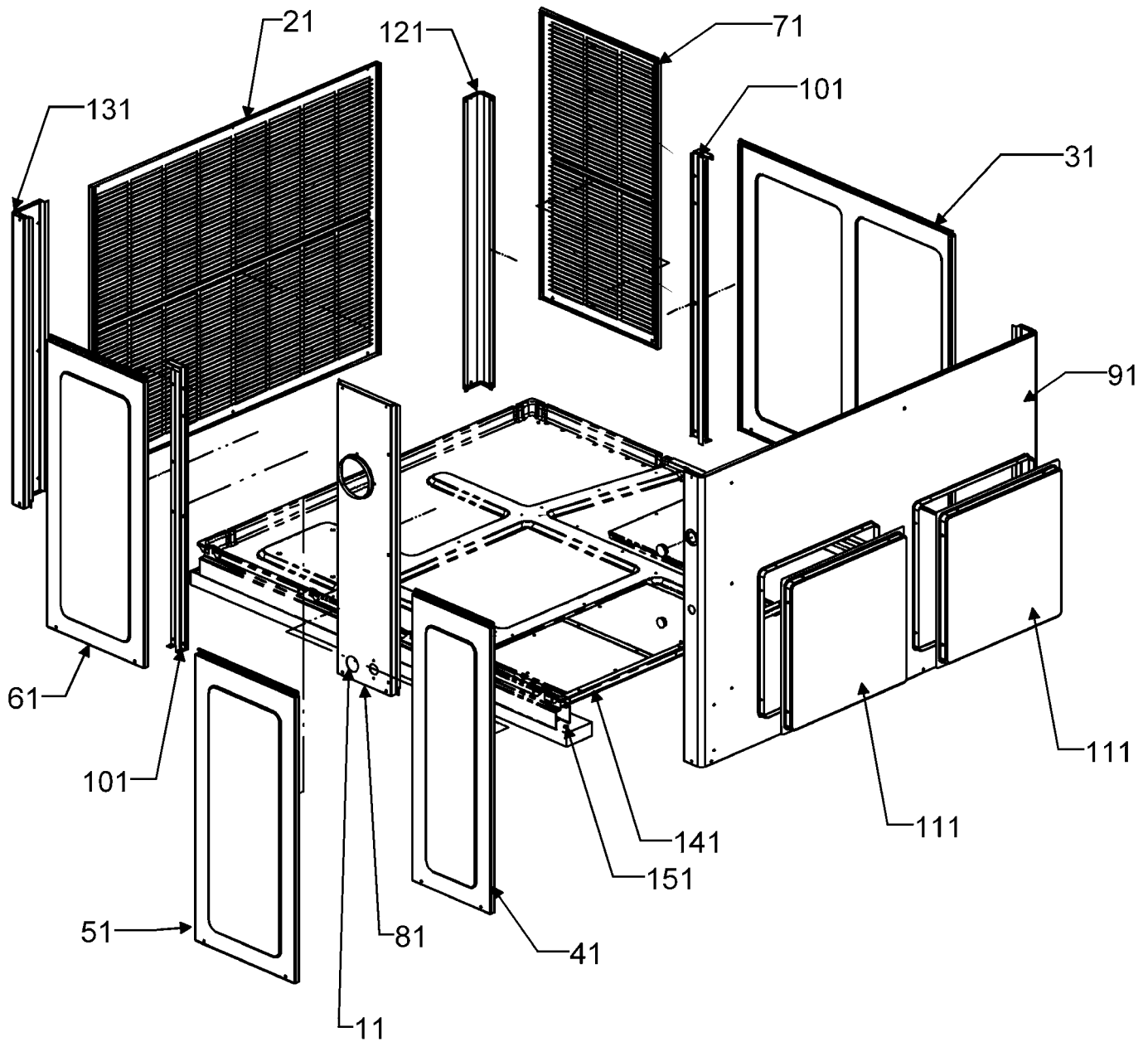
Top Panel / Fan

Ref. Part No:	No:	Description:	Ref. Part No:	No:	Description:
<i>Image 1:</i>					
11	B1086750S	FAN BLADE, 22", 3 BLADE, 24° P (M4, M5, M6, M7, M12)			
11	B1086773S	FAN BLADE, 22", 3 BLADE, 26°P (M1, M2, M3)			
11	B1086748S	FAN BLADE, 22", 3 BLADE, 30°P (M8, M9, M10, M11, M13, M14, M15, M16)			
21	B13400248	MOTOR, 1/3 HP, 1 SPEED (M8, M9, M10, M11, M13, M14, M15)			
21	B13400249	MOTOR, 1/3 HP, 1 SPEED, 460V (M16)			
21	B13400247	MOTOR, 1/4 HP, 1 SPEED (M4, M5, M6, M7, M12)			
21	B13400251	MOTOR, 1/6 HP, 1 SPEED (M1, M2, M3)			
31	B1376923	FAN GRILL GUARD, LRG			
41	20466001PDG	TOP-OUTER CASE W/PAINT			
51	B1783803	NUT, ACORN, 5/16 (QTY 4)			
61	B1392826	WASHERS, FLAT (QTY 4)			
71	1262524	CRATED SERVICE COND. COIL W/DRIER (M4, M5, M6, M7)			
71	1262525	CRATED SERVICE COND. COIL W/DRIER (M1, M2, M3)			
71	1262527	CRATED SERVICE COND. COIL W/DRIER (M8, M9, M10, M11, M12, M13, M14, M15, M16)			
81	B1219212	SINGLE FLOW FILTER DRIER, STEEL			

Expanded Model Nomenclature

M1 - GPG10240451A
M2 - GPG10240701A
M3 - GPG10300701A
M4 - GPG10360701A
M5 - GPG10360901A
M6 - GPG10420701A
M7 - GPG10420901A
M8 - GPG10480901A
M9 - GPG10481151A
M10 - GPG10600901A
M11 - GPG10601401A
M12 - GPG10360903A
M13 - GPG10480903A
M14 - GPG10600903A
M15 - GPG10601403A
M16 - GPG10601404A

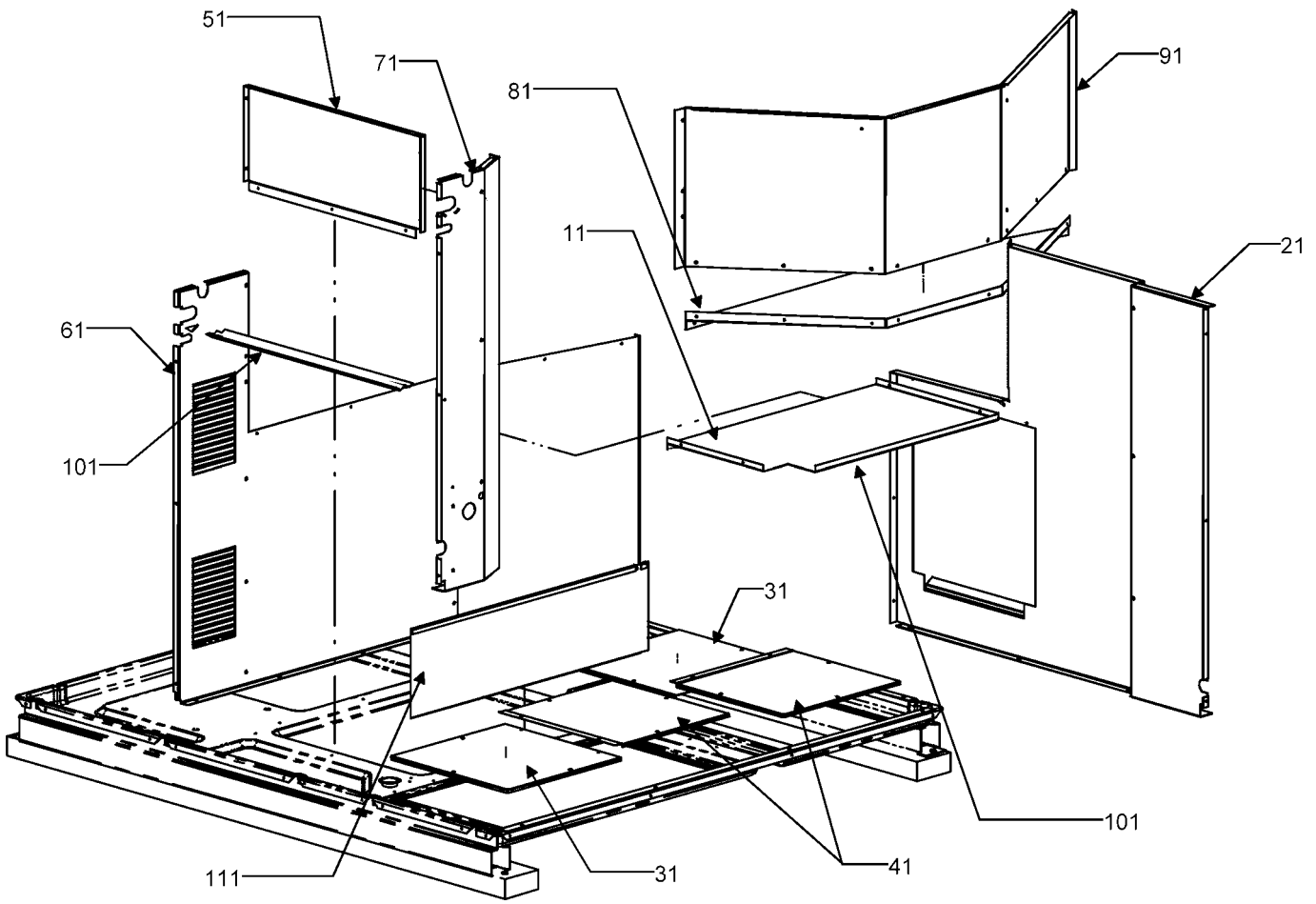
Outer Chassis



Outer Chassis

Ref. Part No:	No:	Description:	Ref. Part No:	No:	Description:
<i>Image 1:</i>			121	20464302PDG	CORNER-POST HAIRPIN END W/PAINT 40" (M8, M9, M10, M11, M12, M13, M14, M15, M16)
11	B1910010	GROMMET GAS LINE	131	20464203PDG	CORNER-POST COMPRESSOR END W/PAINT 27" (M1, M2, M3)
21	20464403PDG	PANEL-COND, LOUVERED W/PAINT 27" (M1, M2, M3)	131	20464201PDG	CORNER-POST COMPRESSOR END W/PAINT 32" (M4, M5, M6, M7)
21	20464401PDG	PANEL-COND, LOUVERED W/PAINT 32" (M4, M5, M6, M7)	131	20464202PDG	CORNER-POST COMPRESSOR END W/PAINT 40" (M8, M9, M10, M11, M12, M13, M14, M15, M16)
21	20464402PDG	PANEL-COND, LOUVERED W/PAINT 40" (M8, M9, M10, M11, M12, M13, M14, M15, M16)	141	20463901	BASEPAN
31	20464811PDG	DOOR-BLOWER, W/PAINT 27" (M1, M2, M3)	151	20464001	BASEPAN RAILS (QTY 2)
31	20464801PDG	DOOR-BLOWER, W/PAINT 32" (M4, M5, M6, M7)	NS	B4313000	FUEL HOOD ASSEMBLY
31	20464806PDG	DOOR-BLOWER, W/PAINT 40" (M8, M9, M10, M11, M12, M13, M14, M15, M16)	Expanded Model Nomenclature		
41	20464812PDG	DOOR-EVAP/CONTROL, W/PAINT 27" (M1, M2, M3)	M1 - GPG10240451A M2 - GPG10240701A M3 - GPG10300701A M4 - GPG10360701A M5 - GPG10360901A M6 - GPG10420701A M7 - GPG10420901A M8 - GPG10480901A M9 - GPG10481151A M10 - GPG10600901A M11 - GPG10601401A M12 - GPG10360903A M13 - GPG10480903A M14 - GPG10600903A M15 - GPG10601403A M16 - GPG10601404A		
41	20464802PDG	DOOR-EVAP/CONTROL, W/PAINT 32" (M4, M5, M6, M7)			
41	20464807PDG	DOOR-EVAP/CONTROL, W/PAINT 40" (M8, M9, M10, M11, M12, M13, M14, M15, M16)			
51	20464818PDG	DOOR-HEAT EXCHANGER, W/PAINT 27" (M1, M2, M3)			
51	20464803PDG	DOOR-HEAT EXCHANGER, W/PAINT 32" (M4, M5, M6, M7)			
51	20464808PDG	DOOR-HEAT EXCHANGER, W/PAINT 40" (M8, M9, M10, M11, M12, M13, M14, M15, M16)			
61	20464814PDG	DOOR-COMPRESSOR, W/PAINT 27" (M1, M2, M3)			
61	20464804PDG	DOOR-COMPRESSOR, W/PAINT 32" (M4, M5, M6, M7)			
61	20464809PDG	DOOR-COMPRESSOR, W/PAINT 40" (M8, M9, M10, M11, M12, M13, M14, M15, M16)			
71	20464815PDG	DOOR-CONDENSOR, W/PAINT 27" NON-LOUVERED (M1, M2, M3)			
71	20467701PDG	DOOR-CONDENSOR, W/PAINT 32" LOUVERED (M4, M5, M6, M7)			
71	20467702PDG	DOOR-CONDENSOR, W/PAINT 40" LOUVERED (M8, M9, M10, M11, M12, M13, M14, M15, M16)			
81	20466103PDG	UTILITY PANEL, W/PAINT 27" (M1, M2, M3)			
81	20466101PDG	UTILITY PANEL, W/PAINT 32" (M4, M5, M6, M7)			
81	20466102PDG	UTILITY PANEL, W/PAINT 40" (M8, M9, M10, M11, M12, M13, M14, M15, M16)			
91	20465003PDG	DUCT, PANEL W/PAINT 27" (M1, M2, M3)			
91	20465001PDG	DUCT, PANEL W/PAINT 32" (M4, M5, M6, M7)			
91	20465002PDG	DUCT, PANEL W/PAINT 40" (M8, M9, M10, M11, M12, M13, M14, M15, M16)			
101	20464103	POST-PANEL SUPPORT 28" (QTY 2) (M1, M2, M3)			
101	20464101	POST-PANEL SUPPORT 32" (QTY2) (M4, M5, M6, M7)			
101	20464102	POST-PANEL SUPPORT 38" (QTY 2) (M8, M9, M10, M11, M12, M13, M14, M15, M16)			
111	20464501PDG	COVER-DUCT BACK W/PAINT 27" & 32" (M1, M2, M3, M4, M5, M6, M7)			
111	20464502PDG	COVER-DUCT BACK W/PAINT 40" (M8, M9, M10, M11, M12, M13, M14, M15, M16)			
121	20464303PDG	CORNER-POST HAIRPIN END W/PAINT 27" (M1, M2, M3)			
121	20464301PDG	CORNER-POST HAIRPIN END W/PAINT 32" (M4, M5, M6, M7)			

Partition Panels



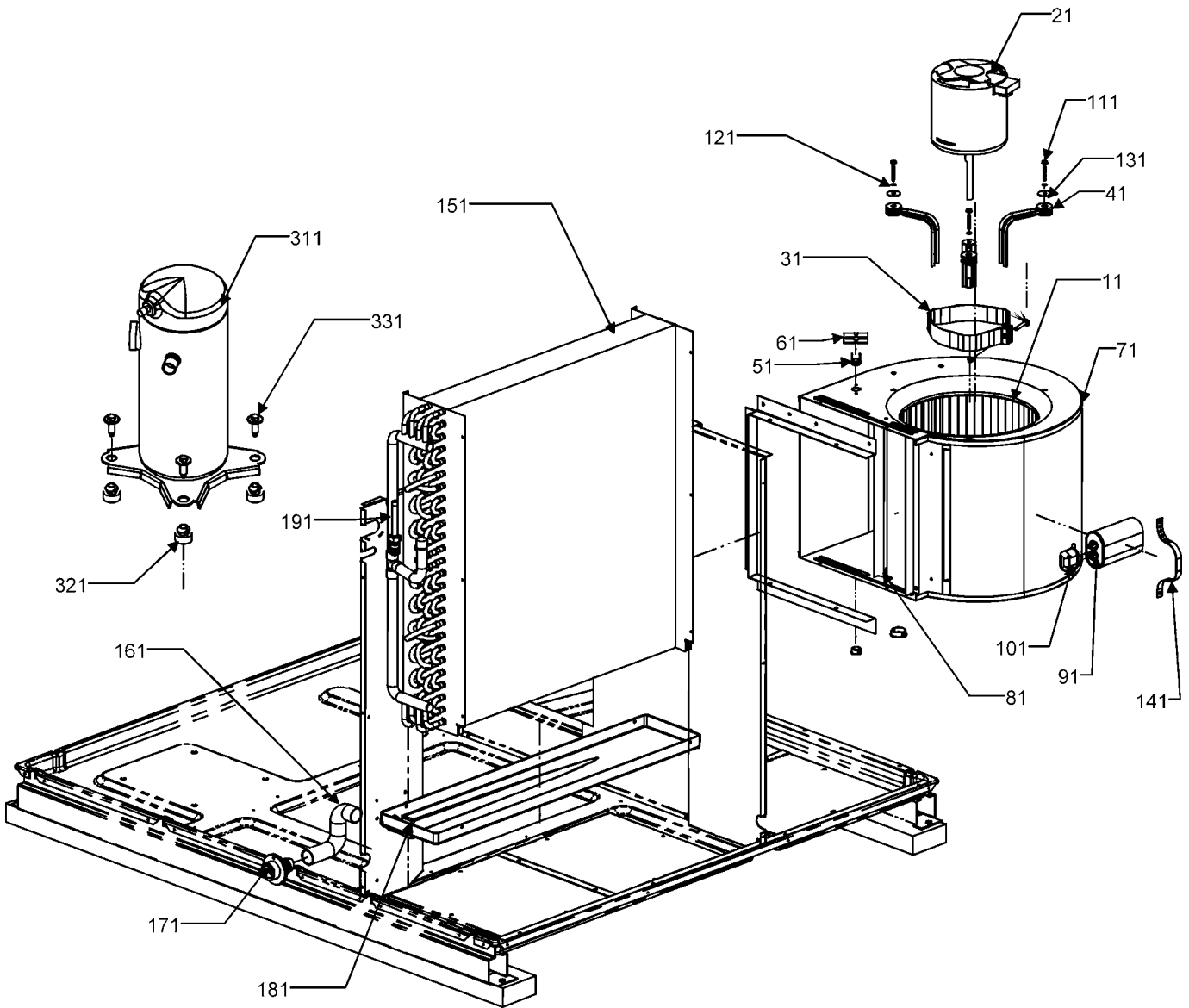
Partition Panels

Ref. Part No:	No:	Description:	Ref. Part No:	No:	Description:
<i>Image 1:</i>					
11	20472501	SHEILD, HT. EXCH. TUBES			
21	20465303	DIVIDER-BLOWER 28" (M1, M2, M3)			
21	20465301	DIVIDER-BLOWER 32" (M6, M7)			
21	20465304	DIVIDER-BLOWER 32" (10 X 9) (M4, M5)			
21	20465302	DIVIDER-BLOWER 38" (M8, M9, M10, M11, M12, M13, M14, M15, M16)			
31	20464601	COVER-DUCT DOWN BOTTOM (QTY 2)			
41	20464701	COVER-DUCT DOWN TOP (QTY 2)			
51	20465201	PANEL-FILLER, HT. EXCH. (M4, M5, M6, M7)			
51	20465202	PANEL-FILLER, HT. EXCH. (M8, M9, M10, M11, M12, M13, M14, M15, M16)			
51	20465203	PANEL-FILLER, HT. EXCH. (M1, M2, M3)			
61	20465403	PARTITION PANEL 28" (M1, M2, M3)			
61	20465401	PARTITION PANEL 32" (M4, M5, M6, M7)			
61	20465402	PARTITION PANEL 40" (M8, M9, M10, M11, M12, M13, M14, M15, M16)			
71	20465501	DIVIDER, EVAP/HT. EXCH. (M4, M5, M6, M7)			
71	20465502	DIVIDER, EVAP/HT. EXCH. (M8, M9, M10, M11, M12, M13, M14, M15, M16)			
71	20465503	DIVIDER, EVAP/HT. EXCH. (M1, M2, M3)			
81	20465701	SHELF-FAN PARTITION			
91	20465801	SURROUND-FAN (M4, M5, M6, M7)			
91	20465802	SURROUND-FAN (M8, M9, M10, M11, M12, M13, M14, M15, M16)			
91	20465803	SURROUND-FAN (M1, M2, M3)			
101	20496801	CHANNEL-SUCT. TB DRAIN			
111	20479006	INSUL-BLOCK EVAP/BPAN 27" (M1, M2, M3)			
111	20479005	INSUL-BLOCK EVAP/BPAN 32" (M4, M5, M6, M7)			
111	20479003	INSUL-BLOCK EVAP/BPAN 40" (M8, M9, M10, M11, M12, M13, M14, M15, M16)			

Expanded Model Nomenclature

- M1 - GPG10240451A
- M2 - GPG10240701A
- M3 - GPG10300701A
- M4 - GPG10360701A
- M5 - GPG10360901A
- M6 - GPG10420701A
- M7 - GPG10420901A
- M8 - GPG10480901A
- M9 - GPG10481151A
- M10 - GPG10600901A
- M11 - GPG10601401A
- M12 - GPG10360903A
- M13 - GPG10480903A
- M14 - GPG10600903A
- M15 - GPG10601403A
- M16 - GPG10601404A

Compressor / Basepan / Blower Assy



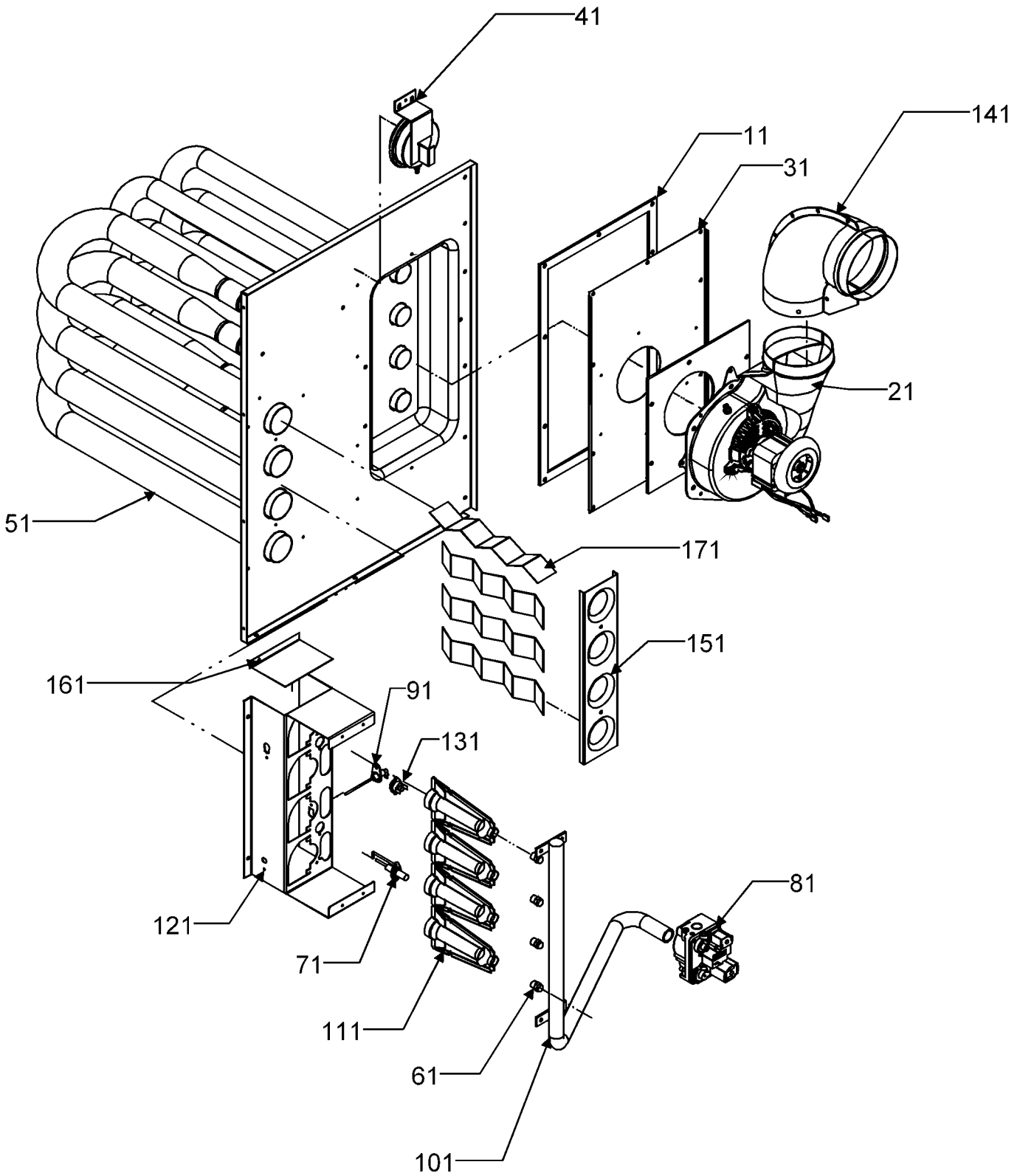
Compressor / Basepan / Blower Assy

Ref. Part No:	Ref. Part No:	Description:	Description:
<i>Image 1:</i>			
11	B1368016	BLOWER WHEEL (10 X 8) (M1, M2, M3)	311 CR35K6TF5920 COMPRESSOR-CR35K6-TF5-220 (M12)
11	D6723303	BLOWER WHEEL (10 X 9) (M4, M5)	311 CR42K6PFV920 COMPRESSOR-CR42K6-PFV-223 (M8, M9)
11	B1368000	BLOWER WHEEL (11 X 10) (M6, M7, M8, M9, M10, M11, M12, M13, M14, M15, M16)	311 CR42K6TF5920 COMPRESSOR-CR42K6-TF5-220 (M13)
21	11119203	MOTOR-EVAP, 1/3 HP, 4 SPEED (M1, M2, M3, M4, M5)	311 ZR54K3PFV930 COMPRESSOR-ZR54K3-PFV-230 (M10, M11)
21	20028601	MOTOR-EVAP, 3/4 HP, 4 SPEED (M8, M9, M10, M11, M13, M14, M15)	311 ZR54K3TF5930 COMPRESSOR-ZR54K3-TF5-230 (M14, M15)
21	20028603	MOTOR-EVAP, 3/4 HP, 4 SPEED (M6, M7, M12)	311 ZR54K3TFD930 COMPRESSOR-ZR54K3-TFD-230 (M16)
21	B13400317	MOTOR-EVAP, 3/4 HP, 4 SPEED, 460V (M16)	321 B1339530 GROMMET, COMPRESSOR (QTY 4) (M1, M2, M3, M4, M5, M6, M7, M8, M9, M12, M13)
31	B1376851	MOTOR, MOUNT BAND (M6, M7, M8, M9, M10, M11, M12, M13, M14, M15, M16)	321 B1339533 GROMMET, COMPRESSOR (QTY 4) (M10, M11, M14, M15, M16)
41	B1376857	MOTOR, MOUNT ARMS (QTY 3) (M6, M7, M8, M9, M10, M11, M12, M13, M14, M15, M16)	331 B1393736 COMPRESSOR SHOULDER BOLTS
51	20269903	LIMIT 150°, AUTO-RESET	NS 20478202 BAFFLE BLOWER (10 X 9) (INSIDE BLOWER SHELL) (M4, M5)
61	2509503	BRACKET FOR ROLLOUT SWITCH	NS B1789857 PISTON, # 57 (M1, M2)
71	2539310	BLOWER HOUSING (10 x 8) (M1, M2, M3)	NS B1789865 PISTON, # 65 (M3)
71	2539308	BLOWER HOUSING (10 X 9) (M4, M5)	NS B1789871 PISTON, # 71 (M4, M5, M12)
71	2539309	BLOWER HOUSING (11 X 10) (M6, M7, M8, M9, M10, M11, M12, M13, M14, M15, M16)	NS B1789876 PISTON, # 76 (M6, M7)
81	764740	BLOWER CUT-OFF (10 X 8) (M1, M2, M3)	NS B1789882 PISTON, # 82 (M8, M9, M13)
81	764742	BLOWER CUT-OFF (10 X 9) (M4, M5)	NS B1789890 PISTON, # 90 (M10, M11, M14, M15, M16)
81	1864703	BLOWER CUT-OFF (11 X 10) (M6, M7, M8, M9, M10, M11, M12, M13, M14, M15, M16)	NS B1219212 SINGLE FLOW FILTER DRIER, STEEL
91	B945652	CAPACITOR, 10/370 (M16)	
91	B945653	CAPACITOR, 15/370 (M1, M2, M3, M4, M5, M6, M7, M8, M9, M10, M11, M12, M13, M14, M15)	
101	B821700	CAPACITOR, BOOT RUBBER	
111	B1393331	MACH SCREWS, ¼-20 TYPE F (QTY 3)	
121	B1392820	WASHER, SPLIT LOCK, ¼" (QTY 3)	
131	B1392918	WASHER, FLAT ¼" (QTY 3) (M6, M7, M8, M9, M10, M11, M12, M13, M14, M15, M16)	
141	1284835	STRAP, CAPACITOR	
151	1262643	CRATED SERVICE EVAP COIL W/DRIER (M6, M7)	
151	1262644	CRATED SERVICE EVAP COIL W/DRIER (M4, M5)	
151	1262645	CRATED SERVICE EVAP COIL W/DRIER (M1, M2, M3)	
151	1262648	CRATED SERVICE EVAP COIL W/DRIER (M8, M9, M10, M11, M13, M14, M15, M16)	
151	1262649	CRATED SERVICE EVAP COIL W/DRIER (M12)	
161	20498303	TUBE-DRAIN 27" (M1, M2, M3)	
161	20498302	TUBE-DRAIN 32" (M4, M5, M6, M7)	
161	20498301	TUBE-DRAIN 40" (M8, M9, M10, M11, M12, M13, M14, M15, M16)	
171	20513001	FITTING, DRAIN EVAP	
181	20464901	PAN-DRIP EVAP. COIL	
311	CR22KFPFV930	COMPRESSOR-CR22KF-PFV-230 (M1, M2)	
311	CR28KFPFV930	COMPRESSOR-CR28KF-PFV-230 (M3)	
311	CR34K6PFV920	COMPRESSOR-CR34K6-PFV-220 (M4, M5)	
311	CR35K6PFV920	COMPRESSOR-CR35K6-PFV-223 (M6, M7)	

Expanded Model Nomenclature

M1 - GPG10240451A
M2 - GPG10240701A
M3 - GPG10300701A
M4 - GPG10360701A
M5 - GPG10360901A
M6 - GPG10420701A
M7 - GPG10420901A
M8 - GPG10480901A
M9 - GPG10481151A
M10 - GPG10600901A
M11 - GPG10601401A
M12 - GPG10360903A
M13 - GPG10480903A
M14 - GPG10600903A
M15 - GPG10601403A
M16 - GPG10601404A

Heat Exchanger / Manifold / Gas Valve



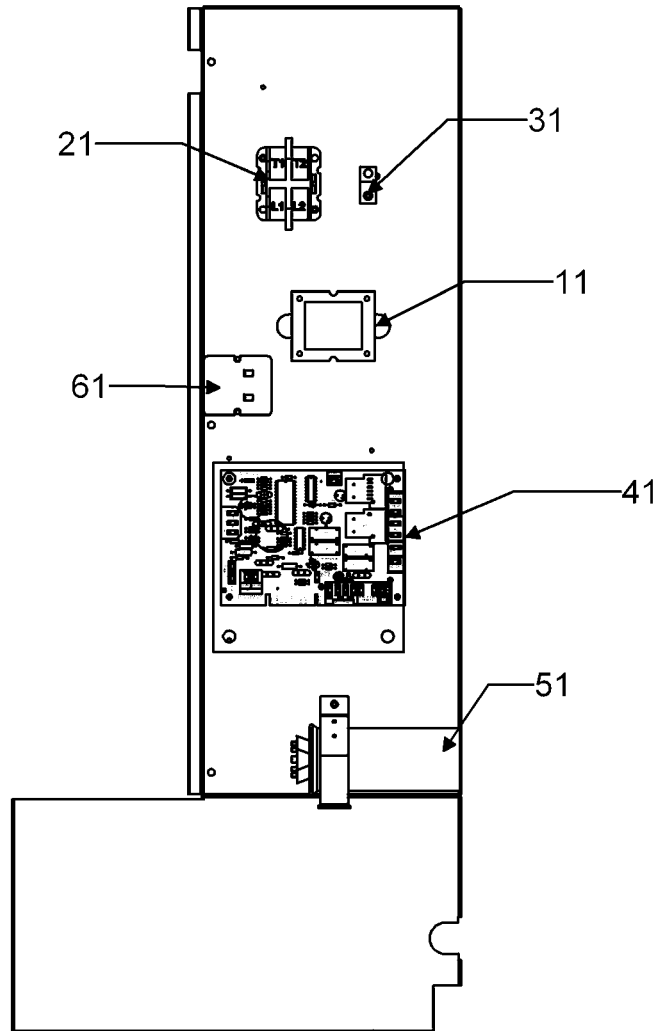
Heat Exchanger / Manifold / Gas Valve

Ref. Part No:	Ref. Part No:	Description:	Description:
<i>Image 1:</i>			
11	20462801	ID BLOWER PLATE GASKET (M1, M2, M3, M4, M5, M6, M7)	121 20190412 BRACKET, BURNER 4 CELL (M5, M7, M8, M10, M12, M13, M14)
11	20463001	ID BLOWER PLATE GASKET (M8, M9, M10, M11, M12, M13, M14, M15, M16)	121 20190413 BRACKET, BURNER 5 CELL (M9)
21	20484703	ID BLOWER (M1, M2, M3, M4, M5, M6, M7, M8, M9, M10, M11, M12, M13, M14, M15)	121 20190414 BRACKET, BURNER 6 CELL (M11, M15, M16)
21	B4359000	ID BLOWER (M16)	131 10123539 LIMIT, MANUAL RESET 240° (M1, M2, M3, M4, M6)
31	20463101	PLATE-ID BLWR, 2-BURNER, SML (M1)	131 10123529 LIMIT, MANUAL RESET 300° (M5, M7, M8, M9, M10, M11, M12, M13, M14, M15, M16)
31	20463102	PLATE-ID BLWR, 3 BURNER, SML (M2, M3, M4, M6)	141 20484401 ELBOW-FLUE,LEFT
31	20463201	PLATE-ID BLWR, 4 BURNER, LRG (M8, M10, M12, M13, M14)	141 20484402 ELBOW-FLUE,RIGHT
31	20463103	PLATE-ID BLWR, 4 BURNER, SML (M5, M7)	151 4028000 ORIFICE, PLATE, 2 CELL (M1)
31	20463202	PLATE-ID BLWR, 5 BURNER, LRG (M9)	151 4028001 ORIFICE, PLATE, 3 CELL (M2, M3, M4, M6)
31	20463203	PLATE-ID BLWR, 6 BURNER, LRG (M11, M15, M16)	151 4028002 ORIFICE, PLATE, 4 CELL (M5, M7, M8, M10, M12, M13, M14)
41	11112501	SWITCH, PRESSURE	151 4028003 ORIFICE, PLATE, 5 CELL (M9)
51	4305009A	HEAT EXCHANGER (2 CELL) SML (M1)	151 4028004 ORIFICE, PLATE, 6 CELL (M11, M15, M16)
51	4305020A	HEAT EXCHANGER (3 CELL) MED (M4, M6)	161 11190202 DEFLECTOR-HEAT, PKG (QTY 2)
51	4305010A	HEAT EXCHANGER (3 CELL) SML (M2, M3)	171 10624003 INSERT-MESH TUBE
51	4305011A	HEAT EXCHANGER (4 CELL) LRG (M8, M10, M12, M13, M14)	
51	4305008A	HEAT EXCHANGER (4 CELL) MED (M5, M7)	
51	4305012A	HEAT EXCHANGER (5 CELL) LRG (M9)	
51	4305019A	HEAT EXCHANGER (6 CELL) LRG (M11, M15, M16)	
61	B4089343	ORIFICE #43 (QTY 2) (M1)	
61	B4089343	ORIFICE #43 (QTY 3) (M2, M3, M4, M6)	
61	B4089343	ORIFICE #43 (QTY 4) (M5, M7, M8, M10, M12, M13, M14)	
61	B4089343	ORIFICE #43 (QTY 5) (M9)	
61	B4089343	ORIFICE #43 (QTY 6) (M11, M15, M16)	
71	20261709S	IGNITOR	
81	B1282628	GAS VALVE (36 G)	
91	20488501	SENSOR, FLAME	
101	20493101	MANIFOLD, (2 CELL) SML (M1)	
101	20493103	MANIFOLD, (3 CELL) MED (M4, M6)	
101	20493102	MANIFOLD, (3 CELL) SML (M2, M3)	
101	20493105	MANIFOLD, (4 CELL) LRG (M8, M10, M12, M13, M14)	
101	20493104	MANIFOLD, (4 CELL) MED (M5, M7)	
101	20493106	MANIFOLD, (5 CELL) LRG (M9)	
101	20493107	MANIFOLD, (6 CELL) LRG (M11, M15, M16)	
111	10735102	BECKETT-BURNER (QTY 2) (M1)	
111	10735102	BECKETT-BURNER (QTY 3) (M2, M3, M4, M6)	
111	10735102	BECKETT-BURNER (QTY 4) (M5, M7, M8, M10, M12, M13, M14)	
111	10735102	BECKETT-BURNER (QTY 5) (M9)	
111	10735102	BECKETT-BURNER (QTY 6) (M11, M15, M16)	
121	20190410	BRACKET, BURNER 2 CELL (M1)	
121	20190411	BRACKET, BURNER 3 CELL (M2, M3, M4, M6)	

Expanded Model Nomenclature

- M1 - GPG10240451A
- M2 - GPG10240701A
- M3 - GPG10300701A
- M4 - GPG10360701A
- M5 - GPG10360901A
- M6 - GPG10420701A
- M7 - GPG10420901A
- M8 - GPG10480901A
- M9 - GPG10481151A
- M10 - GPG10600901A
- M11 - GPG10601401A
- M12 - GPG10360903A
- M13 - GPG10480903A
- M14 - GPG10600903A
- M15 - GPG10601403A
- M16 - GPG10601404A

Control Panel



Control Panel

Ref. Part No:	No:	Description:	Ref. Part No:	No:	Description:
<i>Image 1:</i>					
11	B1141643	TRANSFORMER (M1, M2, M3, M4, M5, M6, M7, M8, M9, M10, M11, M12, M13, M14, M15)			
11	B1141653	TRANSFORMER (M16)			
21	B1360321	CONTACTOR, 25 AMP, 1P (M1, M2, M3, M4, M5, M6, M7)			
21	B1360315	CONTACTOR, 25 AMP, 3P (M12, M13, M14, M15, M16)			
21	B1360324	CONTACTOR, 30 AMP, 1P (M8, M9)			
21	B1360305	CONTACTOR, 40 AMP, 1P (M10, M11)			
31	B1378533	LUG, GROUND SMALL (M1, M2, M3, M4, M5, M6, M7, M8, M9, M10, M11, M12, M13, M14, M15)			
41	B1809918S	INTEGRATED DSI MODULE			
51	B945652	CAPACITOR, 10/370 (M16)			
51	B94578700	CAPACITOR, 30/5/370 (M1, M2)			
51	B94575300	CAPACITOR, 35/5/370 (M3)			
51	B94575500	CAPACITOR, 40/5/370 (M6, M7)			
51	B94575600	CAPACITOR, 40/5/440 (M8, M9)			
51	B945650	CAPACITOR, 5/370 (M12, M13, M14, M15, M16)			
51	B94577400	CAPACITOR, 50/5/370 (M4, M5)			
51	B94577600	CAPACITOR, 80/5/370 (M10, M11)			
61	10728342	LIMIT SWITCH 150°F (M1)			
61	10728343	LIMIT SWITCH 160°F (M2, M3, M4, M5, M6, M7, M8, M9, M10, M11, M12, M13, M14, M15, M16)			
NS	B1370751	RELAYS (QTY. 2) (M16)			

Expanded Model Nomenclature

M1 - GPG10240451A
M2 - GPG10240701A
M3 - GPG10300701A
M4 - GPG10360701A
M5 - GPG10360901A
M6 - GPG10420701A
M7 - GPG10420901A
M8 - GPG10480901A
M9 - GPG10481151A
M10 - GPG10600901A
M11 - GPG10601401A
M12 - GPG10360903A
M13 - GPG10480903A
M14 - GPG10600903A
M15 - GPG10601403A
M16 - GPG10601404A