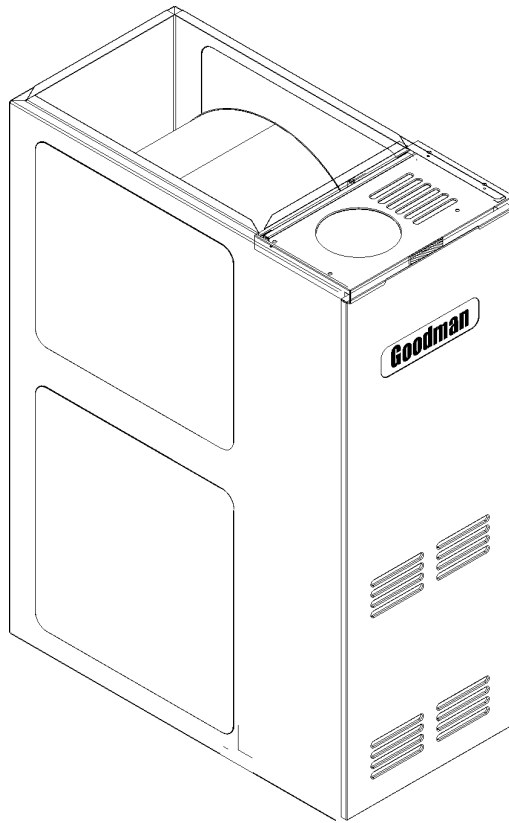




# REPAIR PARTS

## GDS8 80% Furnace

- GDS80453ANAA
- GDS80453AXAA
- GDS80453AXBA
- GDS80453AXBB
- GDS80703ANAA
- GDS80703AXAA
- GDS80703AXBA
- GDS80703AXBB
- GDS80904BNAA
- GDS80904BXAA
- GDS80904BXBA
- GDS80904BXBB
- GDS81155CNAA
- GDS81155CXAA
- GDS81155CXBA
- GDS81155CXBB



Made in the USA by:  
Goodman Manufacturing Company, L.P.  
2550 North Loop West, Suite 400  
Houston Texas 77092

[www.goodmanmfg.com](http://www.goodmanmfg.com)

RP-247D  
October 2006

# Important Information

---

## Index

|                              |        |
|------------------------------|--------|
| Functional Parts List .....  | 3      |
| Illustration and Parts ..... | 4 - 13 |

*Views shown are for parts illustrations only, not servicing procedures*

Rev. C: Added "BB" models.

### Text Codes:

AR - As Required

NA - Not Available

NS - Not Shown

00000000 - See Note

QTY - Quantity Example (QTY 3) (If Quantity not shown, Quantity = 1)

M - Model Example (M1) (If M Code not shown, then part is used on all Models)

### Expanded Model Nomenclature:

|   |
|---|
| Example<br>M1 - Model#1<br>M2 - Model#2<br>M3 - Model#3 |
|---|

Goodman Manufacturing Company, L.P. is not responsible for personal injury or property damage resulting from improper service. Review all service information before beginning repairs.

Warranty service must be performed by an authorized technician, using authorized factory parts. If service is required after the warranty expires, Goodman Manufacturing Company, L.P. also recommends contacting an authorized technician and using authorized factory parts.

Goodman Manufacturing Company, L.P. reserves the right to discontinue, or change at any time, specifications or designs without notice or without incurring obligations. Goodman® brand products are proudly made in the USA.

For assistance within the U.S.A. contact:  
Consumer Affairs Department  
Goodman Manufacturing Company, L.P.  
7401 Security Way  
Houston, Texas 77040  
877-254-4729-Telephone  
713-863-2382-Facsimile

For assistance outside the U.S.A. contact:  
International Division  
Goodman Manufacturing Company, L.P.  
7401 Security Way  
Houston, Texas 77040  
713-861-2500-Telephone  
713-863-2382-Facsimile

# Functional Parts

**Part  
No:**

**Description:**

| Part No:       | Description:   |             |  |
|----------------|--|-------------|--|
| B1370150       | AIR PRESSURE SWITCH (M13, M14, M15)                                | 0131F00006S | VENT MOTOR, ROUNDNOSE (M4, M8, M12, M16) |
| B1370142       | AIR PRESSURE SWITCH 0.60" WC (M1, M2, M3)                          |             |  |
| B1370158       | AIR PRESSURE SWITCH -0.70"WC (M16)                                 |             |  |
| B1370179       | AIR PRESSURE SWITCH 0.75" WC (M9, M10, M11)                        |             |  |
| B1370142       | AIR PRESSURE SWITCH 47 SP (M4, M8, M12)                            |             |  |
| B1370176       | AIR PRESSURE SWITCH 47 SP (M5, M6, M7)                             |             |  |
| 0259F00007P    | ASSY, WIRE HARNESS 12-PIN  |             |  |
| 0259F00008P    | ASSY, WIRE HARNESS 15-PIN  |             |  |
| 0259F00009P    | ASSY, WIRE HARNESS 15-PIN  |             |  |
| B4068406       | ASSY, WIRE HARNESS IGNITOR 2-PIN                                   |             |  |
| CAP200000370RP | CAPACITOR (M9, M10, M11, M12, M13, M14, M15, M16)                  |             |  |
| CAP125000370RP | CAPACITOR (M1, M2, M3, M4, M5, M6, M7, M8)                         |             |  |
| 0130F00005S    | CONTROL BOARD, INTEGRATED H.S.I.                                   |             |  |
| 0130F00010     | FLAME SENSOR   |             |  |
| B4026005       | GAS MANIFOLD 2 CELL (M1, M2, M3, M4)                               |             |  |
| B4026006       | GAS MANIFOLD 3 CELL (M5, M6, M7, M8)                               |             |  |
| B4026007       | GAS MANIFOLD 4 CELL (M9, M10, M11, M12)                            |             |  |
| B4026008       | GAS MANIFOLD 5 CELL (M13, M14, M15, M16)                           |             |  |
| B1282628       | GAS VALVE  |             |  |
| 20165703S      | IGNITOR  |             |  |
| B1370155       | LIMIT SWITCH, AUXILIARY 120°F                                      |             |  |
| B1340024S      | MOTOR, DIRECT DRIVE 1/2 HP (M9, M10, M11, M12, M13, M14, M15, M16) |             |  |
| B1340025S      | MOTOR, DIRECT DRIVE 1/3 HP (M1, M2, M3, M4, M5, M6, M7, M8)        |             |  |
| B4089343       | ORIFICE (QTY AR)   |             |  |
| B1370145       | ROLLOUT SWITCH, 300 W/O BRACKET                                    |             |  |
| 4021300S       | SUB-ASSY, HEAT EXCHANGER 2 CELL 14" (M1, M2, M3, M4)               |             |  |
| 4021307S       | SUB-ASSY, HEAT EXCHANGER 3 CELL 14" (M5, M6, M7, M8)               |             |  |
| 4021309S       | SUB-ASSY, HEAT EXCHANGER 4 CELL 17.5" (M9, M10, M11, M12)          |             |  |
| 4021311S       | SUB-ASSY, HEAT EXCHANGER 5 CELL 21" (M13, M14, M15, M16)           |             |  |
| B1370192       | SWITCH, PRIMARY LIMIT, 230°F (M1, M2, M3, M4)                      |             |  |
| B1370194       | SWITCH, PRIMARY LIMIT, 250°F (M13, M14, M15, M16)                  |             |  |
| B1370195       | SWITCH, PRIMARY LIMIT, 300°F (M5, M6, M7, M8, M9, M10, M11, M12)   |             |  |
| B1141605       | TRANSFORMER 120V TO 24V, 40V                                       |             |  |
| 0131M00002S    | VENT MOTOR (M1, M2, M3, M5, M6, M7, M9, M10, M11, M13, M14, M15)   |             |  |

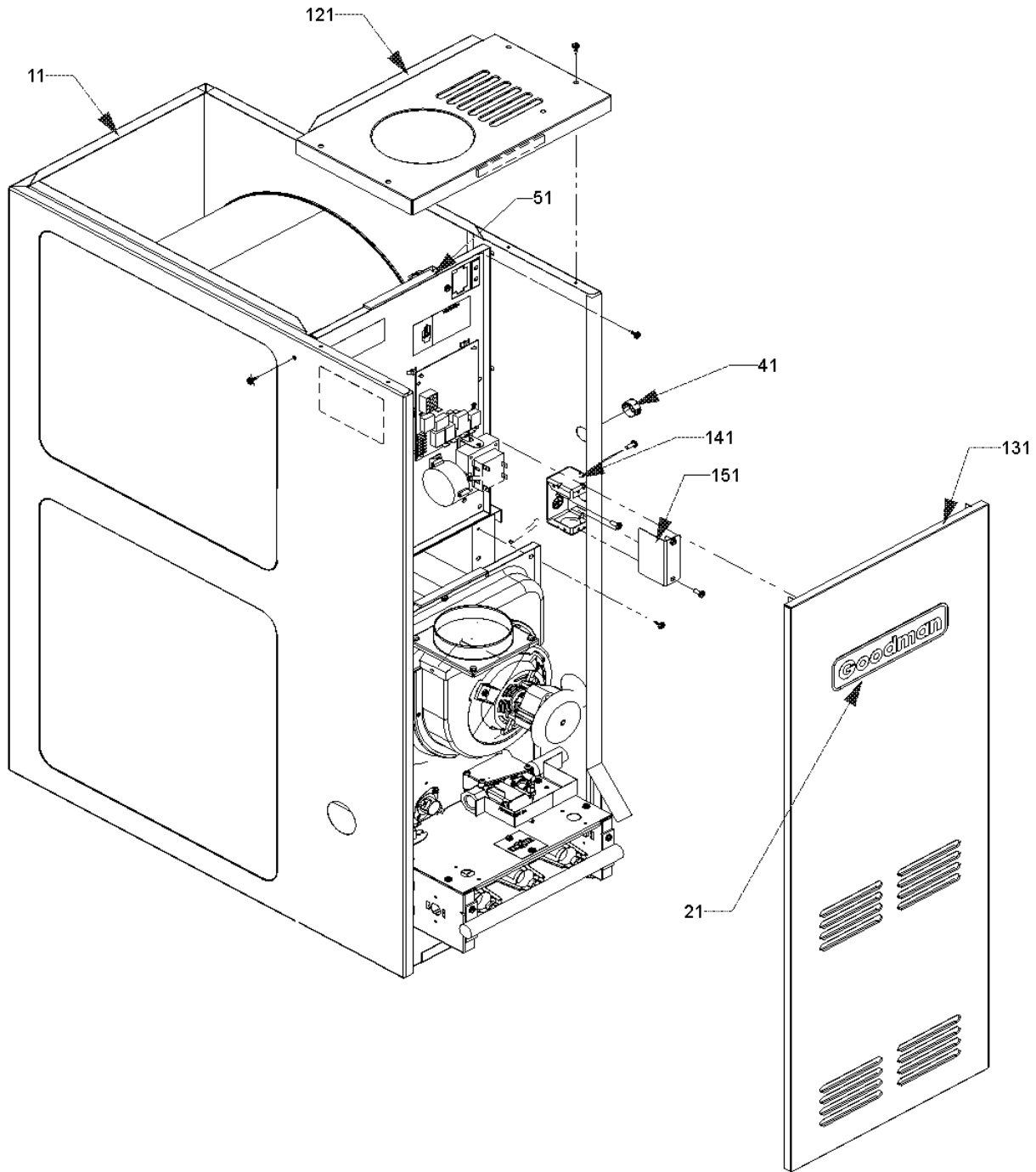
**SPECIAL PARTS**

- IO-294A            INSTALLATION INSTRUCTIONS
- 0161F00000P    NAMEPLATE, GOODMAN
- RP-247D           REPAIR PARTS MANUAL

Expanded Model Nomenclature

- M1 - GDS80453ANAA
- M2 - GDS80453AXAA
- M3 - GDS80453AXBA
- M4 - GDS80453AXBB
- M5 - GDS80703ANAA
- M6 - GDS80703AXAA
- M7 - GDS80703AXBA
- M8 - GDS80703AXBB
- M9 - GDS80904BNAA
- M10 - GDS80904BXAA
- M11 - GDS80904BXBA
- M12 - GDS80904BXBB
- M13 - GDS81155CNAA
- M14 - GDS81155CXAA
- M15 - GDS81155CXBA
- M16 - GDS81155CXBB

# Cabinet



# Cabinet

| Ref. Part No:   | No:           | Description:  | Ref. Part No: | No: | Description: |
|-----------------|---------------|---|---------------|-----|--------------|
| <i>Image 1:</i> |               |   |               |     |              |
| 11              | 4016119       | WRAPPER 14" (M1, M2, M3, M4, M5, M6, M7, M8)                |               |     |              |
| 11              | 4016120       | WRAPPER 17.5" (M9, M10, M11, M12)                           |               |     |              |
| 11              | 4016121       | WRAPPER 21" (M13, M14, M15, M16)                            |               |     |              |
| 21              | 0161F00000P   | NAMEPLATE, GOODMAN  |               |     |              |
| 41              | B1392104      | UNIVERSAL BUSHING UB 875                                    |               |     |              |
| 51              | B13926111     | SEAL STRIP, 1/8 X 1/2 X 14 (M1, M2, M3, M4, M5, M6, M7, M8) |               |     |              |
| 51              | B13926112     | SEAL STRIP, 1/8 X 1/2 X 17.5 (M9, M10, M11, M12)            |               |     |              |
| 51              | B13926113     | SEAL STRIP, 1/8 X 1/2 X 21 (M13, M14, M15, M16)             |               |     |              |
| 121             | 0221F00000PDG | TOP, FURNACE 14" (M1, M2, M3, M4, M5, M6, M7, M8)           |               |     |              |
| 121             | 0221F00001PDG | TOP, FURNACE 17.5" (M9, M10, M11, M12)                      |               |     |              |
| 121             | 0221F00002PDG | TOP, FURNACE 21" (M13, M14, M15, M16)                       |               |     |              |
| 131             | 0221F00008PDG | DOOR, ACCESS 14" (M1, M2, M3, M4, M5, M6, M7, M8)           |               |     |              |
| 131             | 0221F00009PDG | DOOR, ACCESS 17.5" (M9, M10, M11, M12)                      |               |     |              |
| 131             | 0221F00010PDG | DOOR, ACCESS 21" (M13, M14, M15, M16)                       |               |     |              |
| 141             | 4014502       | J-BOX   |               |     |              |
| 151             | 4015502       | J-BOX COVER   |               |     |              |

## Expanded Model Nomenclature

|                    |
|--------------------|
| M1 - GDS80453ANAA  |
| M2 - GDS80453AXAA  |
| M3 - GDS80453AXBA  |
| M4 - GDS80453AXBB  |
| M5 - GDS80703ANAA  |
| M6 - GDS80703AXAA  |
| M7 - GDS80703AXBA  |
| M8 - GDS80703AXBB  |
| M9 - GDS80904BNAA  |
| M10 - GDS80904BXAA |
| M11 - GDS80904BXBA |
| M12 - GDS80904BXBB |
| M13 - GDS81155CNAA |
| M14 - GDS81155CXAA |
| M15 - GDS81155CXBA |
| M16 - GDS81155CXBB |

# Blower Assembly/Control Panel

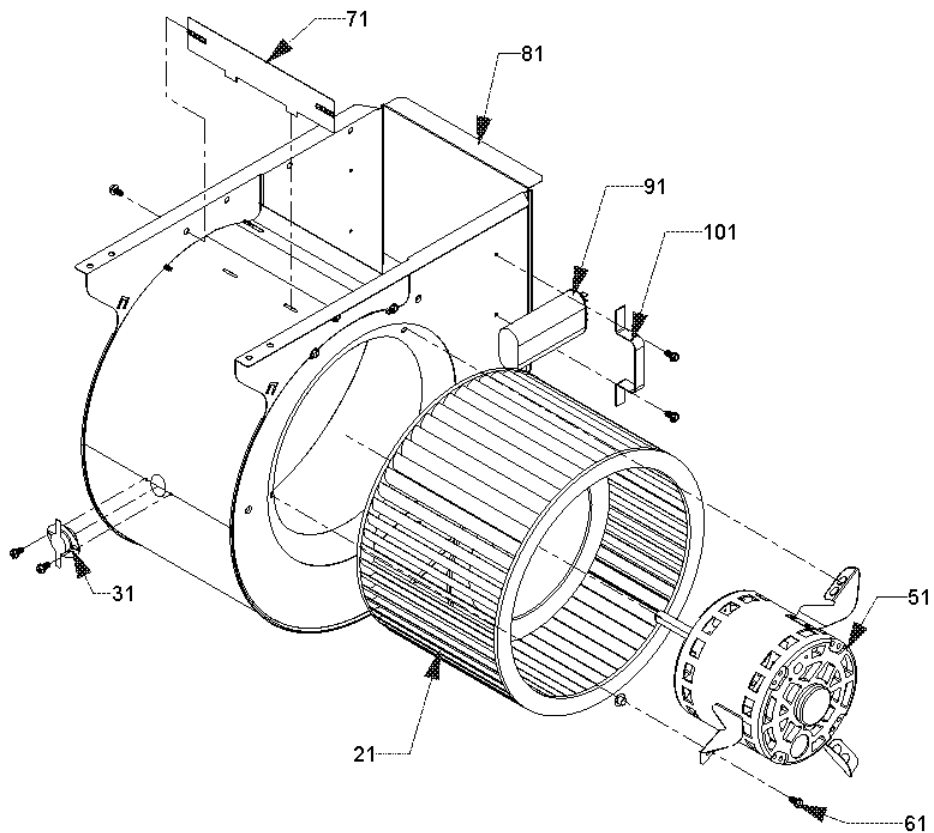
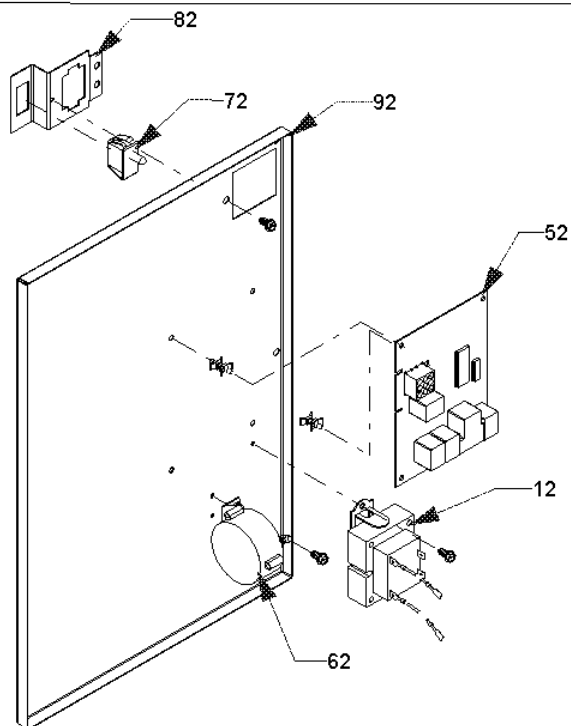


Image 1

Image 2



# Blower Assembly/Control Panel

| Ref. Part No:   | No:            | Description:   | Ref. Part No:               | No: | Description: |
|-----------------|----------------|--|-----------------------------|-----|--------------|
| <i>Image 1:</i> |                |  | Expanded Model Nomenclature |     |              |
| 21              | B1368047A      | BLOWER WHEEL 10 X 10 (M13, M14, M15, M16)                          | M1 - GDS80453ANAA           |     |              |
| 21              | B1368034S      | BLOWER WHEEL 10 X 6 (M1, M2, M3, M4, M5, M6, M7, M8)               | M2 - GDS80453AXAA           |     |              |
| 21              | B1368016S      | BLOWER WHEEL 10 X 8 (M9, M10, M11, M12)                            | M3 - GDS80453AXBA           |     |              |
| 31              | B1370155       | LIMIT SWITCH, AUXILIARY 120°F                                      | M4 - GDS80453AXBB           |     |              |
| 51              | B1340024S      | MOTOR, DIRECT DRIVE 1/2 HP (M9, M10, M11, M12, M13, M14, M15, M16) | M5 - GDS80703ANAA           |     |              |
| 51              | B1340025S      | MOTOR, DIRECT DRIVE 1/3 HP (M1, M2, M3, M4, M5, M6, M7, M8)        | M6 - GDS80703AXAA           |     |              |
| 61              | B1393331       | MACH. SCREW, 1/4-20 TYPE F SLOTTED (QTY 3)                         | M7 - GDS80703AXBA           |     |              |
| 71              | 764741         | BLOWER BLOCK-OFF 10 X 10 (M13, M14, M15, M16)                      | M8 - GDS80703AXBB           |     |              |
| 71              | 764739         | BLOWER BLOCK-OFF 10 X 6 (M1, M2, M3, M4, M5, M6, M7, M8)           | M9 - GDS80904BNAA           |     |              |
| 71              | 764740         | BLOWER BLOCK-OFF 10 X 8 (M9, M10, M11, M12)                        | M10 - GDS80904BXAA          |     |              |
| 81              | 2539305S       | ASSY, BLOWER SHELL 10 X 6 (M1, M2, M3, M4, M5, M6, M7, M8)         | M11 - GDS80904BXBA          |     |              |
| 81              | 2539307S       | ASSY, BLOWER SHELL 10X10 (M13, M14, M15, M16)                      | M12 - GDS80904BXBB          |     |              |
| 81              | 2539306S       | ASSY, BLOWER SHELL 10X8 (M9, M10, M11, M12)                        | M13 - GDS81155CNAA          |     |              |
| 91              | CAP125000370RP | CAPACITOR (M1, M2, M3, M4, M5, M6, M7, M8)                         | M14 - GDS81155CXAA          |     |              |
| 91              | CAP200000370RP | CAPACITOR (M9, M10, M11, M12, M13, M14, M15, M16)                  | M15 - GDS81155CXBA          |     |              |
| 101             | 1284835        | CAPACITOR STRAP  | M16 - GDS81155CXBB          |     |              |
| NS              | 0259F00007P    | ASSY, WIRE HARNESS 12-PIN  |                             |     |              |
| NS              | 0259F00008P    | ASSY, WIRE HARNESS 15-PIN  |                             |     |              |
| NS              | 0259F00009P    | ASSY, WIRE HARNESS 15-PIN  |                             |     |              |
| NS              | A3468601       | PRESSURE SWITCH HOSE   |                             |     |              |
| <i>Image 2:</i> |                |  |                             |     |              |
| 12              | B1141605       | TRANSFORMER 120V TO 24V, 40V                                       |                             |     |              |
| 52              | 0130F00005S    | CONTROL BOARD, INTEGRATED H.S.I.                                   |                             |     |              |
| 62              | B1370150       | AIR PRESSURE SWITCH (M13, M14, M15)                                |                             |     |              |
| 62              | B1370142       | AIR PRESSURE SWITCH 0.60" WC (M1, M2, M3)                          |                             |     |              |
| 62              | B1370158       | AIR PRESSURE SWITCH -0.70"WC (M16)                                 |                             |     |              |
| 62              | B1370179       | AIR PRESSURE SWITCH 0.75" WC (M9, M10, M11)                        |                             |     |              |
| 62              | B1370142       | AIR PRESSURE SWITCH 47 SP (M4, M8, M12)                            |                             |     |              |
| 62              | B1370176       | AIR PRESSURE SWITCH 47 SP (M5, M6, M7)                             |                             |     |              |
| 72              | B1370819       | DOOR SWITCH  |                             |     |              |
| 82              | 1284835        | BRACKET, DOOR SWITCH   |                             |     |              |
| 92              | 2515008        | INNER DOOR, BLOWER 14" (M1, M2, M3, M4, M5, M6, M7, M8)            |                             |     |              |
| 92              | 2515009        | INNER DOOR, BLOWER 17.5" (M9, M10, M11, M12)                       |                             |     |              |
| 92              | 2515010        | INNER DOOR, BLOWER 21" (M13, M14, M15, M16)                        |                             |     |              |

# Heat Exchanger/Flue Collector Box "AA and BA" models.

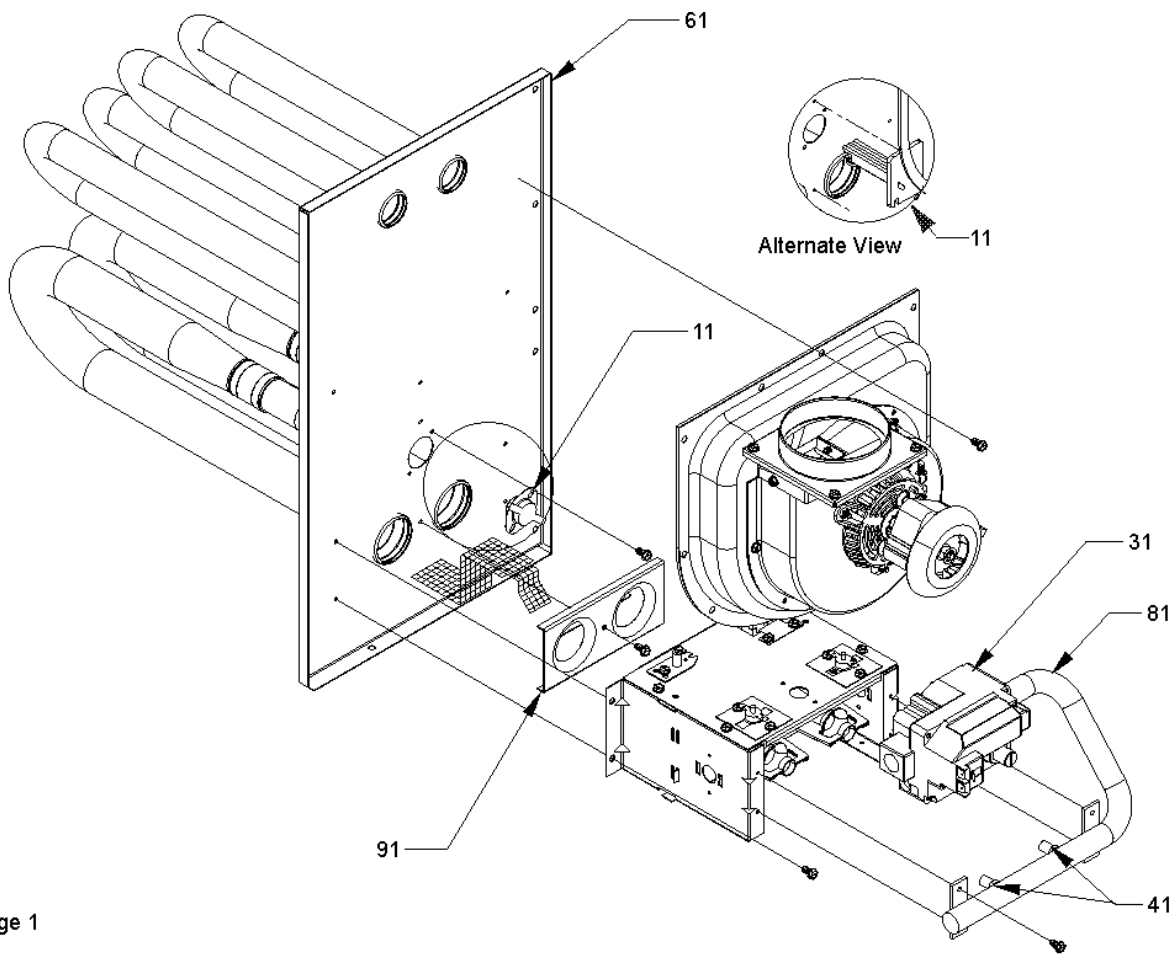
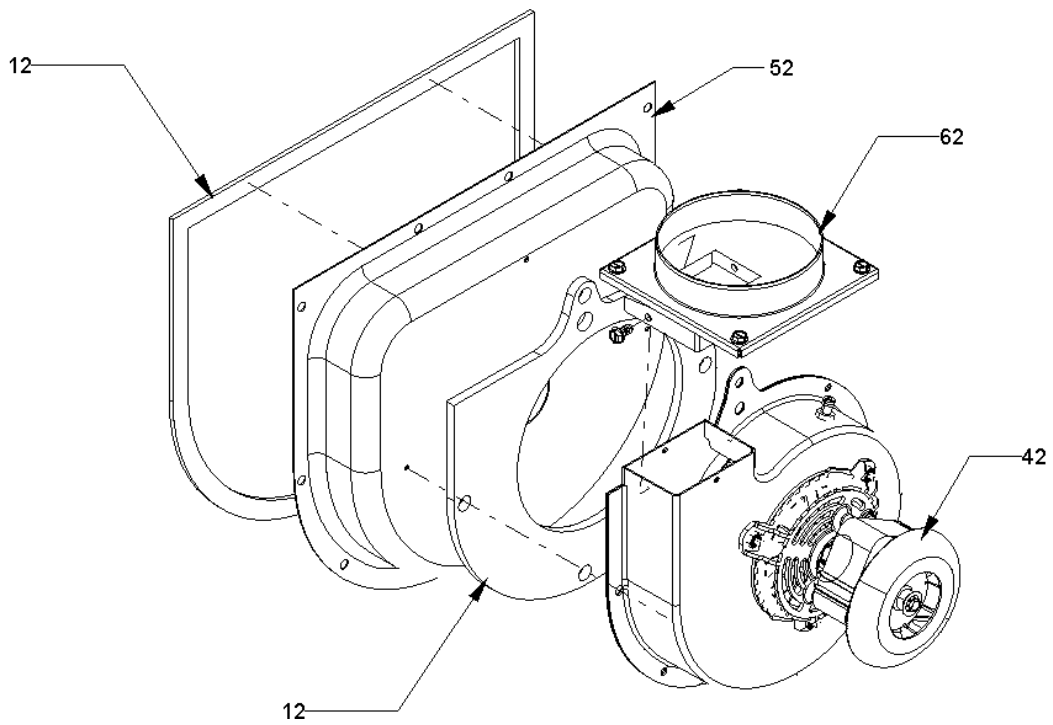


Image 1

Image 2



# Heat Exchanger/Flue Collector Box "AA and BA" models.

| Ref. Part No:   | No:         | Description:   | Ref. Part No:               | No:          | Description: |
|-----------------|-------------|--|-----------------------------|--------------|--------------|
| <i>Image 1:</i> |             |  | Expanded Model Nomenclature |              |              |
| 11              | B1370192    | SWITCH, PRIMARY LIMIT, 230°F (M1, M2, M3)  | M1 -                        | GDS80453ANAA |              |
| 11              | B1370194    | SWITCH, PRIMARY LIMIT, 250°F (M13, M14, M15)   | M2 -                        | GDS80453AXAA |              |
| 11              | B1370195    | SWITCH, PRIMARY LIMIT, 300°F (M5, M6, M7, M9, M10, M11)                                | M3 -                        | GDS80453AXBA |              |
| 31              | B1282628    | GAS VALVE (M1, M2, M3, M5, M6, M7, M9, M10, M11, M13, M14, M15)                        | M4 -                        | GDS80453AXBB |              |
| 41              | B4089343    | ORIFICE (M1, M2, M3, M5, M6, M7, M9, M10, M11, M13, M14, M15)                          | M5 -                        | GDS80703ANAA |              |
| 61              | 4021300S    | SUB-ASSY, HEAT EXCHANGER 2 CELL 14" (M1, M2, M3)                                       | M6 -                        | GDS80703AXAA |              |
| 61              | 4021307S    | SUB-ASSY, HEAT EXCHANGER 3 CELL 14" (M5, M6, M7)                                       | M7 -                        | GDS80703AXBA |              |
| 61              | 4021309S    | SUB-ASSY, HEAT EXCHANGER 4 CELL 17.5" (M9, M10, M11)                                   | M8 -                        | GDS80703AXBB |              |
| 61              | 4021311S    | SUB-ASSY, HEAT EXCHANGER 5 CELL 21" (M13, M14, M15)                                    | M9 -                        | GDS80904BNAA |              |
| 81              | B4026005    | GAS MANIFOLD 2 CELL (M1, M2, M3)   | M10 -                       | GDS80904BXAA |              |
| 81              | B4026006    | GAS MANIFOLD 3 CELL (M5, M6, M7)   | M11 -                       | GDS80904BXBA |              |
| 81              | B4026007    | GAS MANIFOLD 4 CELL (M9, M10, M11)   | M12 -                       | GDS80904BXBB |              |
| 81              | B4026008    | GAS MANIFOLD 5 CELL (M13, M14, M15)  | M13 -                       | GDS81155CNAA |              |
| 91              | 4028000     | ORIFICE PLATE, 2 CELL (M1, M2, M3)   | M14 -                       | GDS81155CXAA |              |
| 91              | 4028001     | ORIFICE PLATE, 3 CELL (M5, M6, M7)   | M15 -                       | GDS81155CXBA |              |
| 91              | 4028002     | ORIFICE PLATE, 4 CELL (M9, M10, M11)   | M16 -                       | GDS81155CXBB |              |
| 91              | 4028003     | ORIFICE PLATE, 5 CELL (M13, M14, M15)  |                             |              |              |
| NS              | B4068406    | ASSY, WIRE HARNESS IGNITOR 2-PIN (M1, M2, M3, M5, M6, M7, M9, M10, M11, M13, M14, M15) |                             |              |              |
| <i>Image 2:</i> |             |  |                             |              |              |
| 12              | B1392633    | GASKET, VENT MOTOR 14" (M1, M2, M3, M5, M6, M7)  |                             |              |              |
| 12              | B1392634    | GASKET, VENT MOTOR 17.5" (M9, M10, M11)  |                             |              |              |
| 12              | B1392635    | GASKET, VENT MOTOR 21" (M13, M14, M15)   |                             |              |              |
| 42              | 0131M00002S | VENT MOTOR (M1, M2, M3, M5, M6, M7, M9, M10, M11, M13, M14, M15)                       |                             |              |              |
| 52              | 4010012S    | FLUE COLLECTOR BOX 14" 1.50 DIA MOD A (M1, M2, M3)                                     |                             |              |              |
| 52              | 4010013S    | FLUE COLLECTOR BOX 14" 2.00 DIA MOD A (M5, M6, M7)                                     |                             |              |              |
| 52              | 4010015S    | FLUE COLLECTOR BOX 17.5" 2.00 MOD A (M9, M10, M11)                                     |                             |              |              |
| 52              | 4010017S    | FLUE COLLECTOR BOX 21" 2.25 DIA MOD A (M13, M14, M15)                                  |                             |              |              |
| 62              | 4053501S    | CHIMNEY ASSEMBLY (M1, M2, M3, M5, M6, M7, M9, M10, M11, M13, M14, M15)                 |                             |              |              |

# Heat Exchanger/Flue Collector Box "BB" models.

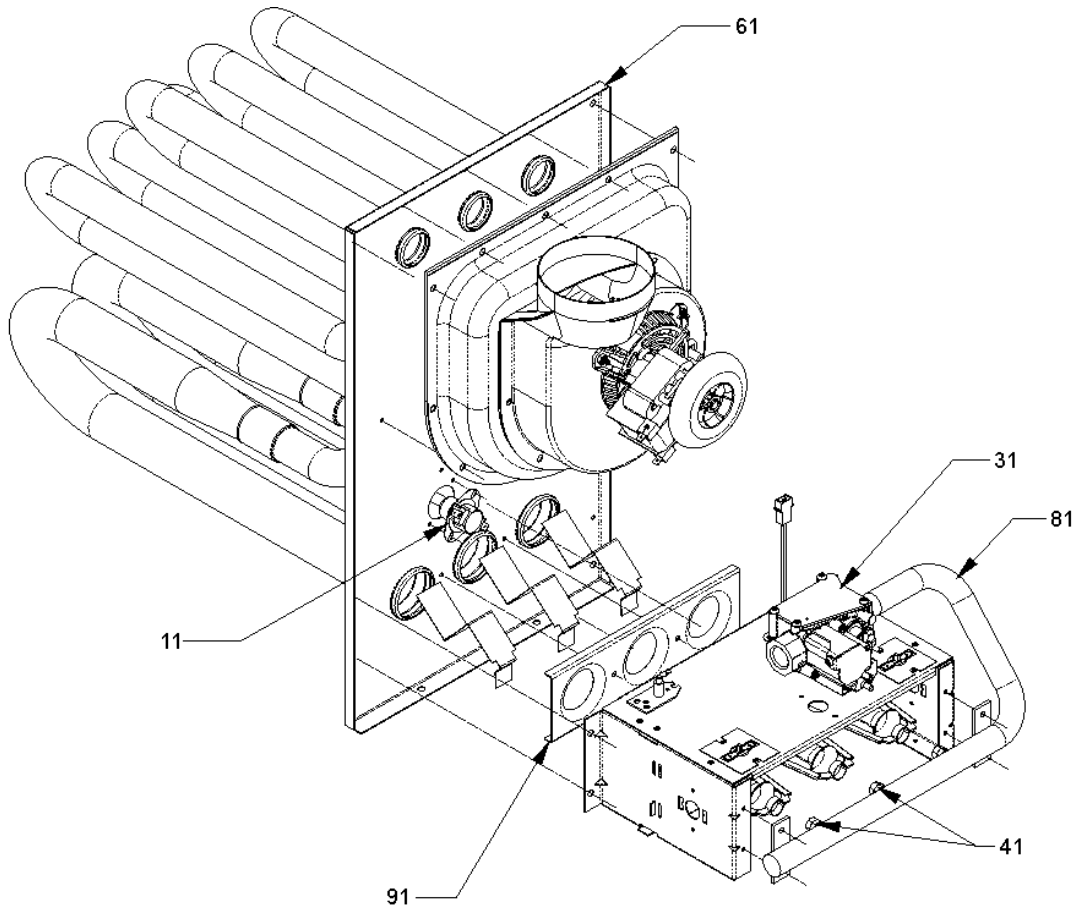
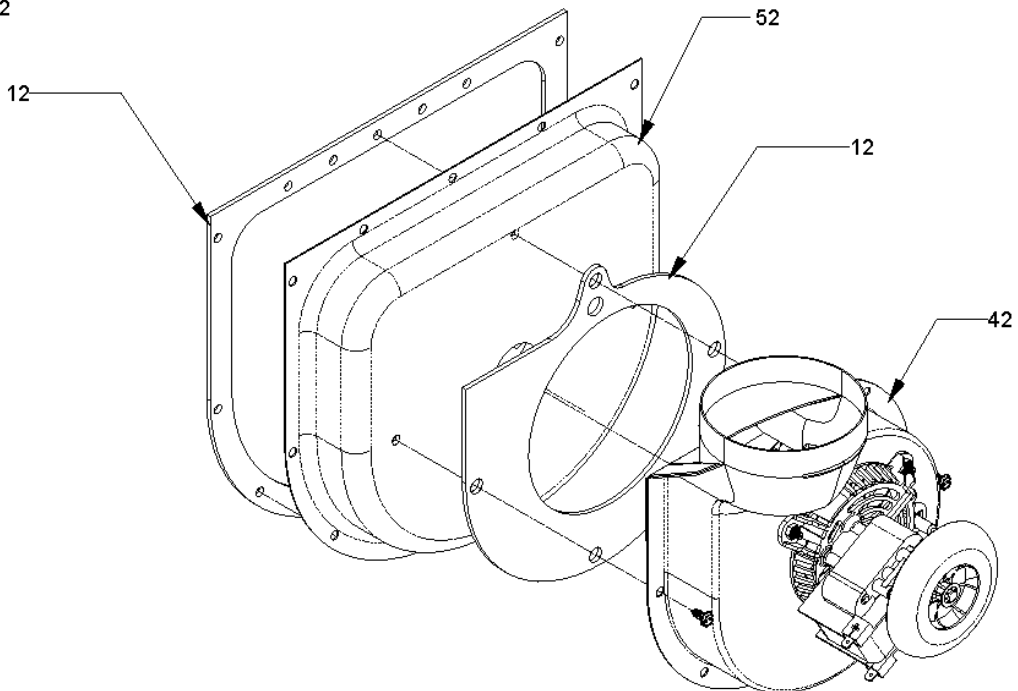


Image 1

Image 2



## Heat Exchanger/Flue Collector Box "BB" models.

| Ref. Part No:   | No:      | Description:  | Ref. Part No: | No: | Description: |
|-----------------|----------|---|---------------|-----|--------------|
| <i>Image 1:</i> |          |   |               |     |              |
| 11              | B1370192 | SWITCH, PRIMARY LIMIT, 230°F (M4)                   |               |     |              |
| 11              | B1370194 | SWITCH, PRIMARY LIMIT, 250°F (M16)                  |               |     |              |
| 11              | B1370195 | SWITCH, PRIMARY LIMIT, 300°F (M8, M12)              |               |     |              |
| 31              | B1282628 | GAS VALVE (M4, M8, M12, M16)                        |               |     |              |
| 41              | B4089343 | ORIFICE (M4, M8, M12, M16)                          |               |     |              |
| 61              | 4021300S | SUB-ASSY, HEAT EXCHANGER 2 CELL 14" (M4)            |               |     |              |
| 61              | 4021307S | SUB-ASSY, HEAT EXCHANGER 3 CELL 14" (M8)            |               |     |              |
| 61              | 4021309S | SUB-ASSY, HEAT EXCHANGER 4 CELL 17.5" (M12)         |               |     |              |
| 61              | 4021311S | SUB-ASSY, HEAT EXCHANGER 5 CELL 21" (M16)           |               |     |              |
| 81              | B4026005 | GAS MANIFOLD 2 CELL (M4)                            |               |     |              |
| 81              | B4026006 | GAS MANIFOLD 3 CELL (M8)                            |               |     |              |
| 81              | B4026007 | GAS MANIFOLD 4 CELL (M12)                           |               |     |              |
| 81              | B4026008 | GAS MANIFOLD 5 CELL (M16)                           |               |     |              |
| 91              | 4028000  | ORIFICE PLATE, 2 CELL (M4)                          |               |     |              |
| 91              | 4028001  | ORIFICE PLATE, 3 CELL (M8)                          |               |     |              |
| 91              | 4028002  | ORIFICE PLATE, 4 CELL (M12)                         |               |     |              |
| 91              | 4028003  | ORIFICE PLATE, 5 CELL (M16)                         |               |     |              |
| NS              | B4068406 | ASSY, WIRE HARNESS IGNITOR 2-PIN (M4, M8, M12, M16) |               |     |              |

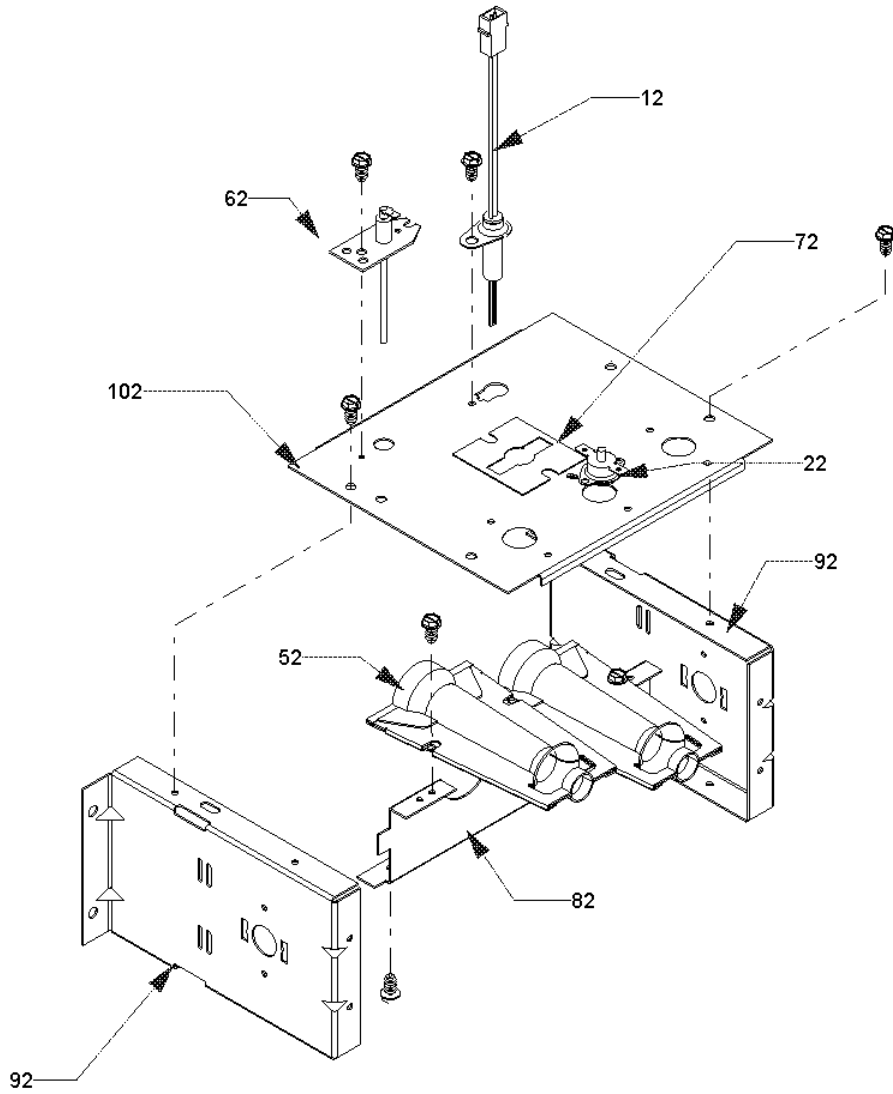
### *Image 2:*

|    |             |   |
|----|-------------|---|
| 12 | B1392633    | GASKET, VENT MOTOR 14" (M4, M8)             |
| 12 | B1392634    | GASKET, VENT MOTOR 17.5" (M12)              |
| 12 | B1392635    | GASKET, VENT MOTOR 21" (M16)                |
| 42 | 0131F00006S | VENT MOTOR, ROUNDNOSE (M4, M8, M12, M16)    |
| 52 | 4010012S    | FLUE COLLECTOR BOX 14" 1.50 DIA MOD A (M4)  |
| 52 | 4010013S    | FLUE COLLECTOR BOX 14" 2.00 DIA MOD A (M8)  |
| 52 | 4010015S    | FLUE COLLECTOR BOX 17.5" 2.00 MOD A (M12)   |
| 52 | 4010017S    | FLUE COLLECTOR BOX 21" 2.25 DIA MOD A (M16) |

### Expanded Model Nomenclature

|                    |
|--------------------|
| M1 - GDS80453ANAA  |
| M2 - GDS80453AXAA  |
| M3 - GDS80453AXBA  |
| M4 - GDS80453AXBB  |
| M5 - GDS80703ANAA  |
| M6 - GDS80703AXAA  |
| M7 - GDS80703AXBA  |
| M8 - GDS80703AXBB  |
| M9 - GDS80904BNAA  |
| M10 - GDS80904BXAA |
| M11 - GDS80904BXBA |
| M12 - GDS80904BXBB |
| M13 - GDS81155CNAA |
| M14 - GDS81155CXAA |
| M15 - GDS81155CXBA |
| M16 - GDS81155CXBB |

# Burner Box



# Burner Box

| Ref. Part No: | Description: | Ref. Part No: | Description: |
|---------------|--------------|---------------|--------------|
|---------------|--------------|---------------|--------------|

Image 1:

|     |            |   |
|-----|------------|---|
| 11  | 0130F00010 | FLAME SENSOR                                |
| 21  | B1370145   | ROLLOUT SWITCH, 300 W/O BRACKET             |
| 51  | B4022700   | ASSY, INSHOT BURNER 3" (QTY AR)             |
| 61  | 20165703S  | IGNITOR                                     |
| 81  | 2513500    | BURNER RACK, 2 CELL (M1, M2, M3, M4)        |
| 81  | 2513501    | BURNER RACK, 3 CELL (M5, M6, M7, M8)        |
| 81  | 2513502    | BURNER RACK, 4 CELL (M9, M10, M11, M12)     |
| 81  | 2513503    | BURNER RACK, 5 CELL (M13, M14, M15, M16)    |
| 91  | 2514000    | SIDE PLATE, BURNER BOX (QTY 2)              |
| 101 | 4013010    | TOP, BURNER BOX 2 CELL (M1, M2, M3, M4)     |
| 101 | 4013011    | TOP, BURNER BOX 3 CELL (M5, M6, M7, M8)     |
| 101 | 4013012    | TOP, BURNER BOX 4 CELL (M9, M10, M11, M12)  |
| 101 | 4013013    | TOP, BURNER BOX 5 CELL (M13, M14, M15, M16) |

Expanded Model Nomenclature

|                    |
|--------------------|
| M1 - GDS80453ANAA  |
| M2 - GDS80453AXAA  |
| M3 - GDS80453AXBA  |
| M4 - GDS80453AXBB  |
| M5 - GDS80703ANAA  |
| M6 - GDS80703AXAA  |
| M7 - GDS80703AXBA  |
| M8 - GDS80703AXBB  |
| M9 - GDS80904BNAA  |
| M10 - GDS80904BXAA |
| M11 - GDS80904BXBA |
| M12 - GDS80904BXBB |
| M13 - GDS81155CNAA |
| M14 - GDS81155CXAA |
| M15 - GDS81155CXBA |
| M16 - GDS81155CXBB |