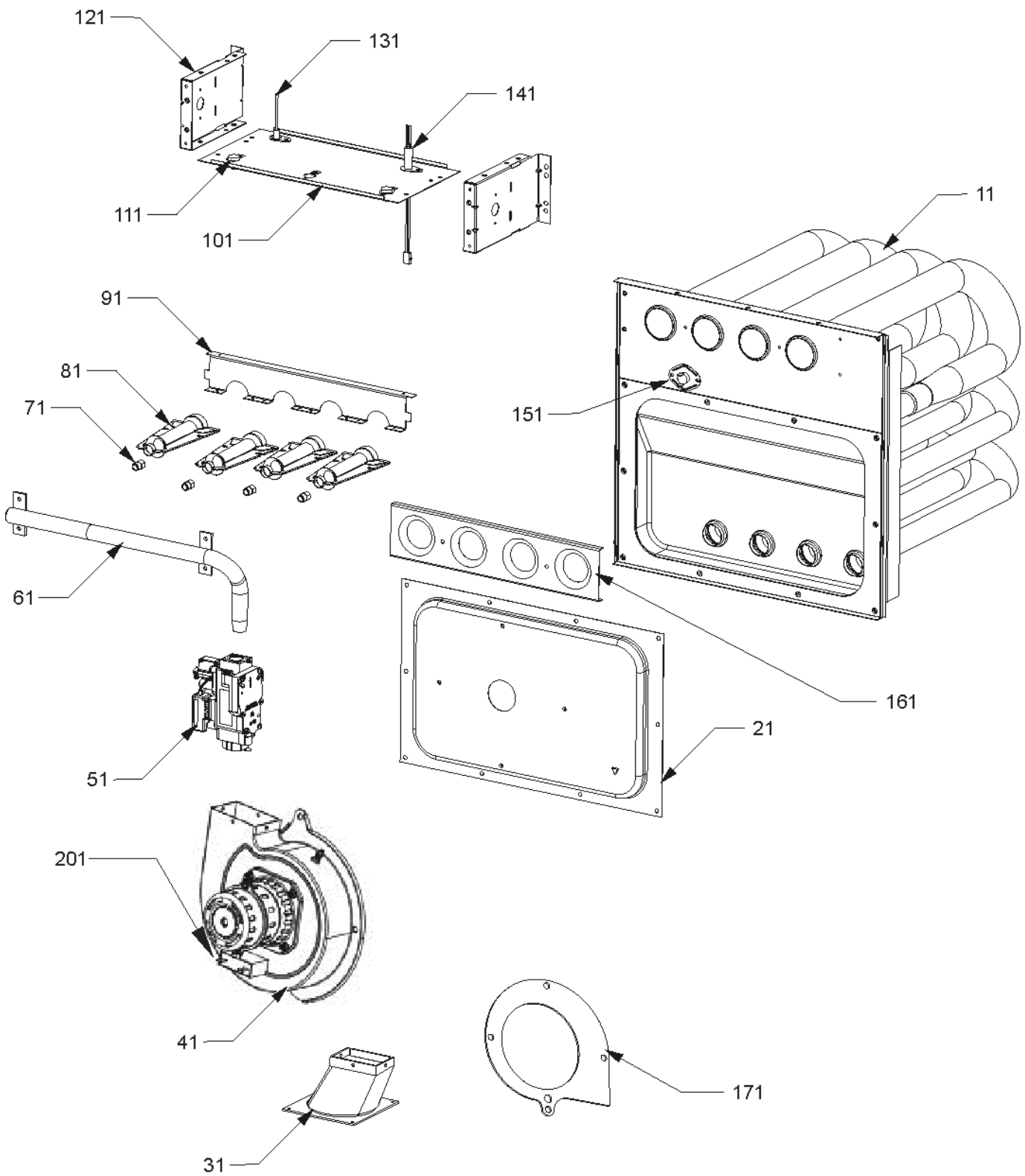


Heat Exchanger Assy



Heat Exchanger Assy

| Ref. Part No: No: | Description: | Ref. Part No: No: | Description: | | | | | | | | | | | | | | | | | | | | | | | | |
|--------------------|--|--|---|-------------------|-------------------|-------------------|-------------------|-------------------|-------------------|-------------------|-------------------|-------------------|--------------------|--------------------|--------------------|--------------------|--------------------|--------------------|--------------------|--------------------|--------------------|--------------------|--------------------|--------------------|--------------------|--------------------|--------------------|
| <i>Image 1:</i> | | <i>Image 1:</i> | | | | | | | | | | | | | | | | | | | | | | | | | |
| 11 0270F00900 | HEAT EXCHANGER ASSY (M1, M2, M3, M4, M5, M6) | 151 20162901 | LIMIT (M20, M21, M23, M24) | | | | | | | | | | | | | | | | | | | | | | | | |
| 11 0270F00901 | HEAT EXCHANGER ASSY (M7, M8, M9, M10, M11, M12) | 151 0130F00036 | PRIMARY LIMIT - PINK (M2, M3, M5, M6, M8, M9, M11, M12, M13, M14, M15, M16, M17, M18, M19, M22) | | | | | | | | | | | | | | | | | | | | | | | | |
| 11 0270F00902 | HEAT EXCHANGER ASSY (M13, M14, M15, M16, M17, M18) | 151 0130F00035 | PRIMARY LIMIT - PURPLE 220° (M1, M4, M7, M10) | | | | | | | | | | | | | | | | | | | | | | | | |
| 11 0270F00903 | HEAT EXCHANGER ASSY (M19, M20, M21, M22, M23, M24) | 161 4028000 | ORIFICE SHIELD 2 CELL (M1, M2, M3, M4, M5, M6) | | | | | | | | | | | | | | | | | | | | | | | | |
| 11 4028003 | ORIFICE SHIELD 5 CELL (M19, M20, M21, M22, M23, M24) | 161 4028001 | ORIFICE SHIELD 3 CELL (M7, M8, M9, M10, M11, M12) | | | | | | | | | | | | | | | | | | | | | | | | |
| 21 0121F00327 | 14" COLLECTOR BOX 1.125" DIA (M2, M3, M5, M6) | 161 4028002 | ORIFICE SHIELD 4 CELL (M13, M14, M15, M16, M17, M18) | | | | | | | | | | | | | | | | | | | | | | | | |
| 21 0121F00364 | 14" FLUE COLLECTOR BOX 1.5"DIA (M8, M9, M11, M12) | 171 0154F00003 | VENT MOTOR GASKET 14" (M1, M2, M3, M4, M5, M6, M7, M8, M9, M10, M11, M12) | | | | | | | | | | | | | | | | | | | | | | | | |
| 21 0121F00334 | 21" COLLECTOR BOX 1.625" DIA (M20, M21, M23, M24) | 171 0154F00004 | VENT MOTOR GASKET 17.5" (M13, M14, M15, M16, M17, M18) | | | | | | | | | | | | | | | | | | | | | | | | |
| 21 0121F00126 | FLUE COLLECTOR BOX KIT 14" 1.25 DIA (M1, M4) | 171 0154F00005 | VENT MOTOR GASKET 21" (M19, M20, M21, M22, M23, M24) | | | | | | | | | | | | | | | | | | | | | | | | |
| 21 0121F00208 | FLUE COLLECTOR BOX KIT 14" 2.5 DIA (M7, M10) | 201 DY6.186.070 | VENT MOTOR CAPACITOR | | | | | | | | | | | | | | | | | | | | | | | | |
| 21 0121F00128 | FLUE COLLECTOR BOX KIT 17.5" 1.75 DIA (M14, M15, M17, M18) | Expanded Model Nomenclature | | | | | | | | | | | | | | | | | | | | | | | | | |
| 21 0121F00201 | FLUE COLLECTOR BOX KIT 17.5", 2.5 DIA (M13, M16) | <table border="1"> <tr><td>M1 - GDS80403ANAA</td></tr> <tr><td>M2 - GDS80403ANBA</td></tr> <tr><td>M3 - GDS80403ANBB</td></tr> <tr><td>M4 - GDS80403AXAA</td></tr> <tr><td>M5 - GDS80403AXBA</td></tr> <tr><td>M6 - GDS80403AXBB</td></tr> <tr><td>M7 - GDS80603ANAA</td></tr> <tr><td>M8 - GDS80603ANBA</td></tr> <tr><td>M9 - GDS80603ANBB</td></tr> <tr><td>M10 - GDS80603AXAA</td></tr> <tr><td>M11 - GDS80603AXBA</td></tr> <tr><td>M12 - GDS80603AXBB</td></tr> <tr><td>M13 - GDS80804BNAA</td></tr> <tr><td>M14 - GDS80804BNBA</td></tr> <tr><td>M15 - GDS80804BNBB</td></tr> <tr><td>M16 - GDS80804BXAA</td></tr> <tr><td>M17 - GDS80804BXBA</td></tr> <tr><td>M18 - GDS80804BXBB</td></tr> <tr><td>M19 - GDS81005CNAA</td></tr> <tr><td>M20 - GDS81005CNBA</td></tr> <tr><td>M21 - GDS81005CNBB</td></tr> <tr><td>M22 - GDS81005CXAA</td></tr> <tr><td>M23 - GDS81005CXBA</td></tr> <tr><td>M24 - GDS81005CXBB</td></tr> </table> | | M1 - GDS80403ANAA | M2 - GDS80403ANBA | M3 - GDS80403ANBB | M4 - GDS80403AXAA | M5 - GDS80403AXBA | M6 - GDS80403AXBB | M7 - GDS80603ANAA | M8 - GDS80603ANBA | M9 - GDS80603ANBB | M10 - GDS80603AXAA | M11 - GDS80603AXBA | M12 - GDS80603AXBB | M13 - GDS80804BNAA | M14 - GDS80804BNBA | M15 - GDS80804BNBB | M16 - GDS80804BXAA | M17 - GDS80804BXBA | M18 - GDS80804BXBB | M19 - GDS81005CNAA | M20 - GDS81005CNBA | M21 - GDS81005CNBB | M22 - GDS81005CXAA | M23 - GDS81005CXBA | M24 - GDS81005CXBB |
| M1 - GDS80403ANAA | | | | | | | | | | | | | | | | | | | | | | | | | | | |
| M2 - GDS80403ANBA | | | | | | | | | | | | | | | | | | | | | | | | | | | |
| M3 - GDS80403ANBB | | | | | | | | | | | | | | | | | | | | | | | | | | | |
| M4 - GDS80403AXAA | | | | | | | | | | | | | | | | | | | | | | | | | | | |
| M5 - GDS80403AXBA | | | | | | | | | | | | | | | | | | | | | | | | | | | |
| M6 - GDS80403AXBB | | | | | | | | | | | | | | | | | | | | | | | | | | | |
| M7 - GDS80603ANAA | | | | | | | | | | | | | | | | | | | | | | | | | | | |
| M8 - GDS80603ANBA | | | | | | | | | | | | | | | | | | | | | | | | | | | |
| M9 - GDS80603ANBB | | | | | | | | | | | | | | | | | | | | | | | | | | | |
| M10 - GDS80603AXAA | | | | | | | | | | | | | | | | | | | | | | | | | | | |
| M11 - GDS80603AXBA | | | | | | | | | | | | | | | | | | | | | | | | | | | |
| M12 - GDS80603AXBB | | | | | | | | | | | | | | | | | | | | | | | | | | | |
| M13 - GDS80804BNAA | | | | | | | | | | | | | | | | | | | | | | | | | | | |
| M14 - GDS80804BNBA | | | | | | | | | | | | | | | | | | | | | | | | | | | |
| M15 - GDS80804BNBB | | | | | | | | | | | | | | | | | | | | | | | | | | | |
| M16 - GDS80804BXAA | | | | | | | | | | | | | | | | | | | | | | | | | | | |
| M17 - GDS80804BXBA | | | | | | | | | | | | | | | | | | | | | | | | | | | |
| M18 - GDS80804BXBB | | | | | | | | | | | | | | | | | | | | | | | | | | | |
| M19 - GDS81005CNAA | | | | | | | | | | | | | | | | | | | | | | | | | | | |
| M20 - GDS81005CNBA | | | | | | | | | | | | | | | | | | | | | | | | | | | |
| M21 - GDS81005CNBB | | | | | | | | | | | | | | | | | | | | | | | | | | | |
| M22 - GDS81005CXAA | | | | | | | | | | | | | | | | | | | | | | | | | | | |
| M23 - GDS81005CXBA | | | | | | | | | | | | | | | | | | | | | | | | | | | |
| M24 - GDS81005CXBB | | | | | | | | | | | | | | | | | | | | | | | | | | | |
| 21 0121F00200 | FLUE COLLECTOR BOX KIT 21" 2.75 DIA (M19, M22) | | | | | | | | | | | | | | | | | | | | | | | | | | |
| 31 0128F00006 | CHIMNEY TRANSITION BOTTOM | | | | | | | | | | | | | | | | | | | | | | | | | | |
| 41 0131M00002 | VENT MOTOR | | | | | | | | | | | | | | | | | | | | | | | | | | |
| 61 0120F00006 | MANIFOLD (M1, M2, M3, M4, M5, M6) | | | | | | | | | | | | | | | | | | | | | | | | | | |
| 61 0120F00007 | MANIFOLD (M7, M8, M9, M10, M11, M12) | | | | | | | | | | | | | | | | | | | | | | | | | | |
| 61 0120F00008 | MANIFOLD (M13, M14, M15, M16, M17, M18) | | | | | | | | | | | | | | | | | | | | | | | | | | |
| 61 0120F00009 | MANIFOLD (M19, M20, M21, M22, M23, M24) | | | | | | | | | | | | | | | | | | | | | | | | | | |
| 71 10716003 | ORIFICE (M1, M4, M7, M10, M13, M16, M19, M22) | | | | | | | | | | | | | | | | | | | | | | | | | | |
| 71 B4089345 | ORIFICE (M2, M3, M5, M6, M8, M9, M11, M12, M14, M15, M17, M18, M20, M21, M23, M24) | | | | | | | | | | | | | | | | | | | | | | | | | | |
| 81 B4022700 | INSHOT BURNER ASSY 3" (QTY A/R) | | | | | | | | | | | | | | | | | | | | | | | | | | |
| 91 0121F00167 | BURNER BRACKET 2B (M1, M2, M3, M4, M5, M6) | | | | | | | | | | | | | | | | | | | | | | | | | | |
| 91 0121F00168 | BURNER BRACKET 3B (M7, M8, M9, M10, M11, M12) | | | | | | | | | | | | | | | | | | | | | | | | | | |
| 91 0121F00169 | BURNER BRACKET 4B (M13, M14, M15, M16, M17, M18) | | | | | | | | | | | | | | | | | | | | | | | | | | |
| 91 0121F00170 | BURNER BRACKET 5B (M19, M20, M21, M22, M23, M24) | | | | | | | | | | | | | | | | | | | | | | | | | | |
| 101 0121F00162 | BURNER BOX TOP 2 CELL (M1, M2, M3, M4, M5, M6) | | | | | | | | | | | | | | | | | | | | | | | | | | |
| 101 0121F00163 | BURNER BOX TOP 3 CELL (M7, M8, M9, M10, M11, M12) | | | | | | | | | | | | | | | | | | | | | | | | | | |
| 101 0121F00164 | BURNER BOX TOP 4 CELL (M13, M14, M15, M16, M17, M18) | | | | | | | | | | | | | | | | | | | | | | | | | | |
| 101 0121F00165 | BURNER BOX TOP 5 CELL (M19, M20, M21, M22, M23, M24) | | | | | | | | | | | | | | | | | | | | | | | | | | |
| 111 10123529 | MANUAL RESET LIMIT | | | | | | | | | | | | | | | | | | | | | | | | | | |
| 121 0121F00146 | BURNER BOX SIDE (QTY 2) | | | | | | | | | | | | | | | | | | | | | | | | | | |
| 131 0130F00010 | FLAME SENSOR | | | | | | | | | | | | | | | | | | | | | | | | | | |
| 141 20165703 | IGNITOR | | | | | | | | | | | | | | | | | | | | | | | | | | |