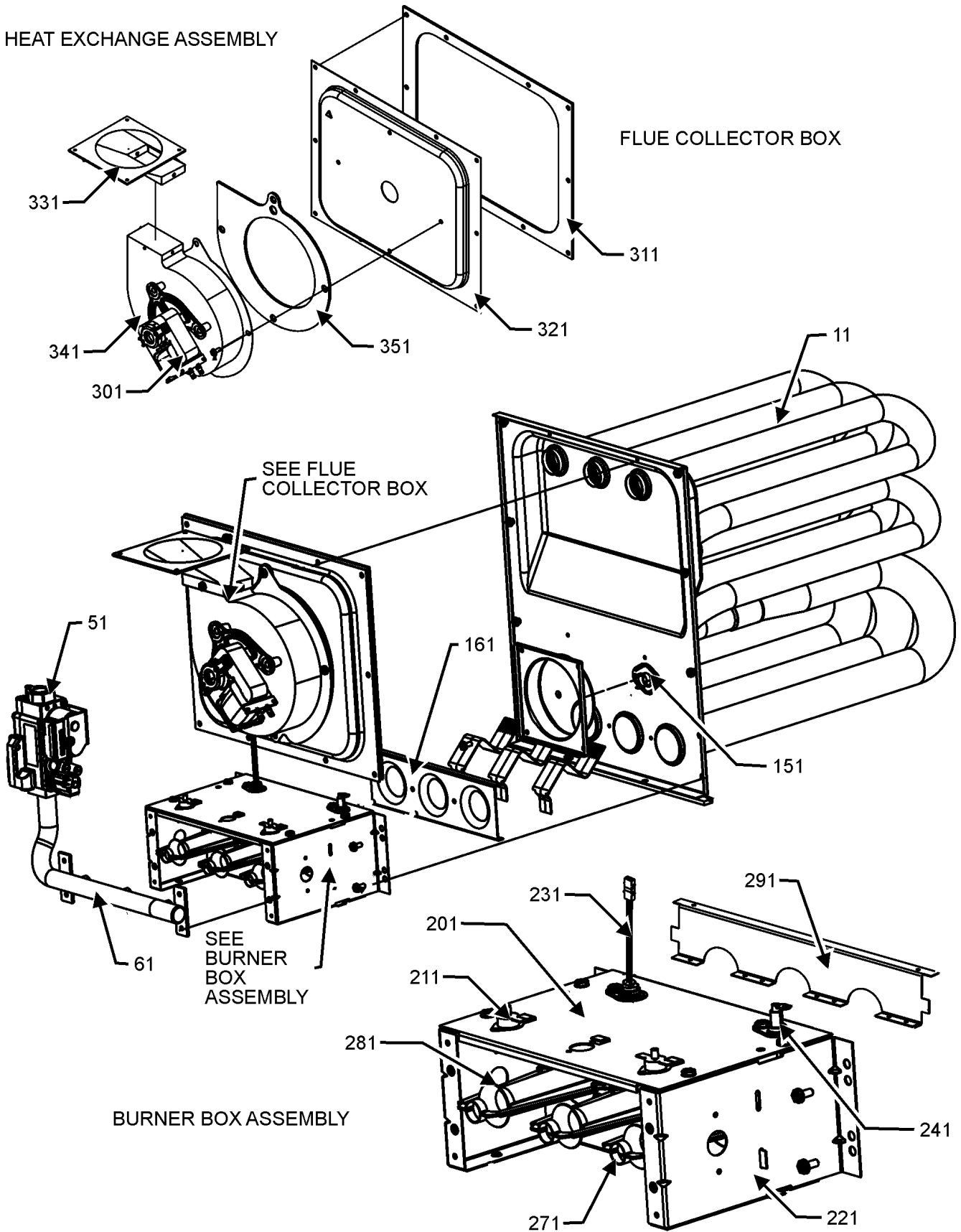


Heat Exchange Assembly

HEAT EXCHANGE ASSEMBLY



Heat Exchange Assembly

Ref. Part No:	Description:	Ref. Part No:	Description:																			
Image 1:		Image 1:																				
11	0270F00900 HEAT EXCHANGER ASSY (M1, M2)	321	0121F00128 COLLECTOR BOX 17.5" 1.75 DIA (M5, M6, M7, M8, M9, M10, M11, M12)																			
11	0270F00901 HEAT EXCHANGER ASSY (M3, M4)	321	0121F00198 COLLECTOR BOX, 14" 1.75 DIA (M3, M4)																			
11	0270F00902 HEAT EXCHANGER ASSY (M9, M10, M11, M12)	331	0128F00006 CHIMNEY TRANSITION BOTTOM																			
11	0270F00903 HEAT EXCHANGER ASSY (M17, M18)	341	0131M00002P MOTOR, VENT 80+																			
11	0270F00904 HEAT EXCHANGER ASSY (M19)	351	0154F00003 GASKET-14 INCH (M1, M2, M3, M4)																			
11	0270F00929 HEAT EXCHANGER ASSY (M5, M6, M7, M8)	351	0154F00004 GASKET-17.5 INCH (M5, M6, M7, M8, M9, M10, M11, M12)																			
11	0270F00930 HEAT EXCHANGER ASSY (M13, M14, M15, M16)	351	0154F00005 GASKET-21 INCH (M13, M14, M15, M16, M17, M18)																			
51	0151M00037 GAS VALVE	351	0154F00006 GASKET-24.5 INCH (M19)																			
61	0120F00006 MANIFOLD (M1, M2)	NS	0259F00054 HARNESS, WIRE ASSY 12 PIN (80%)																			
61	0120F00007 MANIFOLD (M3, M4, M5, M6, M7, M8)	NS	0159F00099 WIRE HARNESS ASSY, IGNITOR																			
61	0120F00008 MANIFOLD (M9, M10, M11, M12, M13, M14, M15, M16)	NS	0259F00078 WIRE KIT ASSY.																			
61	0120F00009 MANIFOLD (M17, M18)	NS	0159F00076 WIRING HARNESS																			
61	0120F00010 MANIFOLD (M19)																					
151	20162904 *PRIMARY LIMIT-TEMPERATURE CONTROL (M3, M4, M5, M6, M7, M8, M9, M10, M11, M12, M17, M18) *Refer to service bulletin SF-054	Expanded Model Nomenclature																				
151	20162901 LIMIT (M1, M2)	<table border="1"> <tr><td>M1 - GMES800403ANAA</td></tr> <tr><td>M2 - GMES800403AXAA</td></tr> <tr><td>M3 - GMES800603ANAA</td></tr> <tr><td>M4 - GMES800603AXAA</td></tr> <tr><td>M5 - GMES800603BNAA</td></tr> <tr><td>M6 - GMES800603BXAA</td></tr> <tr><td>M7 - GMES800604BNAA</td></tr> <tr><td>M8 - GMES800604BXAA</td></tr> <tr><td>M9 - GMES800803BNAA</td></tr> <tr><td>M10 - GMES800803BXAA</td></tr> <tr><td>M11 - GMES800804BNAA</td></tr> <tr><td>M12 - GMES800804BXAA</td></tr> <tr><td>M13 - GMES800804CNAA</td></tr> <tr><td>M14 - GMES800804CXAA</td></tr> <tr><td>M15 - GMES800805CNAA</td></tr> <tr><td>M16 - GMES800805CXAA</td></tr> <tr><td>M17 - GMES801005CNAA</td></tr> <tr><td>M18 - GMES801005CXAA</td></tr> <tr><td>M19 - GMES801205DNAA</td></tr> </table>		M1 - GMES800403ANAA	M2 - GMES800403AXAA	M3 - GMES800603ANAA	M4 - GMES800603AXAA	M5 - GMES800603BNAA	M6 - GMES800603BXAA	M7 - GMES800604BNAA	M8 - GMES800604BXAA	M9 - GMES800803BNAA	M10 - GMES800803BXAA	M11 - GMES800804BNAA	M12 - GMES800804BXAA	M13 - GMES800804CNAA	M14 - GMES800804CXAA	M15 - GMES800805CNAA	M16 - GMES800805CXAA	M17 - GMES801005CNAA	M18 - GMES801005CXAA	M19 - GMES801205DNAA
M1 - GMES800403ANAA																						
M2 - GMES800403AXAA																						
M3 - GMES800603ANAA																						
M4 - GMES800603AXAA																						
M5 - GMES800603BNAA																						
M6 - GMES800603BXAA																						
M7 - GMES800604BNAA																						
M8 - GMES800604BXAA																						
M9 - GMES800803BNAA																						
M10 - GMES800803BXAA																						
M11 - GMES800804BNAA																						
M12 - GMES800804BXAA																						
M13 - GMES800804CNAA																						
M14 - GMES800804CXAA																						
M15 - GMES800805CNAA																						
M16 - GMES800805CXAA																						
M17 - GMES801005CNAA																						
M18 - GMES801005CXAA																						
M19 - GMES801205DNAA																						
151	20162903 LIMIT (M13, M14, M15, M16, M19)																					
161	4028000 ORIFICE PLATE, 2CELL (M1, M2)																					
161	4028001 ORIFICE PLATE, 3CELL (M3, M4, M5, M6, M7, M8)																					
161	4028002 ORIFICE PLATE, 4 CELL (M9, M10, M11, M12, M13, M14, M15, M16)																					
161	4028003 ORIFICE PLATE, 5CELL (M17, M18)																					
161	4028004 ORIFICE PLATE, 6CELL (M19)																					
201	0121F00162 TOP, BURNER BOX 2 CELL (M1, M2)																					
201	0121F00163 TOP, BURNER BOX 3 CELL (M3, M4, M5, M6, M7, M8)																					
201	0121F00164 TOP, BURNER BOX 4 CELL (M9, M10, M11, M12, M13, M14, M15, M16)																					
201	0121F00165 TOP, BURNER BOX 5 CELL (M17, M18)																					
201	0121F00166 TOP, BURNER BOX 6 CELL (M19)																					
211	10123529 MANUAL RESET R.O.S. LIMIT (QTY 2)																					
221	0121F00146 SIDE PLATE BURNER BOX (QTY 2)																					
231	0130F00008 SINI IGNITOR																					
241	0130F00010 FLAME SENSOR																					
271	10716005 ORIFICE (QTY 2)																					
281	B4022700 INSHOT BURNER ASSY 3" (QTY 2)																					
291	0121F00167 BURNER RACK, 2 CELL (M1, M2)																					
291	0121F00168 BURNER RACK, 3 CELL (M3, M4, M5, M6, M7, M8)																					
291	0121F00169 BURNER RACK, 4 CELL (M9, M10, M11, M12, M13, M14, M15, M16)																					
291	0121F00170 BURNER RACK, 5 CELL (M17, M18)																					
291	0121F00171 BURNER RACK, 6 CELL (M19)																					
301	DY6.186.070 VENT MOTOR CAPACITOR																					
311	0154F00003 GASKET-14 INCH (M1, M2, M3, M4)																					
311	0154F00004 GASKET-17.5 INCH (M5, M6, M7, M8, M9, M10, M11, M12)																					
311	0154F00005 GASKET-21 INCH (M13, M14, M15, M16, M17, M18)																					
311	0154F00006 GASKET-24.5 INCH (M19)																					
321	0121F00333 21" COLLECTOR BOX 1.75" DIA (M13, M14, M15, M16)																					
321	0121F00330 24.5" COLLECTOR BOX 2.125" DIA (M19)																					
321	0121F00217 COLLECTOR BOX (M17, M18)																					
321	0121F00126 COLLECTOR BOX 14" 1.375 DIA (M1, M2)																					