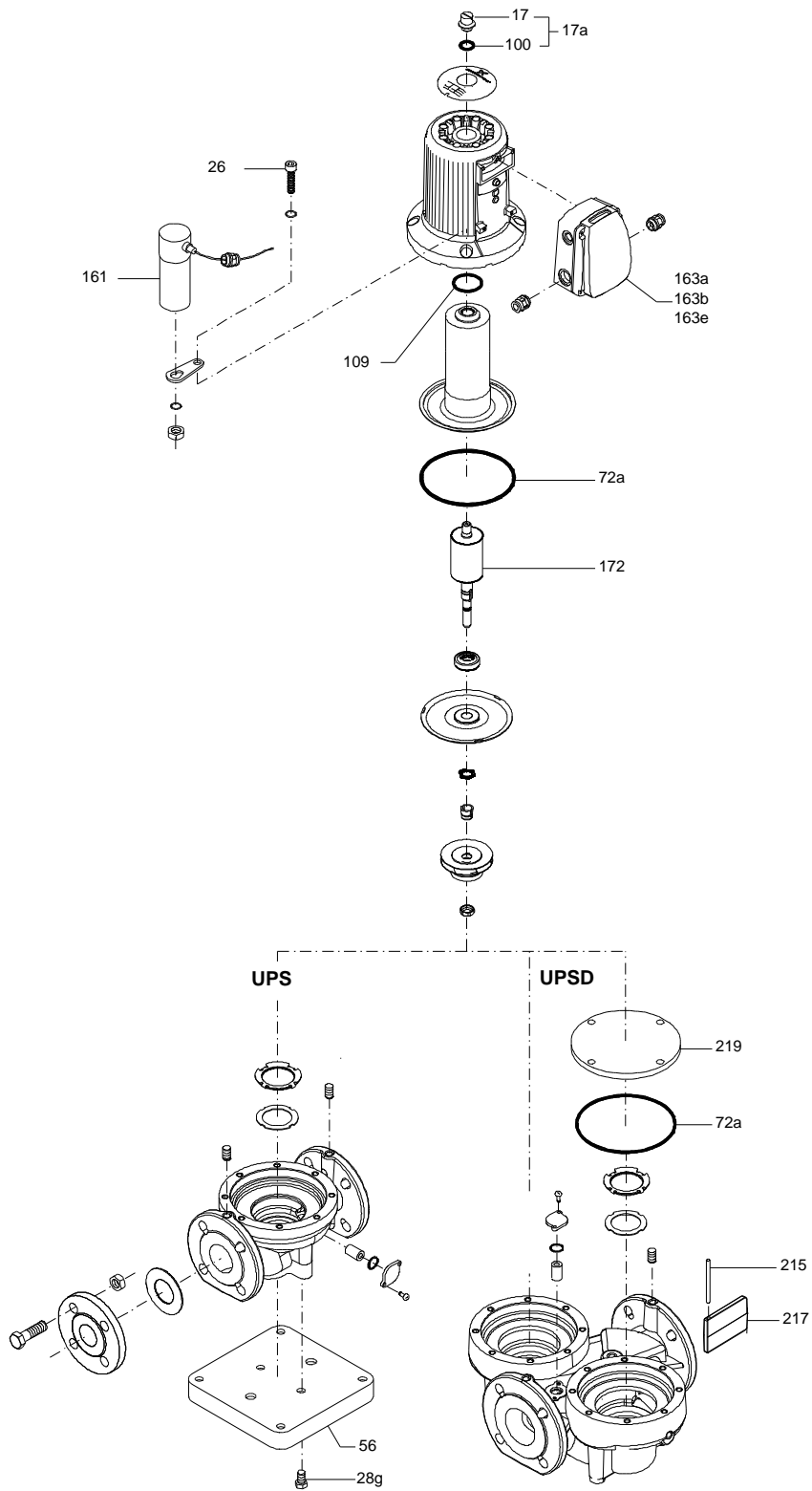


Service parts UPS 40-80/2 F, Prod number 96402762
Valid from 1.4.1995 (9513)

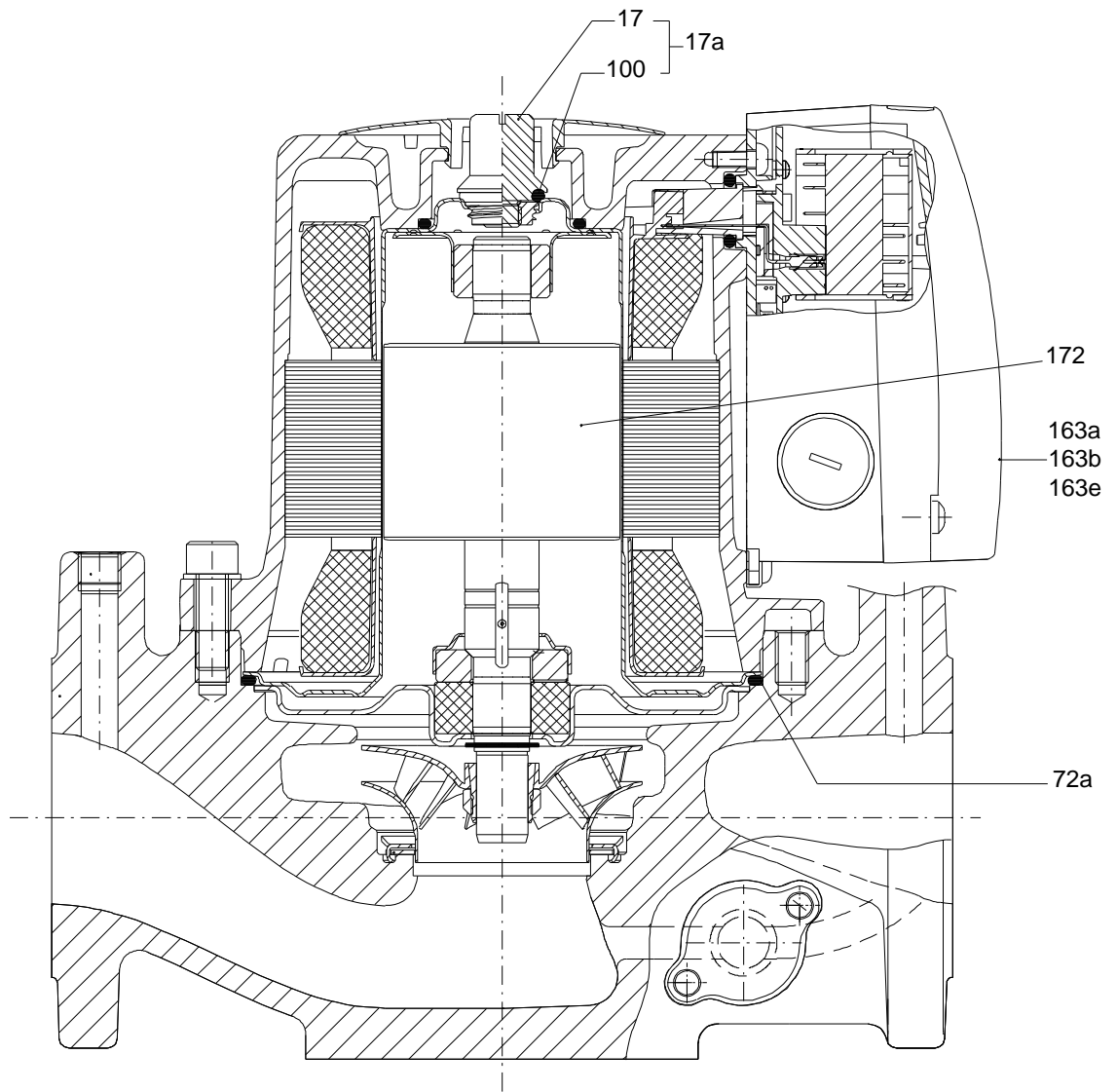
-	Kit, gaskets		96406940	1	pcs
	Gasket			1	pcs
	Gasket			1	pcs
19d	O-ring			1	pcs
72a	O-ring	Diameter: 113		1	pcs
		Material type: EPDM			
		Thickness: 3			
72a	O-ring	Diameter: 155		1	pcs
		Material type: EPDM			
		Thickness: 4			
100	O-ring	Diameter: 18		1	pcs
		Material type: EPDM			
		Thickness: 4			
-	Pump head		96407089	1	pcs
	Stator set			1	pcs
- 17a	Inspection screw cpl.			1	pcs
17	Air vent			1	pcs
100	O-ring			1	pcs
26	Screw			3	pcs
109	O-ring			1	pcs
172b	Shaft w/impeller			1	pcs

Exploded view (TM010410 3905)



TM010410

Sectional drawing (TM010371 3905)



TM010371