

Electronic Controls

Intermatic offers a full line of 24-hour, 7-day, and dusk-to-dawn astronomic Electronic Time Controls to satisfy nearly any price point, schedule, or feature set that may be needed to fulfill a customer's needs.

The Basic Series handles simple schedules; the Basic Plus Series accommodates basic schedules that also require some tweaks, such as holidays or special events; and the Advanced Series can automate even the most demanding and constantly changing schedules.

From straightforward 24-hour, to 7-day with off-day and holiday exceptions, to complex 365-day advanced BEMS integration, we are working diligently to ensure that simple and affordable controls are available to meet all of your application needs.

Contents

Advanced 365-Day Astronomic Time Switches	8-9
BEMS Interface Box	10
Electronic Time Switches Selection Guide	11
Basic Plus Series Time Switches	12-13
Basic Series Time Switches	14-15
Cellular Control	16-17



ET91615CR



ET90215CRE



ET90115C

ET90000 Series

365-Day Astronomic Time Switches

The ET90000 Series combines powerful and intuitive scheduling with truly maintenance-free convenience. The PC App and Mobile App provide real-time remote control, and the USB connection and Ethernet capabilities enable in-field updates.

Applications

- School districts • Banks • Small hotels • Franchises • Retail stores
- Municipalities • Parking lots • Offices

Features

- Automatic input voltage selection from 120 to 277 VAC, 50/60 Hz
- Over 2,000 events plus holiday schedules
- Advanced scheduling including relative dating, such as fourth Thursday of November or first week of year
- 30 A rated contacts
- 100-hour supercapacitor eliminates the need for batteries
- USB connection for uploading, downloading and transferring programs
- Easy-to-follow on-screen menus for programming to-the-minute accuracy
- Non-volatile memory protects programming indefinitely
- Firmware upgradable in-field via USB or Ethernet
- Internally expandable, in 4-circuit increments, up to 16-circuits for 4, 8, and 12-circuit models
- PC App for easy scheduling or control, either remotely or through USB flash drive
- Mobile app for real time status and overrides

Load Type	NO (Normally Open)	NC (Normally Closed)	Voltage
General Purpose & Resistive	30 A	—	12-240 VAC
General Purpose & Resistive	20 A	10 A	12-240 VAC
Resistive	20 A	10 A	28 VDC
Magnetic Ballast	20 A	3 A	120-277 VAC
Tungsten	5 A	—	12-120 VAC
Pilot Duty	470 VA	275 VA	120-240 VAC
Motor	1 HP	¼ HP	120 VAC
Motor	2 HP	½ HP	240 VAC

Model #	Circuits	Enclosure	Ethernet
ET90115C	1	Type 1 Metal	Optional
ET90115CE	1	Type 1 Metal	Included
ET90115CR	1	Type 3R Metal	Optional
ET90115CRE	1	Type 3R Metal	Included
ET90115M*	1	—	Optional
ET90215C	2	Type 1 Metal	Optional
ET90215CE	2	Type 1 Metal	Included
ET90215CR	2	Type 3R Metal	Optional
ET90215CRE	2	Type 3R Metal	Included
ET90215M*	2	—	Optional
ET90415CR	4	Type 3R Metal	Included
ET90815CR	8	Type 3R Metal	Included
ET91215CR	12	Type 3R Metal	Included
ET91615CR	16	Type 3R Metal	Included

*Replacements for 1 & 2 circuits only.

Note: The electronic mechanism snaps into the standard Intermatic enclosure for easy upgrading of mechanical mechanisms, if desired.

Accessories

Door Assembly	ET9100
Ethernet Module	ET9232
Relay Module	ET9250



Ratings	
Cycle	50/60 Hz
Wiring Terminals	#20 to #6 AWG wire
MIN ON/OFF Times	1 second
MAX ON/OFF Times	365 days
Operating Temperature	-40° F to 104° F (-40° C to 40° C)
Warranty	3-year limited

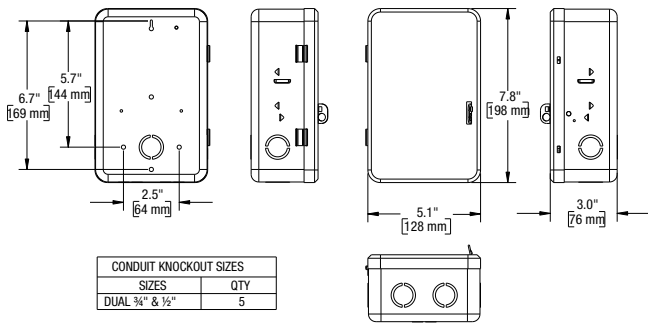
Selection Guide

Scan the QR code with your smartphone or tablet for a side-by-side comparison of our electronic control features.

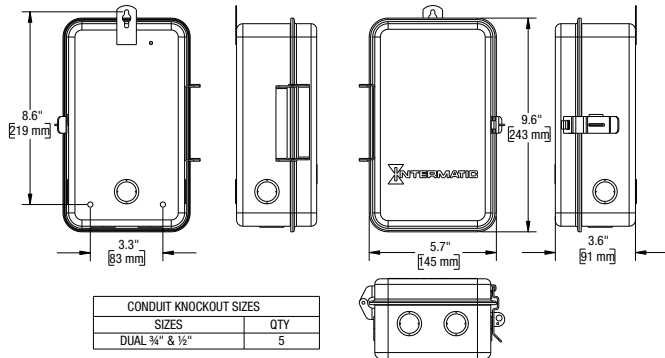


Enclosure Dimensions

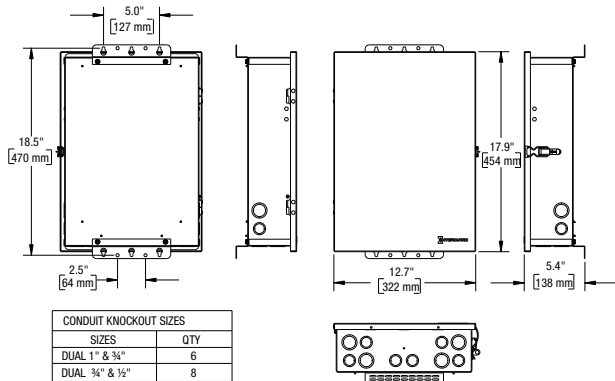
Type 1, 1-2 Circuit



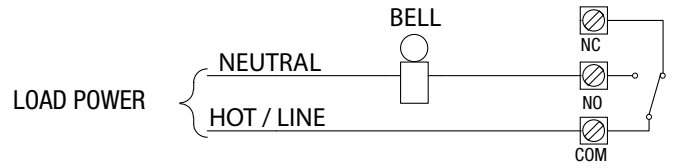
Type 3R, 1-2 Circuit



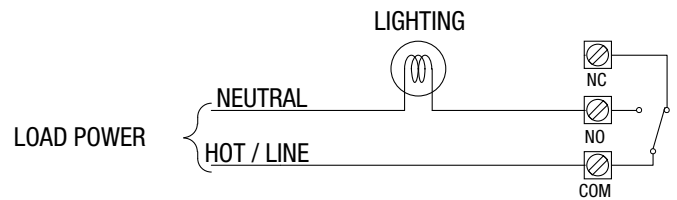
Type 3R, 4-16 Circuit



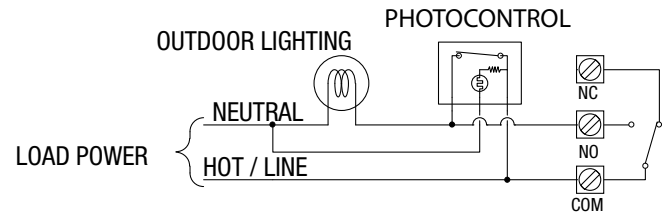
Wiring Diagrams



Typical bell, buzzer, or ringing installation. Multiple loads may be wired concurrently, within the maximum output ratings for the circuit.



Typical lighting installation. Multiple loads may be wired concurrently, within the maximum output ratings for the circuit.



Typical installation for photocontrol in parallel with time switch contacts. Either the time switch OR the photocontrol must be ON to power the load. Ideal for improved safety. Loads will activate at the scheduled times, at night, or during low-light conditions such as a storm.

ET90000 Apps

ET90000 PC App



The ET90000 PC App enables real-time remote control of each ET90000 device from the convenience of your laptop. It's a great tool for creating schedules before, during, or after installation. Plus, with the PC App you can control circuits, perform firmware updates, or download events, zones, and holidays from wherever you are working.

ET90000 Mobile App



Use the ET90000 Mobile App to check the status of your circuits in real-time from your smartphone or tablet. The remote override feature allows you to conveniently make quick changes to currently running schedules.