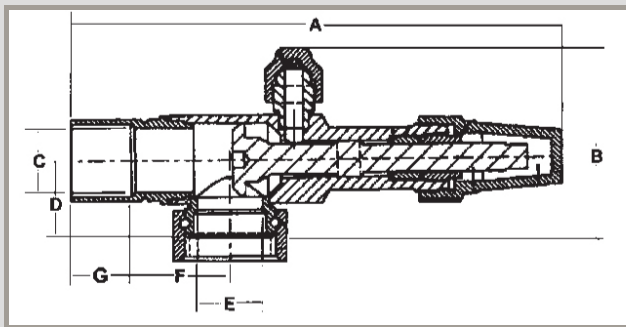




Features:

- Maximum abnormal pressure (MAP): 700 psig, 48 bar
- Continuous operating temperature (COT): -40°F/300°F, -40°C/149°C
- Compatible with all CFC, HCFC and HFC refrigerants and oils
- UL/cUL Recognized, Conforms to Pressure Equipment Directive 97/23/EC
- 100% tested
- Asbestos-free packing material
- Quick-change packing gland allows easy replacement without refrigerant loss
- Solid brass construction for maximum protection in all environmental conditions
- Backseating design



| Part Number | Size | Cv | Kv | A | | B | | C | | D | | E | | F | | Flare Size in | Wt | | Packing Kit |
|-------------|----------------------|-------|-------|-------|-----|------|----|------|----|------|----|------|----|------|----|---------------|------|------|-------------|
| | | | | in | mm | in | mm | in | mm | in | mm | in | mm | in | mm | | lb | kg | |
| B 34418 | * 5/8 X 1 THD | 6.00 | 5.19 | 5.35 | 136 | 2.25 | 57 | 0.55 | 14 | 0.93 | 24 | 0.55 | 14 | 0.17 | 4 | 1/4 | 0.68 | 0.31 | A 17420 |
| B 34417 | * 7/8 X 1 1/4 THD | 15.00 | 12.97 | 6.56 | 167 | 2.40 | 61 | 0.75 | 19 | 1.07 | 27 | 0.75 | 19 | 1.27 | 32 | 1/4 | 1.33 | 0.61 | A 17419 |
| B 34415 | ** 1 3/8 X 1 3/4 THD | 38.00 | 32.87 | 9.52 | 242 | 3.22 | 82 | 1.25 | 32 | 1.41 | 36 | 1.25 | 32 | 1.91 | 49 | 3/8 | 3.26 | 1.48 | A 17419 |
| B 34414 | ** 1 5/8 X 2 1/4 THD | 53.00 | 45.84 | 10.04 | 255 | 3.35 | 85 | 1.50 | 38 | 1.58 | 40 | 1.50 | 38 | 2.19 | 56 | 3/8 | 4.26 | 1.93 | A 17419 |

Torque To Seal

| Part Number | Front Seat | | Back Seat | | Pack Gland | | Rotolock Nut | | Plastic Cap | | Brass Cap | |
|-------------|------------|---------|-----------|---------|------------|---------|--------------|-----------|--------------|--------|-----------|---------|
| | (ft-lb) | (N-m): | (ft-lb) | (N-m): | (ft-lb) | (N-m): | (ft-lb) | (N-m): | (ft-lb) | (N-m): | (ft-lb) | (N-m) |
| B 34418 | 16 - 18 | 22 - 24 | 16 - 18 | 22 - 24 | 8 - 12 | 11 - 16 | 40 - 50 | 54 - 68 | Finger Tight | | | |
| B 34417 | 22 - 40 | 30 - 54 | 25 - 45 | 34 - 61 | 15 - 20 | 20 - 27 | 60 - 80 | 81 - 109 | Finger Tight | | | |
| B 34415 | 22 - 40 | 30 - 54 | 25 - 45 | 34 - 61 | 15 - 20 | 20 - 27 | 60 - 80 | 81 - 109 | | | 40 - 50 | 54 - 68 |
| B 34414 | 22 - 40 | 30 - 54 | 25 - 45 | 34 - 61 | 15 - 20 | 20 - 27 | 80 - 100 | 109 - 136 | | | 40 - 50 | 54 - 68 |

Rotolock Couplings and Line Break Kits

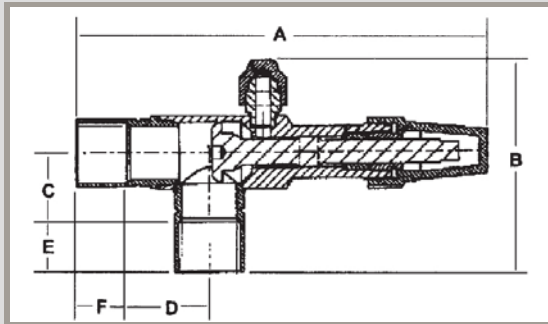
| Union Size | Male Spud | Gasket | Line Break Kit **** |
|------------|-----------|---------|---------------------|
| 1 1/8 | S 36173 | P 36168 | A 17910 |
| 1 3/8 | S 36171 | P 36169 | A 17912 |
| 1 5/8 | S 36164 | P 36167 | A 17908 |

- * Plastic Cap
- ** Brass Cap
- *** Flare Seal Cap and Plastic Seal Cap should be finger tight
- **** Includes Rotolock, Spud and Gasket
- ***** Consult factory



Features:

- Maximum abnormal pressure (MAP): 700 psig, 48 bar
- Continuous operating temperature (COT): -40°F/300°F, -40°C/149°C
- Compatible with all CFC, HCFC and HFC refrigerants and oils
- UL/cUL Recognized, Conforms to Pressure Equipment Directive 97/23/EC
- 100% tested
- Asbestos-free packing material
- Quick-change packing gland allows easy replacement without refrigerant loss
- Solid brass construction for maximum protection in all environmental conditions
- Backseating design



| Part Number | Size | Cv | Kv | A | | B | | C | | D | | E | | F | | Flare Size in | Wt | | Packing Kit |
|-------------|------------------|-------|-------|------|-----|------|-----|------|----|------|----|------|----|------|----|---------------|------|------|-------------|
| | | | | in | mm | in | mm | in | mm | in | mm | in | mm | in | mm | | lb | kg | |
| B 34413 | * 5/8 X 5/8 | 6.00 | 5.19 | 5.38 | 137 | 2.58 | 66 | 0.84 | 21 | 1.17 | 30 | 0.50 | 13 | 0.50 | 13 | 1/4 | 0.56 | 0.25 | A 17420 |
| B 34412 | * 7/8 X 7/8 | 15.00 | 12.97 | 6.52 | 166 | 3.09 | 78 | 0.91 | 23 | 1.27 | 32 | 0.75 | 19 | 0.75 | 19 | 1/4 | 1.10 | 0.50 | A 17419 |
| B 35224 | * 1 1/8 X 1 1/8 | 25.00 | 21.62 | 7.58 | 193 | 3.77 | 96 | 1.31 | 33 | 1.50 | 38 | 0.94 | 24 | 0.94 | 24 | 3/8 | 1.85 | 0.84 | A 17419 |
| B 34778 | ** 1 1/8 X 1 1/8 | | | 7.58 | 193 | 3.77 | 96 | 1.31 | 33 | 1.50 | 38 | 1.00 | 25 | 0.94 | 24 | 3/8 | 2.06 | 0.93 | A 17419 |
| B 34594 | ** 1 3/8 X 1 3/8 | 38.00 | 32.87 | 9.52 | 242 | 4.14 | 105 | 1.50 | 38 | 1.91 | 49 | 1.00 | 25 | 1.00 | 25 | 3/8 | 2.87 | 1.30 | A 17419 |
| B 35291 | ** 1 3/8 X 1 3/8 | 38.00 | 32.87 | 9.52 | 242 | 4.14 | 105 | 1.50 | 38 | 1.91 | 49 | 1.00 | 25 | 1.00 | 25 | 1/4 | 2.99 | 1.36 | A 17419 |
| B 34595 | ** 1 5/8 X 1 5/8 | 53.00 | 45.84 | 9.98 | 253 | 4.62 | 117 | 1.75 | 44 | 2.19 | 56 | 1.09 | 28 | 1.09 | 28 | 3/8 | 3.89 | 1.76 | A 17419 |

Torque To Seal

| Part Number | Front Seat | | Back Seat | | Pack Gland | | Plastic Cap | Brass Cap | |
|-------------|------------|---------|-----------|---------|------------|---------|--------------|-----------|---------|
| | (ft-lb) | (N-m): | (ft-lb) | (N-m): | (ft-lb) | (N-m): | | (ft-lb) | (N-m) |
| B 34413 | 16 - 18 | 22 - 24 | 16 - 18 | 22 - 24 | 8 - 12 | 11 - 16 | Finger Tight | | |
| B 34412 | 22 - 40 | 30 - 54 | 25 - 45 | 34 - 61 | 15 - 20 | 20 - 27 | Finger Tight | | |
| B 35224 | 22 - 40 | 30 - 54 | 25 - 45 | 34 - 61 | 15 - 20 | 20 - 27 | Finger Tight | | |
| B 34778 | 22 - 40 | 30 - 54 | 25 - 45 | 34 - 61 | 15 - 20 | 20 - 27 | | 40 - 50 | 54 - 68 |
| B 34594 | 22 - 40 | 30 - 54 | 25 - 45 | 34 - 61 | 15 - 20 | 20 - 27 | | 40 - 50 | 54 - 68 |
| B 35291 | 22 - 40 | 30 - 54 | 25 - 45 | 34 - 61 | 15 - 20 | 20 - 27 | | 40 - 50 | 54 - 68 |
| B 34595 | 22 - 40 | 30 - 54 | 25 - 45 | 34 - 61 | 15 - 20 | 20 - 27 | | 40 - 50 | 54 - 68 |

* Plastic Cap

** Brass Cap

*** Flare Seal Cap and Plastic Seal Cap should be finger tight