

PRODUCT INFORMATION PACKET



Model No: RF6402
Catalog No: RF6402
1/10 HP Refrigeration Motor, 1050 RPM, 115/208-230 Volts, 42 Frame, OAO
Refrigeration Motors



Regal and Century are trademarks of Regal Rexnord Corporation or one of its affiliated companies.
©2021 Regal Rexnord Corporation, All Rights Reserved. MC017097E





Nameplate Specifications

Output HP	1/10 Hp	Output KW	0.07 kW
Frequency	60 Hz	Voltage	115/208-230 V
Current	4.0/2.0 A	Speed	1050 rpm
Service Factor	1	Phase	1
Duty	Air Over	Insulation Class	A
Frame	42Y	Enclosure	Open Air Over
Thermal Protection	Automatic	Ambient Temperature	40 °C
UL	No	CSA	Y
CE	N	Number of Speeds	1

Technical Specifications

Electrical Type	Shaded Pole	Starting Method	Across The Line
Poles	6	Rotation	Clockwise Lead End
Mounting	Extended Studs	Motor Orientation	Any
Drive End Bearing	Sleeve	Opp Drive End Bearing	Sleeve
Frame Material	Na	Shaft Type	Flat
Overall Length	7.17 in	Shaft Diameter	0.375 in
Shaft Extension	2.25 in		
Connection Drawing	7571A67F01	Outline Drawing	RF6402-S01

This is an uncontrolled document once printed or downloaded and is subject to change without notice. Date Created:10/07/2021

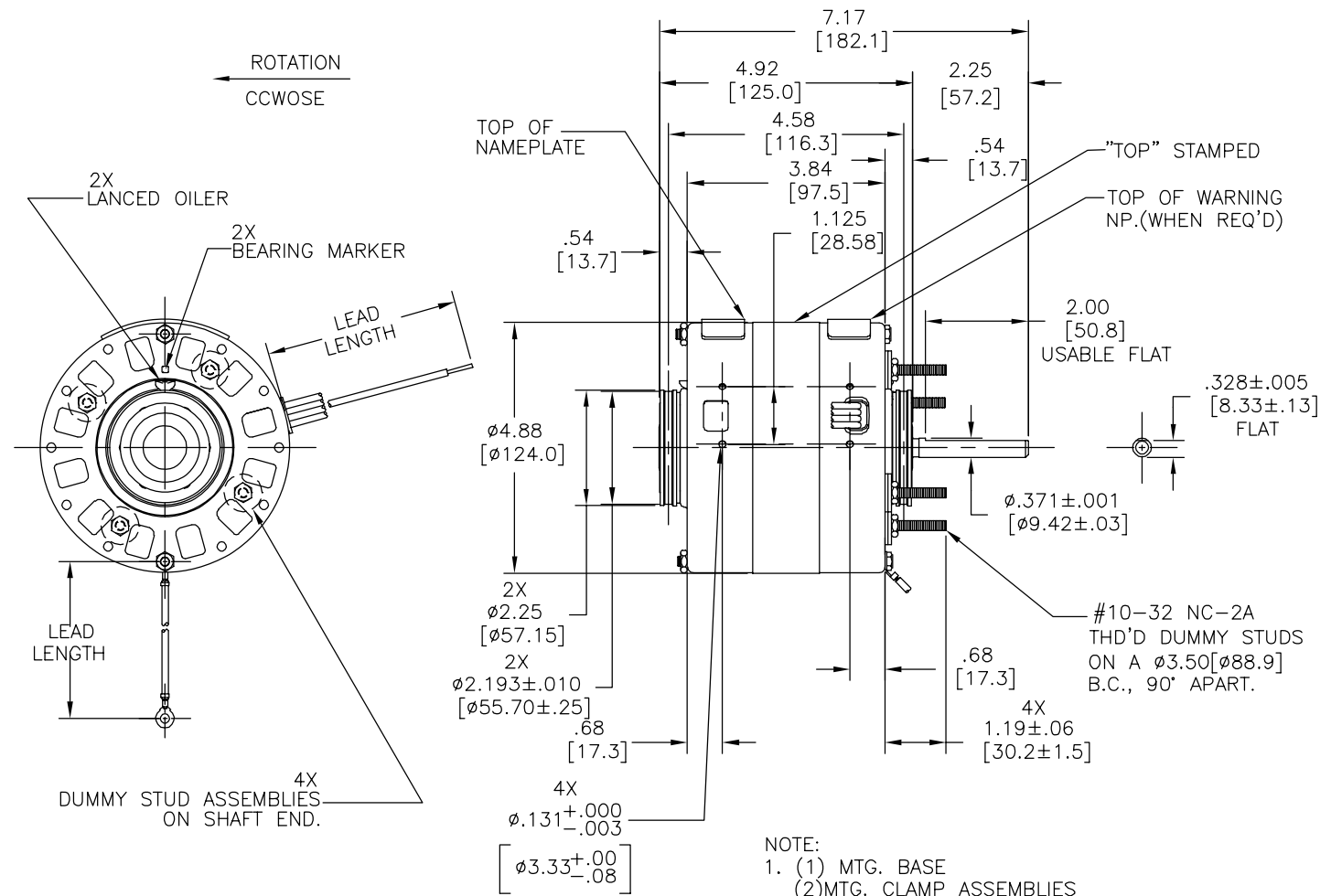
REV	ECO	REV BY	DATE	APPD	DATE
H	0033578	W.CORTEZ	05-23-2013	J. DE LUNA	05-23-2013

GENERAL INFORMATION:

SHAFT RUNOUT: .001[.03] T.I.R. PER INCH LENGTH OF EXTENSION
 END PLAY: .010 TO .063 [.25 TO 1.60]
 BEARINGS: SLEEVE
 MOUNTING POSITION: ALL ANGLE

ELECTRICAL DATA:

OVERLOAD PROTECTOR: AUTOMATIC RESET (SENSATA 7AM 034)
 LINE LEADS: NO. 18 AWG., .06[1.5] THK.,125°C INSUL.
 GROUND LEAD: NO. 18 AWG., .03[.8] THK.,GREEN INSUL.



- NOTE:
 1. (1) MTG. BASE
 (2) MTG. CLAMP ASSEMBLIES
 (3) SHAFT ADAPTER
 (4) MTG. RING ADAPTORS
 (4) HEX NUTS
 TO BE SHIPPED SEPARATELY IN EACH CARTON WITH MOTOR.
 2. DISTRIBUTION: CUST. P/N: RF6402

GREEN(GRD)	11.5/12.5 [292/318]	# 8 EYELET
RED	29/31 [737/787]	.50 [12.7] SKIN
BLUE	29/31 [737/787]	.50 [12.7] SKIN
BLACK	29/31 [737/787]	.50 [12.7] SKIN
PURPLE	29/31 [737/787]	.50 [12.7] SKIN

COLOR	LENGTH	TERMINAL OR STRIP LENGTH
-------	--------	--------------------------

LEAD DATA

MAIN FR. - OLE	ENCLOSED
END FR. - OLE	OPEN
MAIN FR. - LE	ENCLOSED
END FR. - LE	OPEN

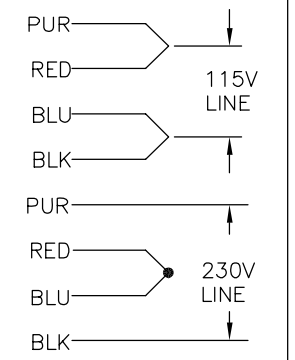
CUSTOMER	DISTRIBUTION SERVICES
----------	-----------------------

SEE NOTE 2

NAMEPLATE DATA:

EXTERNAL CONNECTION DIAGRAM

MODEL : 326P191
 CUST. P/N: []
 HP: 1/10
 ROT.: CWLE
 RPM: 1050
 TYPE: FE
 FRAME: 42Y
 VOLTS: 115/208-230
 PH: 1
 AMPS: 4.0/2.0
 HZ: 60/50
 INS.: A
 AMB: 40°C
 DUTY: AIR OVER
 CODE: -
 CAP.: -
 UL FILE NO.
 CSA LOGO
 THERMALLY PROTECTED
 TYPE C



PERFORMANCE CURVE NO.	TORQUE @ 1550 RPM (25°C)	APPROVED SAMPLE	UL COMPONENT		CSA	
C30339	10.8 OZ-FT.	89AC116A	FILE #	GUIDE #	FILE #	CLASS #
			E46412	PRGY2	LR43341	260-Ø-0

GEOMETRIC CHARACTERISTICS & SYMBOLS
 ▽ FLATNESS
 - STRAIGHTNESS
 ∠ ANGULARITY
 ⊥ PERPENDICULARITY (SQUARENESS)
 // PARALLELISM
 ○ ROUNDNESS (CIRCULARITY)
 ∅ CYLINDRICITY
 △ PROFILE OF ANY SURFACE
 ∩ PROFILE OF ANY LINE
 ∩ RUNOUT
 ⊕ TRUE POSITION
 ⊙ CONCENTRICITY
 = SYMMETRY
 ASME Y14.5M 1994

REGAL-BELOIT CORPORATION (RBC) PROVIDES TECHNICAL ASSISTANCE TO OUR CUSTOMERS IN SEVERAL AREAS. SINCE RBC DOES NOT RECEIVE ALL DATA CONCERNING THE USE AND APPLICATION OF THE MOTOR, THE SUITABILITY OF THE MOTOR FOR THE APPLICATION MUST BE DETERMINED BY THE CUSTOMER.
 DIMENSIONS WITHOUT TOLERANCES ARE FOR REFERENCE ONLY.

DR BY: W.CORTEZ 05-23-2013
 APPD: J. DE LUNA 05-23-2013
 THIRD ANGLE PROJECTION
 EDS DATE 11-11-2011
 FORMAT REV H
 CONFIDENTIAL: THIS DRAWING AND ITS INFORMATION ARE THE EXCLUSIVE AND CONFIDENTIAL PROPERTY OF REGAL-BELOIT CORPORATION AND ARE NOT TO BE DISCLOSED, DUPLICATED, DISTRIBUTED OR OTHERWISE USED WITHOUT THE WRITTEN CONSENT OF REGAL-BELOIT CORPORATION. -ALL RIGHTS RESERVED.

REGAL REGAL-BELOIT CORPORATION

DESCRIPTION: MODEL-RFHP-48FR OUTLINE

SIZE C DWG NO RF6402

SCALE NONE SHEET 1

REVISION:	ECO	REVISADO POR:	FECHA:	APROBADO POR:	FECHA:
H	0033578	W.CORTEZ	05-23-2013	J. DE LUNA	05-23-2013

INFORMACION GENERAL:

OSCILACION DE FLECHA: .001[.03] L.T.I. LONGITUD DE EXTENSION POR PULGADA

JUEGO AXIAL: .010 A .063 [.25 A 1.60]

BALEROS: MANGA

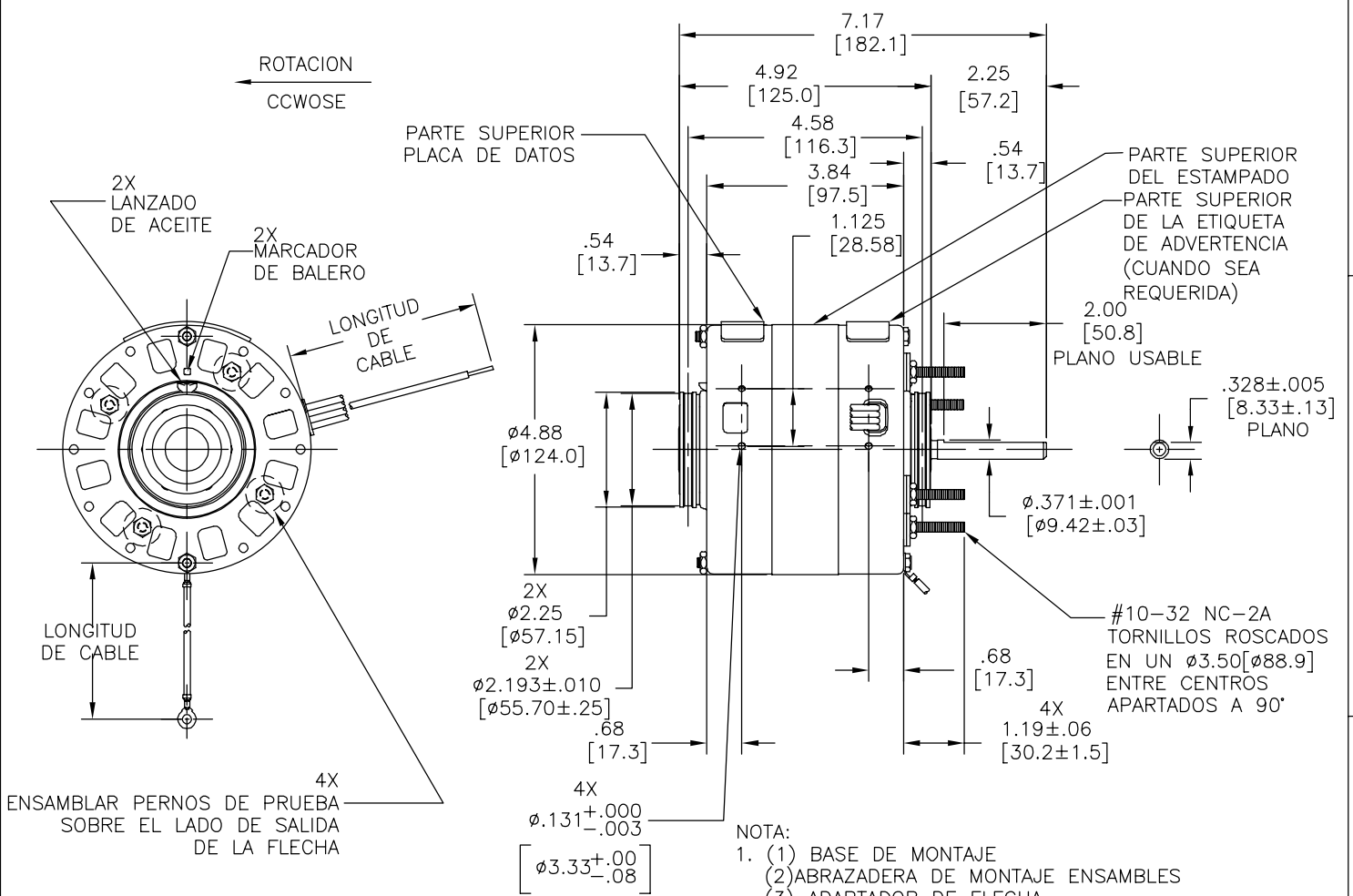
POSICION DE MONTAJE: TODO ANGULO

DATOS ELECTRICOS:

SOBRECARGA DEL PROTECTOR: REINICIO AUTOMATICO (SENSATA 7AM 034)

LINEA DE CABLES: CALIBRE NO. 18, .06[1.5] ESPESOR 125°C AISLANTE

CABLE DE TIERRA: CALIBRE NO. 18, .03[.8] ESPESOR (VERDE) AISLANTE



- NOTA:
- (1) BASE DE MONTAJE
 - (2) ABRAZADERA DE MONTAJE ENSAMBLES
 - (3) ADAPTADOR DE FLECHA
 - (4) ADAPTADOR DE ANILLO DE MONTAJE
 - (4) TUERCAS HEXAGONALES SERAN ENVIADAS POR SEPARADO EN CADA CARTON CON EL MOTOR.
 2. DISTRIBUCION: NUMERO DE PARTE DE CLIENTE RF6402

VERDE (TIERRA)	11.5/12.5 [292/318]	# 8 OJAL
ROJO	29/31 [737/787]	.50 [12.7] DESFORRE
AZUL	29/31 [737/787]	.50 [12.7] DESFORRE
NEGRO	29/31 [737/787]	.50 [12.7] DESFORRE
PURPURA	29/31 [737/787]	.50 [12.7] DESFORRE

COLOR	LONGITUD	TERMINAL O LONGITUD DE DESFORRE
-------	----------	---------------------------------

CARCASA - OLE	CERRADO
TAPA - OLE	ABIERTO
CARCASA - LE	CERRADO
TAPA - LE	ABIERTO

CLIENTE	DISTRIBUTION SERVICES
---------	-----------------------

INFORMACION DE CABLES

REGAL REGAL-BELOIT CORPORATION

REGAL-BELOIT CORPORATION (RBC) PROVEE ASISTENCIA TECNICA A NUESTROS CLIENTES EN VARIAS AREAS. DESDE QUE RBC NO RECIBE TODOS LOS DATOS EN RELACION AL USO Y A LA APLICACION DEL MOTOR, LA APLICACION ADECUADA DEL MOTOR DEBE SER DETERMINADA POR EL CLIENTE.

DIBUJADO POR:	W.CORTEZ	05-23-2013
APROBADO POR:	J. DE LUNA	05-23-2013
TERCER ANGULO DE PROYECCION		FECHA EDS: 11-11-2011
		REV. FORMATO: H

CONFIDENCIAL: ESTE DIBUJO Y SU INFORMACION SON PROPIEDAD DE USO EXCLUSIVO Y CONFIDENCIAL DE REGAL-BELOIT CORPORATION. Y NO DEBERAN SER REVELADOS, DUPLICADOS, DISTRIBUIDOS O USARSE DE OTRA MANERA SIN EL CONSENTIMIENTO ESCRITO DE REGAL-BELOIT CORPORATION. -TODOS LOS DERECHOS RESERVADOS.

DESCRIPCION: MODEL-RFHP-48FR OUTLINE

TAMAÑO: C	NUMERO DE DIBUJO: RF6402
ESCALA: NONE	HOJA: 1

VER NOTA 2

INFORMACION PLACA DE DATOS	DIAGRAMA DE CONEXION EXTERNA
MODEL : 326P191 CUST. P/N: [] HP: 1/10 ROT.: CWLE RPM: 1050 TYPE: FE FRAME: 42Y VOLTS: 115/208-230 PH: 1 AMPS: 4.0/2.0 HZ: 60/50 INS.: A AMB: 40°C DUTY: AIR OVER CODE: - CAP.: - UL FILE NO. CSA LOGO THERMALLY PROTECTED TYPE C	

CURVAS DE FUNCIONAMIENTO	TORSION @1550 RPM (25°C)	MUESTRA APROBADA	COMPONENTE UL	CSA
C30339	10.8 OZ-FT.	89AC116A	#ARCHIVO PRGY2	#CLASE LR43341 260-ø-0

CARACTERISTICAS DE GEOMETRIA Y SIMBOLOS

- ✓ PLANICIDAD
- RECTITUD
- ∠ ANGULARIDAD
- ⊥ PERPENDICULARIDAD (A ESCUADRA)
- // PARALELISMO
- REDONDEZ (CIRCULARIDAD)
- ∅ CILINDRICIDAD
- △ PERFIL DE CUALQUIER SUPERFICIE
- ∩ PERFIL DE CUALQUIER LINEA
- ∕ VARIACION
- ⊕ POSICION REAL
- ⊙ CONCENTRICIDAD
- = SIMETRIA

ASME Y14.5M 1994

DIMENSIONES SIN TOLERANCIA SON DE REFERENCIA SOLAMENTE