



RELAX. IT'S RHEEM.®

[-]OBD

PARTS LIST

Upflow Oil Furnace

SIZES: 067 - 112 - 150

SERIES: D

Publication Date: October, 2002

Form No: 92-19301-55R-01



TABLE OF CONTENTS

| | |
|--|--------|
| Notes | Page 2 |
| Model Number Explanation | Page 3 |
| Serial Number Explanation | Page 3 |
| Exploded View (Panels & Heat Exchanger) | Page 4 |
| Exploded View (Blower & Oil Burner Group) | Page 5 |
| Panels, Miscellaneous, Electric & Heat Exchanger | Page 6 |
| Blower Group & Oil Burner | Page 7 |

ORDERING, STOCKING AND NOTE EXPLANATIONS

Ordering Instructions:

When ordering a replacement part, be sure to read all notes and symbol notations on the parts list. In some cases, it is necessary to determine the unit style number and/or serial number in addition to the model number before selecting a replacement part.

When ordering painted cabinet parts, the order **must specify** unit model number, serial number, and paint color. Also, your order can be processed more rapidly if you show the part number and description. Once the product is out of current production, price and availability will vary.

Replacement Parts Stocking Information:

As a general rule, most parts are in stock or have a short order period as long as the product is in current production. Once the product is out of current production price and availability will vary.

Note Explanation:

| | |
|------------|---|
| <i>np</i> | This part is not shown in exploded view. [no picture] |
| <i>dna</i> | Does not apply |

MODEL NUMBER EXPLANATION

| | | | | | | | | | | | |
|--------------|----------|----------|----------|----------|----------|----------|----------|----------|----------|----------|----------|
| [-] | O | B | D | - | 0 | 6 | 7 | Q | B | A | A |
| 1 | 2 | 3 | 4 | | 5 | 6 | 7 | 8 | 9 | | |

Position

| | | | |
|----------|--|----------|---|
| 1 | MODEL DESIGNATION | 7 | VARIATIONS B = 1st Variation |
| 2 | O = Oil Furnace | 8 | HEATING & COOLING DESIGNATION E = 1100-1330 CFM G = 1450-1750 CFM J = 1800-2075 CFM |
| 3 | B = Upflow | | |
| 4 | DESIGN SERIES | | |
| 5 | HEATING CAPACITY Output BTU/HR 067 = 67,000 112 = 112,000 150 = 150,000 | 9 | FUEL PUMP (Domestic) A = Single Stage FUEL PUMP (Canadian) C = Single Stage |
| 6 | BLOWER DESIGNATION Q = 10 X 10 R = 11 X 10 | | |

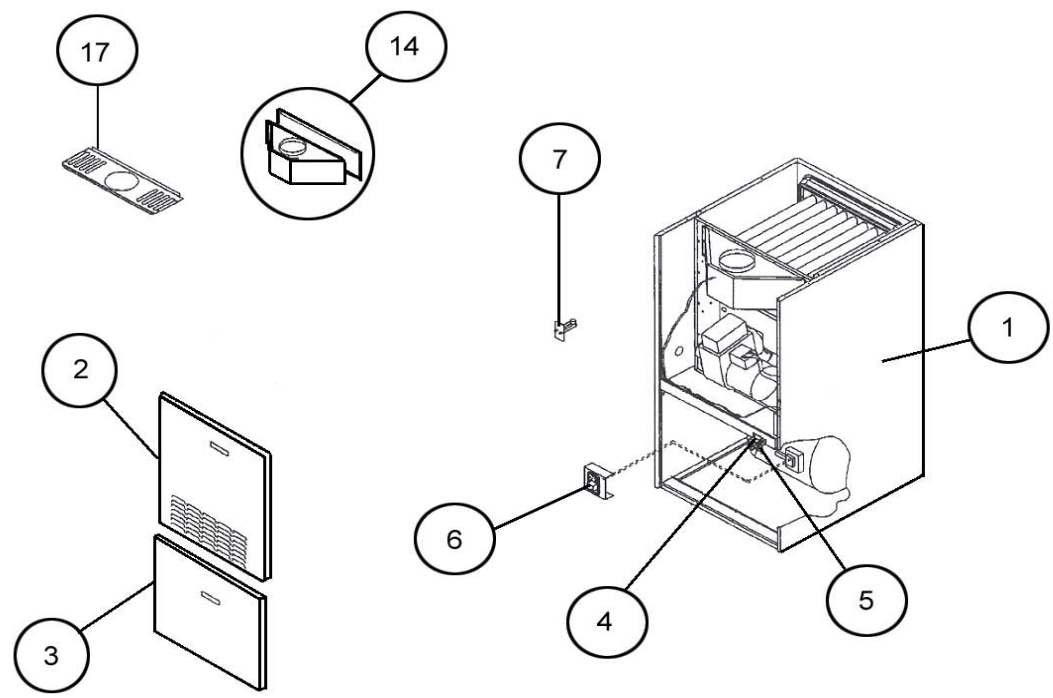
SERIAL NUMBER EXPLANATION

| | | | | | | | | | | | | | |
|----------|----------|----------|----------|----------|----------|----------|----------|----------|----------|----------|----------|----------|----------|
| C | P | 1 | 7 | 4 | M | 4 | 4 | 9 | 8 | 9 | 9 | 9 | 9 |
| 1 | 2 | 3 | 4 | 5 | 6 | 7 | 8 | 9 | | | | | |

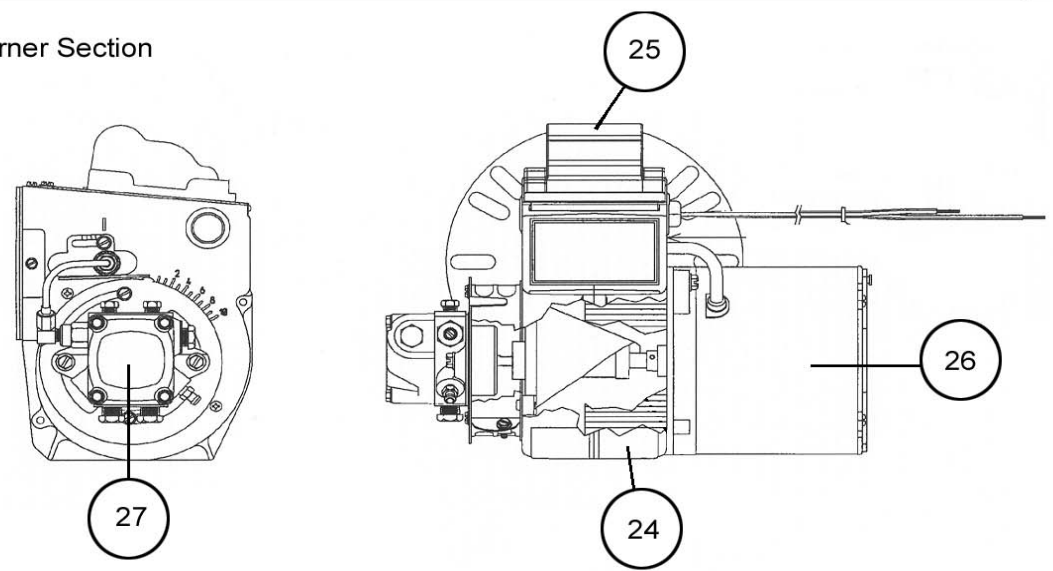
Position

| | | | |
|----------|---|----------|---|
| 1 | TYPE OF OIL BURNER C = Single Stage Beckett AFG | 5 | MOTOR HORSEPOWER 2 - 1/2 HP Motor 4 - 1/4 HP Motor 7 - 3/4 HP Motor |
| 2 | PRIMARY CONTROL D = Honeywell R8184M1002 | 6 | PLANT M = Milledgeville |
| 3 | FAN LIMIT CONTROL 1 - TOD 60T12-313160 | 7 | WEEK |
| 4 | HEATING ELEMENT 7 - Stainless Steel | 8 | YEAR |
| | | 9 | PRODUCTION NUMBER Starts with 00001 and runs through 99999, then rolls back to 00001 |

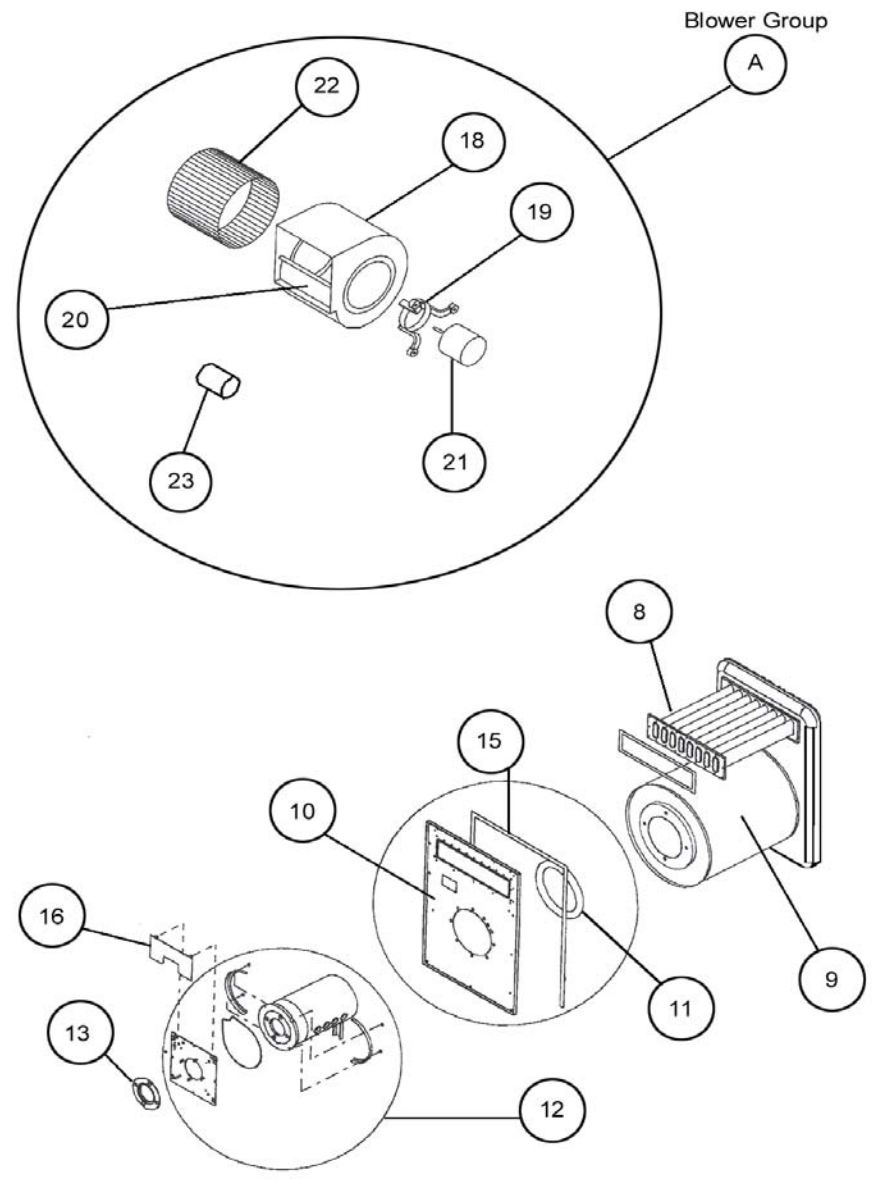
EXPLODED VIEW



Oil Burner Section



EXPLODED VIEW



| NO. | MODEL HEATING CAPACITY | [-]JOB 067 | [-]JOB 112 | [-]JOB 150 |
|-----------------------------|-------------------------------|---------------|---------------|---------------|
| PANELS - SMALL PARTS | | | | |
| 1 | JACKET ASSEMBLY | AS-46489-10 | AS-46489-11 | AS-46489-12 |
| 2 | FRONT DOOR | AS-63674-01 | AS-63675-01 | AS-63662-01 |
| 3 | BLOWER DOOR | AS-63657-01 | AS-63658-01 | AS-63659-01 |
| 4 | DOOR SWITCH | 42-21268-04 | 42-21268-04 | 42-21268-04 |
| 5 | DOOR SWITCH BRACKET | AE-58870-01 | AE-58870-01 | AE-58870-01 |
| np | SOLID BOTTOM | AE-61874-07 | AE-61874-06 | AE-61874-05 |
| np | JUNCTION BOX | AE-30547-04 | AE-30547-04 | AE-30547-04 |
| np | PLASTIC CLIP 3/8" | 64-19196-01 | 64-19196-01 | 64-19196-01 |
| np | TINNERMAN CLIP | 64-20422-01 | 64-20422-01 | 64-20422-01 |
| np | DRAFT CONTROL | 58-17352-01 | 58-17352-01 | 58-17352-01 |
| np | AIR DEFLECTOR | AE-46520-01 | AE-46520-03 | AE-46520-02 |
| MISCELLANEOUS | | | | |
| np | FILTER PERMANENT (16x25x1) | 54-19655-06 | 54-19655-06 | 54-19655-06 |
| np | FILTER FRAME | AE-64277-00 | AE-64277-00 | AE-64277-00 |
| ELECTRIC GROUP | | | | |
| 7 | LIMIT CONTROL | 47-21711-19 | 47-21711-19 | 47-21711-19 |
| 8 | FAN TIMER CONTROL | 47-22896-01 | 47-22896-01 | 47-22896-01 |
| np | CONTROL RELAY | 42-21571-01 | 42-21571-01 | 42-21571-01 |
| np | SAFETY RELAY | 42-21571-01 | 42-21571-01 | 42-21571-01 |
| HEAT EXCHANGER GROUP | | | | |
| 9 | HEAT EXCHANGER | AS-46557-01 | AS-46557-04 | AS-46557-05 |
| 10 | SECONDARY HEAT EXCHANGER | AS-46522-05 | AS-46522-04 | AS-46522-03 |
| 11 | CENTER PANEL ASSEMBLY | AS-46530-06 | AS-46530-07 | AS-46530-08 |
| 12 | GASKET - DRUM FACE | 68-22950-01 | 68-22950-02 | 68-22950-03 |
| 13 | COMBUSTION CHAMBER ASSY | AS-46531-06 | AS-46531-07 | AS-46531-08 |
| 14 | GASKET - BURNER MOUNTING | 68-19083-01 | 68-19083-01 | 68-19083-01 |
| 15 | COLLECTOR BOX ASSY w/GASKET | | | |
| | U.S. Models | AS-46501-04 | AS-46501-05 | AS-46501-03 |
| | Canadian - (w/Clean Out Door) | AS-46546-04 | AS-46546-05 | AS-46546-03 |
| 16 | CENTER PANEL GASKET TAPE | 68-21812-04 | 68-21812-04 | 68-21812-04 |
| 17 | BURNER HEAT SHIELD | AE-46534-01 | AE-46534-02 | AE-46534-03 |
| 18 | TOP PLATE | AE-46496-04 | AE-46496-05 | AE-46496-03 |
| np | CHAMBER MOUNTING RINGS | 63-23551-01 | 63-23551-02 | 63-23551-03 |
| np | HEAT EXCHANGER SUPPORT LEG | AE-63629-03 | AE-63629-01 | AE-63629-04 |
| np | MICA SIGHT GLASS | 68-40772-04 | 68-40772-04 | 68-40772-04 |

| NO. | MODEL HEATING CAPACITY | [-]JOB 067 | [-]JOB 112 | [-]JOB 150 |
|---|--|-------------------------------|--------------------------------|--------------------------------|
| BLOWER ASSEMBLY | | | | |
| A | BLOWER ASSEMBLY (consists of the identified items) | AS-61254-23 | AS-61254-21 | AS-61254-24 |
| 18 | BLOWER HOUSING | AS-61253-01 | AS-61213-01 | AS-61369-01 |
| 19 | MOTOR BRKT ASY-TRIANGLE | AS-53148-03 | AS-53148-02 | AS-53148-01 |
| 20 | CUT OFF | AE-64401-07 | AE-64401-05 | AE-64401-18 |
| 21 | MOTOR | 51-26158-01 | 51-18828-01 | 51-21459-02 |
| 22 | BLOWER WHEEL | 70-20218-02 | 70-20218-03 | 70-20602-01 |
| 23 | CAPACITOR | 43-20847-10 | 43-20847-10 | 43-20847-38 |
| OIL BURNER - Domestic & Canadian | | | | |
| 24 | OIL BURNER | 59-24171-01 | 59-24171-02 | 59-24171-03 |
| 25 | IGNITOR | 62-25061-02 | 62-25061-02 | 62-25061-02 |
| 26 | MOTOR | 51-25061-01 | 51-25061-01 | 51-25061-01 |
| 27 | PUMP: | 59-17936-30 | 59-17936-30 | 59-17936-30 |
| np | OPTIONAL 2 STAGE PUMP | 59-17047-04 | 59-17047-04 | 59-17047-04 |
| np | NOZZLE | 59-22709-08 (70°, 0.5 GPH) | 59-22709-03 (70°, 0.75 GPH) | 59-22709-06 (70°, 1.20 GPH) |
| np | NOZZLE | 59-22709-09 (70°, 0.6 GPH) | 59-22709-04 (70°, 0.85 GPH) | 59-22709-07 (70°, 1.35 GPH) |
| np | NOZZLE | dna | 59-22709-05 (70°, 1.00 GPH) | dna |
| np | PRIMARY CONTROL | 62-24173-01 | 62-24173-01 | 62-24173-01 |
| np | GASKET | 68-19083-01 | 68-19083-01 | 68-19083-01 |
| np | END CONE | 59-21810-16 | 59-19206-26 | 59-21810-17 |

OIL CONVERSION CHART

| Oil Unit Model | Flow | Size/BTU per HR | Nozzle P/N | Type | GPH |
|----------------|-----------------|-----------------|-------------|-----------------|------|
| [_]OBD-056 | Upflow | 56,000 | 59-22709-08 | Delevan 70 deg. | .50 |
| [_]OBD-067 | Upflow | 67,000 | 59-22709-09 | Delevan 70 deg. | .60 |
| [_]OBD-084 | Upflow | 84,000 | 59-22709-03 | Delevan 70 deg. | .75 |
| [_]OBD-095 | Upflow | 95,000 | 59-22709-04 | Delevan 70 deg. | .85 |
| [_]OBD-112 | Upflow | 112,000 | 59-22709-05 | Delevan 70 deg. | 1.00 |
| [_]OBD-130 | Upflow | 130,000 | 59-22709-06 | Delevan 70 deg. | 1.20 |
| [_]OBD-150 | Upflow | 150,000 | 59-22709-07 | Delevan 70 deg. | 1.35 |
| | | | | | |
| [_]OPD-084 | Down/Horizontal | 84,000 | 59-22709-03 | Delevan 70 deg. | .75 |
| [_]OPD-095 | Down/Horizontal | 95,000 | 59-22709-04 | Delevan 70 deg. | .85 |
| [_]OPD-112 | Down/Horizontal | 112,000 | 59-22709-05 | Delevan 70 deg. | 1.00 |
| [_]OPD-130 | Down/Horizontal | 130,000 | 59-22709-06 | Delevan 70 deg. | 1.20 |

Printed in U.S.A.

**Air Conditioning Division
P.O. Box 17010
Fort Smith, AR 72917-7010**

**October, 2002
92-19301-55R-01**