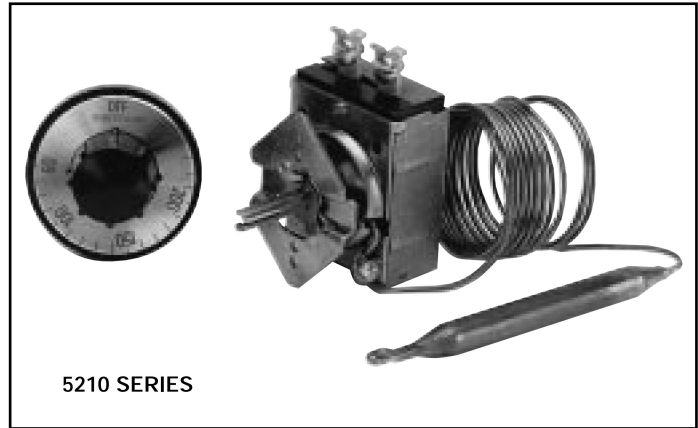


COMMERCIAL ELECTRIC THERMOSTATS

5210 (B-10) COMMERCIAL DIRECT ACTING

The 5210 Series are SPST direct acting thermostats with a special switch design which makes them very sensitive to small temperature changes. Differential will vary with the control application but will be extremely close when the bulb is immersed in a liquid. When the bulb is located in air, the differential will depend upon the rate of heating and cooling. The slower the rate the closer the differential. U.L. file number E12103. MAXIMUM AMBIENT TEMPERATURE 150°F

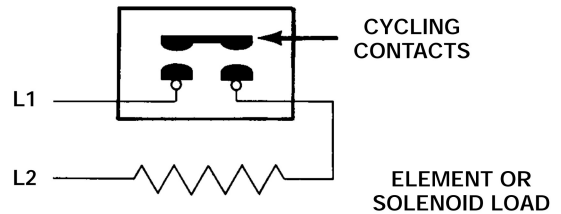


5210 SERIES

ELECTRICAL RATING

20 amp at 120 VAC resistive load
15 amp at 240 VAC resistive load

WIRING - CONTACT ACTION
CONTROL "OFF" - CONTACTS OPEN



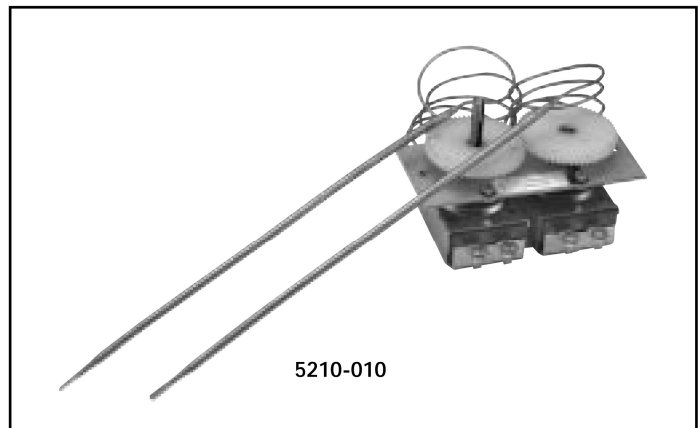
5210 SERIES - DIRECT ACTING

ORDERING DATA

UNI-LINE ORDER NO.	DIAL TEMP. RANGE	CAPILLARY LENGTH	BULB O.D. LENGTH & FINISH	DIAL TYPE INCLUDED	FACTORY NO.	COMMENTS
5210-020	0-140°F	60"	3/16" X 15-3/8"	KNOB & PLATE	Z66272	1-10 PLATE
5210-125	60-200°F	42"	3/16" X 15-3/8" NICKEL	*	Z87147	ALTO SHAM TT-3057
5210-124	60-210°F	36"		*	Z90644	
5210-152	60-250°F	60"	3/8" X 4-1/2"	4-WAY	Z80885	
5210-241	100-200°F	36"	3/8" X 5-3/4"	KNOB & PLATE	Z11654	
5210-248	100-450°F	24"	3/16" X 11-1/2" NICKEL	4-WAY	Z91269	DIP SEALED
5210-312		36"	3/8" X 3-7/8" NICKEL	KNOB & PLATE	Z14131	1-10 PLATE
5210-362	150-550°F	60"	3/16" X 10-7/8" NICKEL		Z50090	1-10 PLATE
5210-363		72"		4-WAY	Z82847	1-10 DIAL
5210-401	150-550°F	48"	3/16" X 11-5/8" NICKEL	KNOB & PLATE	Z11861	
5210-471	275-470°F	30"	1/4" X 12" NICKEL	1-10 DIAL	Z65910	NICKEL STUFFING BOX ATTACHED

* Consider 40-463 dial 60° - 250° if needed.

5210-010



5210-010

UNI-LINE ORDER NO.	DIAL TEMP. RANGE	CAPILLARY LENGTH	BULB O.D. LENGTH & FINISH	DIAL TYPE INCLUDED	FACTORY NO.	COMMENTS
5210-010	70-580°F	30"	3/16" X 9-7/16" NICKEL		Z85932 Z85933	DUAL BIO CONTROLS ON ONE BRACKET WITH A COMMON DIAL, PRECISION SCIENTIFIC P/N 239097, Z86120-30