

## Replacement Parts

January, 2013

### IMPORTANT

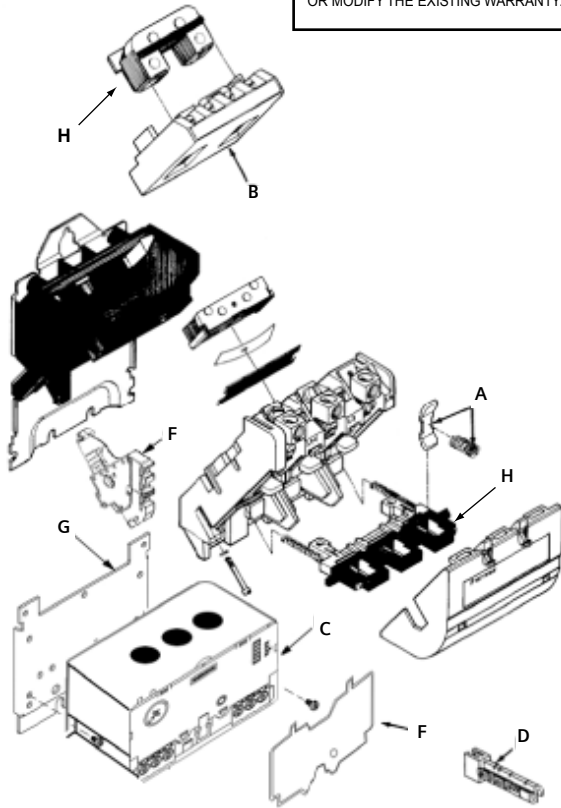
THESE INSTRUCTIONS DO NOT PURPORT TO COVER ALL DETAILS OR VARIATIONS IN EQUIPMENT, NOR TO PROVIDE FOR EVERY POSSIBLE CONTINGENCY TO BE MET IN CONNECTION WITH INSTALLATION, OPERATION OR MAINTENANCE. SHOULD FURTHER INFORMATION BE DESIRED OR SHOULD PARTICULAR PROBLEMS ARISE WHICH ARE NOT COVERED SUFFICIENTLY FOR THE PURCHASER'S PURPOSES, THE MATTER SHOULD BE REFERRED TO THE LOCAL SIEMENS SALES OFFICE.

THE CONTENTS OF THIS INSTRUCTION MANUAL SHALL NOT BECOME PART OF OR MODIFY ANY PRIOR OR EXISTING AGREEMENT, COMMITMENT OR RELATIONSHIP. THE SALES CONTRACT CONTAINS THE ENTIRE OBLIGATION OF SIEMENS. THE WARRANTY CONTAINED IN THE CONTRACT BETWEEN THE PARTIES IS THE SOLE WARRANTY OF SIEMENS. ANY STATEMENTS CONTAINED HEREIN DO NOT CREATE NEW WARRANTIES OR MODIFY THE EXISTING WARRANTY.

E87010-A0003-T010-A1-14XU

ESP200

Class 14 Starters & Contactors  
 Sizes 00, 0, 1 & 1¼  
 14BU, 14CU, 14DU, 14EU



## WARNING

Hazardous voltage.  
 Can cause death or serious injury  
 Disconnect main power and control voltages before installation or maintenance on this equipment.

Item	Part Description	Part Number	
A	Contacts & Spring, One Complete Pole Power Pole	Size 00 75BF14	
		Size 0 75CF14	
		Size 1 75DF14	
		Size 1¼ 75EF14	
Interlock Pole (Includes spring retainer)	All sizes	75AF14	
B	Coil		
	60 Hertz	50 Hertz	
	120v	110v	75D73070F
	110-120v/220-240v	110v/190-220v	75D73070A
	220-240v/440-480v	190-220/380-440v	75D73070C
575-600v	550v	75D73070E	

For other voltages specify the number stamped on the coil.

Item	Part Description	Catalog Number	Terminals/Windows	Single/3-Phase	
Solid State Overload Relay					
C	Size	Amps	Catalog Number	Terminals/Windows	Single/3-Phase
	00, 0	.025-1	3UB88134AB2	Terminals	1
	00, 0	.025-1	3UB81134AB2	Terminals	3
	0, 1	.75-3.4	3UB88134BB2	Terminals	1
	0, 1	.75-3.4	3UB81134BB2	Terminals	3
	0, 1	3-12	3UB88234CW2	Windows	1
	0, 1	3-12	3UB81234CW2	Windows	3
	0, 1	5.5-22	3UB88234DW2	Windows	1
	0, 1	5.5-22	3UB81234DW2	Windows	3
	1, 1¼	10-40	3UB81234EW2	Windows	3

Item	Part Description	Catalog Number
D	Reset Extender (for all overload relays)	49ASRE
E	Auxiliary Contact	NO 49AB10
		NC 49AB01
F	Tamper Resistant Cover	49ASTC1
G	Mounting Plate with (2) Mounting Screws	49ASMP1
H	Armature and Magnet Kits: Size 00 - 1¼	49AMSA2

NOTE: When ordering replacement parts, give catalog number of control, and part name and number.