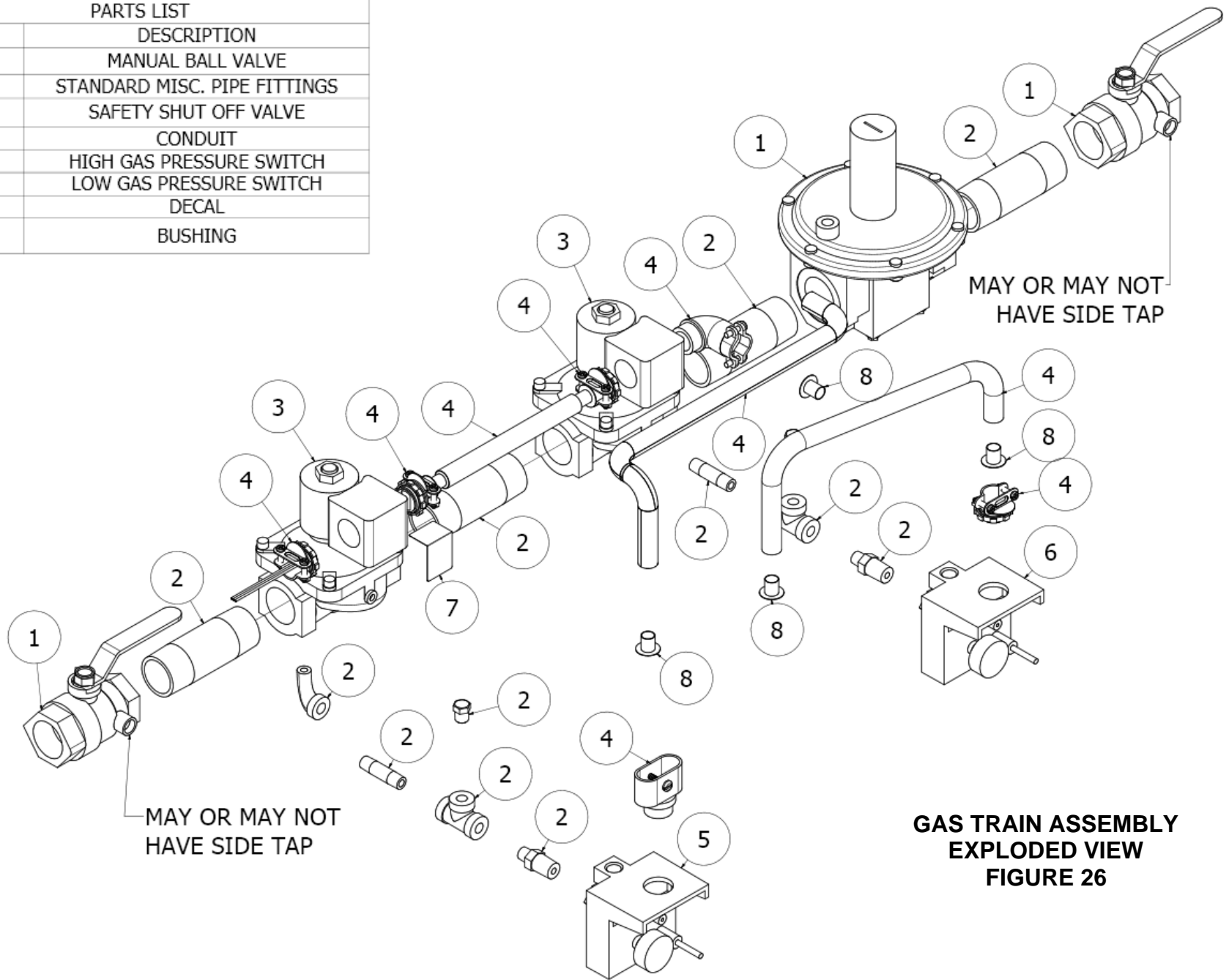


PARTS LIST	
ITEM	DESCRIPTION
1	MANUAL BALL VALVE
2	STANDARD MISC. PIPE FITTINGS
3	SAFETY SHUT OFF VALVE
4	CONDUIT
5	HIGH GAS PRESSURE SWITCH
6	LOW GAS PRESSURE SWITCH
7	DECAL
8	BUSHING



**GAS TRAIN ASSEMBLY
EXPLODED VIEW
FIGURE 26**