

# WGO Series 3 Section Assembly

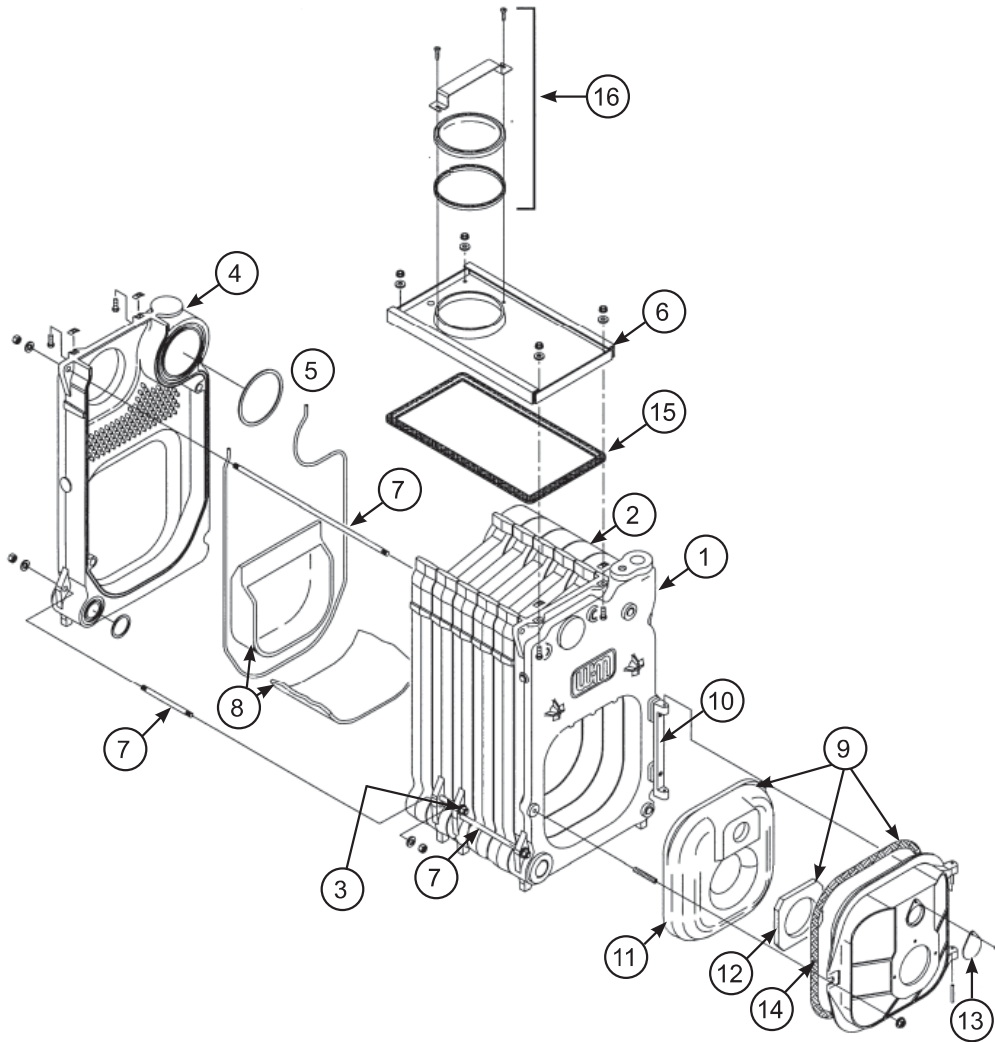


Fig. No.	Part No.	Description	Boiler Size								
			2	3	4	5	6	7	8	9	
1	316-700-270	Front Section, with Envelope, Fits Series 1,2 & 3, #7012	1	1	1	1	1	1	1	1	
2	316-700-065	Intermediate Section, Narrow, #7015	1		2	3	4	3	4	5	
	316-700-075	Intermediate Section, Wide, #7010		1							
3	316-700-070	Intermediate Section, With Draw Rod Lugs, #7016						2	2	2	
4	316-700-226	Section Back With 2½" Supply & 1½" Return, #7027	1	1	1	1	1	1	1	1	
5	386-700-851	Intermediate Section Replacement Kit (Includes: Seals, Rope and Adhesive For Two Joints) Series 1, 2, 3	-	-	1	2	3	4	5	6	
	386-700-852	Front or Rear Section Replacement Kit (Includes: Seals, Rope, Adhesive and Collector Hood Fasteners) Series 3 Only	1	1	1	1	1	1	1	1	
		Rear Section Replacement Kit (Includes: Seals, Rope, Adhesive and Collector Hood Fasteners) Series 1 & 2 Only	1	1	1	1	1	1	1	1	
	386-700-855	Front Section Replacement Kit (Includes: Seals, Rope, Adhesive and Collector Hood Fasteners) Series 1 & 2 Only	1	1	1	1	1	1	1	1	

## WGO Series 3 Section Assembly

			Boiler Size							
			2	3	4	5	6	7	8	9
N/S	386-700-650	Replacement Section Assembly Complete With Jacket For Series 1,2, and 3.	1							
	386-700-651			1						
	386-700-652				1					
	386-700-653					1				
	386-700-654	Replacement Section Assembly With Jacket					1			
	386-700-655							1		
	386-700-656								1	
	386-700-657									1
6	386-700-336	Collector Hood Kit	1							
	386-700-337			1	1					
	386-700-338					1				
	386-700-339						1			
	450-020-188							1		
	450-020-189								1	
	450-020-190									1
N/S	386-700-850	Collector Hood Hardware Kit-(Includes: (4) ¼" X 1¼" Bolts, (4) Nuts, (4) Washers, and (4) Tinnerman Nuts )	1	1	1	1	1	1	1	1
7	560-234-464	Tie Rod ½" x 5½"						2	2	2
	560-234-491	Tie Rod ½" x 12¼"	4					2		
	560-234-492	Tie Rod ½" x 12"						2	2	
	560-234-470	Tie Rod ½" x 14"		4	4				2	2
	560-234-495	Tie Rod ½" x 15"								2
	560-234-472	Tie Rod ½" x 17"				4				
	560-234-534	Tie Rod ½" x 20"					4			
	560-234-538	Tie Rod ½" x 23¼"						2		
	560-234-542	Tie Rod ½" x 26⅜"							2	
	560-234-497	Tie Rod ½" x 29½"								2
N/S	561-928-221	Nut, Regular HEX, ½" (2 Required Per Rod)	8	8	8	8	8	16	16	16
	562-248-668	Washer, Medium Split Plain Lock, ½" (1 Required Per Rod)	4	4	4	4	4	8	8	8
8	386-700-355	Combustion Chamber Kit (Includes: Rear & Front Refractory, Blanket & Water Glass)	1	1	1	1	1	1	1	1
9	386-700-358	Burner Mounting Door Assembly (Includes: Door, Observation Port, Rope, Insulation & Pins)	1	1	1	1	1	1	1	1
10	381-355-797	Door Hinge Kit, Cast #7054, (Includes 1 Hinge, and Roll Pin)	2	2	2	2	2	2	2	2
11	386-700-359	Door Refractory	1	1	1	1	1	1	1	1
12	591-222-115	Door Refractory Blanket	1	1	1	1	1	1	1	1
13	460-039-867	Observation Port Shutter	1	1	1	1	1	1	1	1
14	590-735-104	Door Seal, ⅜" Rope, 55"	1	1	1	1	1	1	1	1
15	590-735-109	Glass Rope, ⅜" For Collector Hood, 7'	1	1	1	1	1	1	1	1
16	386-700-344	Flue Cap Kit	1	1	1	1	1	1	1	1
N/S	591-706-214	Flue Brush	1	1	1	1	1	1	1	1
	592-800-007	6" Top Seal								
	592-800-010	3" Bottom Seal								

