



Features & Options

The Current Output Module (COM) converts the temperature or humidity data from the Wireless Receiver into a linear 4-20 mA signal for the DDC controller.

The COM is loop powered and receives data from a BAPI 418 or 900 MHz Receiver through a four-wire bus. Up to 127 different Output Modules can be connected to a single receiver to send multiple network variables to the controller. The COM is easily trained to a single transmitter variable with a pushbutton and LED. The COM is surface, 2.75" snaptrack or 35mm din rail mountable.

°F PART NUMBERS:

BA/COM-C-EZ:	4-20 mA Output, 50-90°F Temp. Range
BA/COM-D-EZ:	4-20 mA Output, 55-85°F Temp. Range
BA/COM-E-EZ:	4-20 mA Output, 60-80°F Temp. Range
BA/COM-F-EZ:	4-20 mA Output, 65-80°F Temp. Range
BA/COM-G-EZ:	4-20 mA Output, 45-96°F Temp. Range
BA/COM-H-EZ:	4-20 mA Output, -20 to 120°F Temp. Range
BA/COM-KK-EZ:	4-20 mA Output, 32 to 185°F Temp. Range
BA/COM-MM-EZ:	4-20 mA Output, -40 to 140°F Temp. Range

°C PART NUMBERS:

BA/COM-C-C-EZ:	4-20 mA Output, 10 to 32°C Temp. Range
BA/COM-D-C-EZ:	4-20 mA Output, 13 to 30°C Temp. Range
BA/COM-E-C-EZ:	4-20 mA Output, 15 to 27°C Temp. Range
BA/COM-F-C-EZ:	4-20 mA Output, 18 to 27°C Temp. Range
BA/COM-G-C-EZ:	4-20 mA Output, 7 to 35°C Temp. Range
BA/COM-H-C-EZ:	4-20 mA Output, -29 to 49°C Temp. Range
BA/COM-KK-C-EZ:	4-20 mA Output, 0 to 85°C Temp. Range
BA/COM-MM-C-EZ:	4-20 mA Output, -40 to 60°C Temp. Range

%RH PART NUMBERS:

BA/COM-M-EZ:	4-20 mA Output, 0-100% RH
BA/COM-N-EZ:	4-20 mA Output, 35-70% RH

FULL SCALE PART NUMBERS:

BA/COM-AO-EZ:	4-20 mA Output Full Scale
----------------------	---------------------------

ACCESSORY TERMINALS:

BA/AOM-CONN:	Pluggable Terminal Block Kit for AOMs
---------------------	---------------------------------------

See end of Section F for list pricing.

Specifications

Output Current Range: 4-20 mA (factory calibrated)

Power Consumption: (half wave)

Loop Powered, 20 mA max
Loop Voltage Range 9-36 VDC,

Lost Comm. Timeout: 15 min. (Fast Flash)

Temp. & Full Scale revert to 4 mA, %RH reverts to 20 mA

Bus Cable Distance:

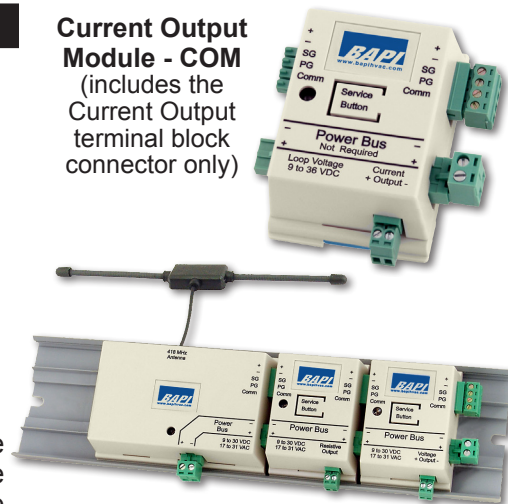
4,000 ft with shielded, twisted pair cable
(Belden 9841, Belden 8132 or equivalent)

Output Resolution: 12 bit, 4096 counts

Environmental Operation Range:

Temp: 32°F to 140°F (0°C to 60°C)
Humidity: 5% to 95% RH non-condensing

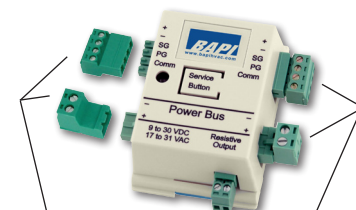
Current Output Module - COM
(includes the Current Output terminal block connector only)



418 MHz Receiver with two Analog Output Modules

Associated Products

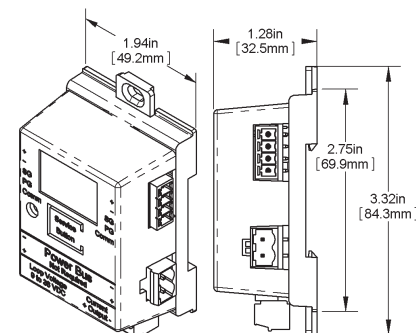
AOMs plug into each other and the receiver as shown above. However, the AOMs may also be mounted remotely using the optional Pluggable Terminal Block Connectors which are available as a 4-connector kit.



Optional Pluggable Terminal Block Kit for AOMs (4 Connectors)

Material: ABS Plastic

Material Rating: UL94, V-0



Current Output Module

