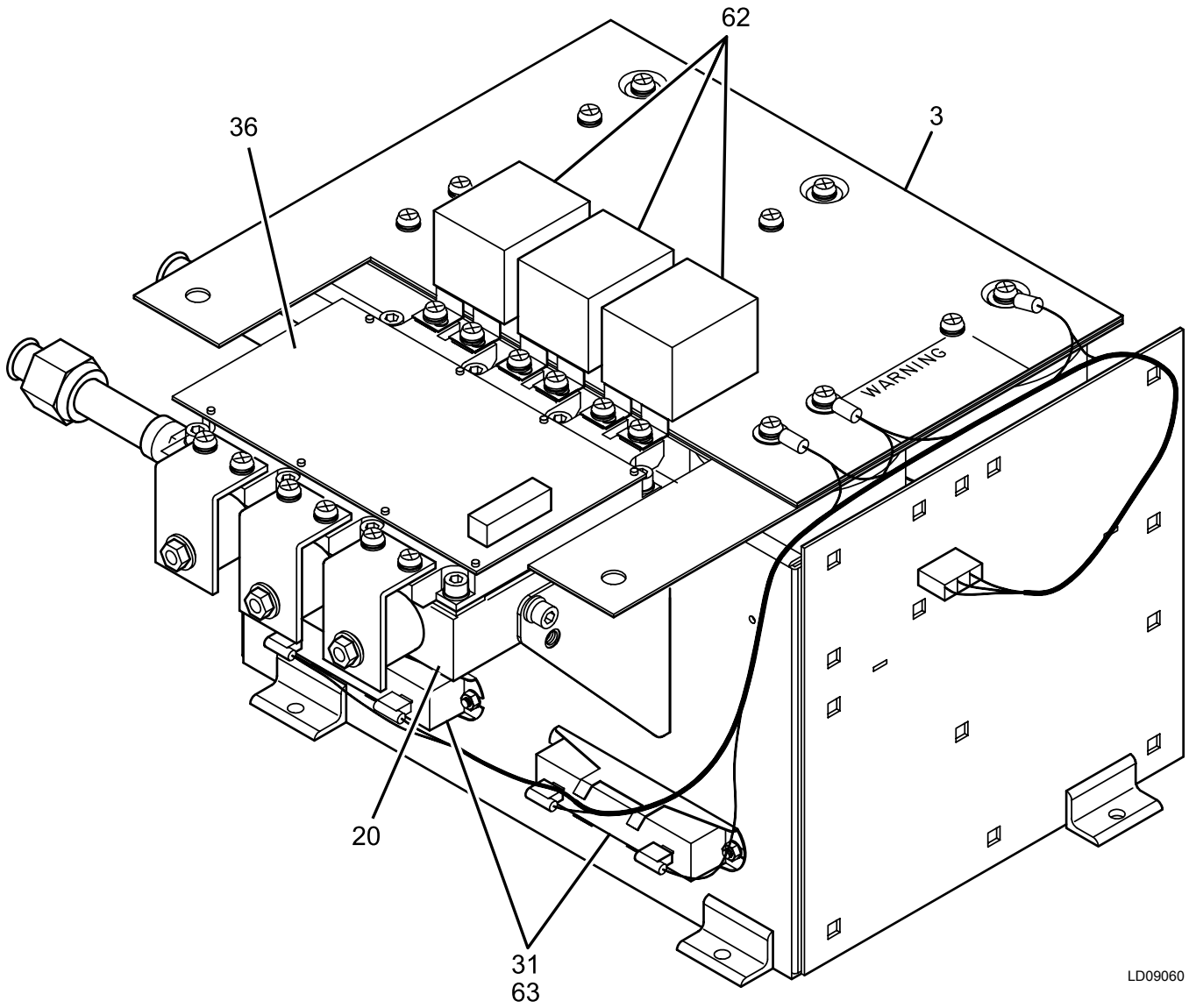


**TABLE 3 - VSD PARTS LIST 419 HP AND 503 HP (CONT'D)**

<b>OPTIONAL HARMONIC FILTER PARTS LIST 419 HP AND 503 HP</b>			
<b>ITEM</b>	<b>DESCRIPTION</b>	<b>PART NUMBER</b>	<b>FIGURE</b>
2	Bus Isolator Board	031-01624-000	11
3	Bus Plate Kit	371-03710-001	13
62	Bus Snubber Capacitor	025-35972-000	13
*	DCCT Cable (cable between the filter logic board and the DCCT 1)	571-03788-271	10
*	DCCT Cable (cable between the filter logic board and the DCCT 2)	571-03788-272	10
30	Direct Current Current Transducer, 300 AMP (DCCT)	025-30994-000	10
31	Filter DC Balancing Resistor	025-35955-000	13
32	Filter Inductor	025-38135-000	10
34	Filter Input Fuse	025-30992-000	10
35	Filter Logic Board (if board P/N is 031-01632-042, order this kit) <sup>5,7</sup> (USE ON PART # 371-03789-XXX ONLY)	331-02932-642	5
35	Filter Logic Board (if board P/N is 031-02932-042, order this kit) <sup>5,7</sup> (USE ON PART # 371-02767-XXX, & 371-03700-XXX ONLY)	031-02932-042	5
33	Filter Main Contactor with compression lugs <sup>2</sup>	024-34028-000	9
33	Filter Main Contactor use with ring tong lugs <sup>2</sup>	024-35433-000	9
36	Filter Power Module Kit	371-04165-001	13
*	Filter Power Unit Complete Kit (IGBT, Capacitors, Heatsink, etc.)	371-03788-401	*
37	Filter Pre-Charge Contactor	024-30985-000	9
38	Filter Pre-Charge Resistor	025-38197-000	9
39	Filter Trap Assembly	371-03788-349	10
64	Filter Trap Resistor Kit (Trap Resistors only)	371-02768-355	10
40	Input Current Transformer	531-01660-001	9
41	Line Isolator Board	031-02022-000	11
20	Power Module Chill Plate	071-02769-309	13
63	Silicon Pad (1 each) <sup>1</sup>	028-15299-000	13
42	16 Conductor Ribbon Cable - VSD Logic to Filter Logic Jumper	031-01658-000	5
<b>HARMONIC FILTER UPGRADE KITS (TO RETROFIT FILTER TO A NON-FILTER UNIT)</b>			
*	Filter Upgrade (60 Hz) 503 Hp	371-04167-001	
*	Filter Upgrade (50 Hz) 419 Hp	371-04167-002	

\* Items are **NOT** shown.

1-8 Important Changes refer to page 6.



LD09060

**FIGURE 13 - OPTI SPEED HARMONIC FILTER POWER UNIT DETAIL 419/503/608 HP**