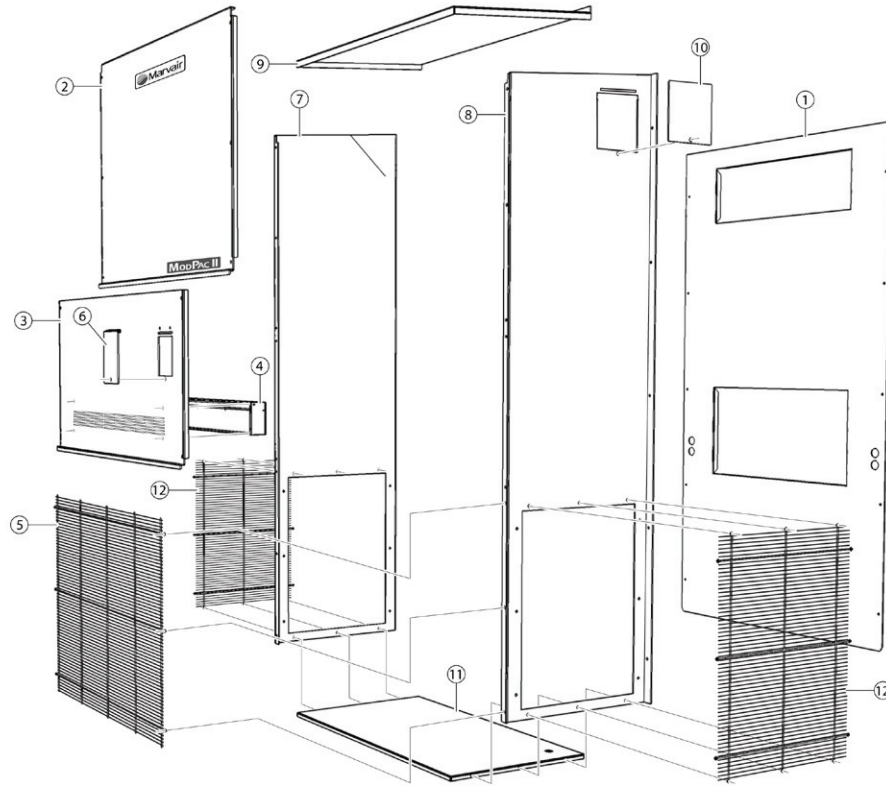
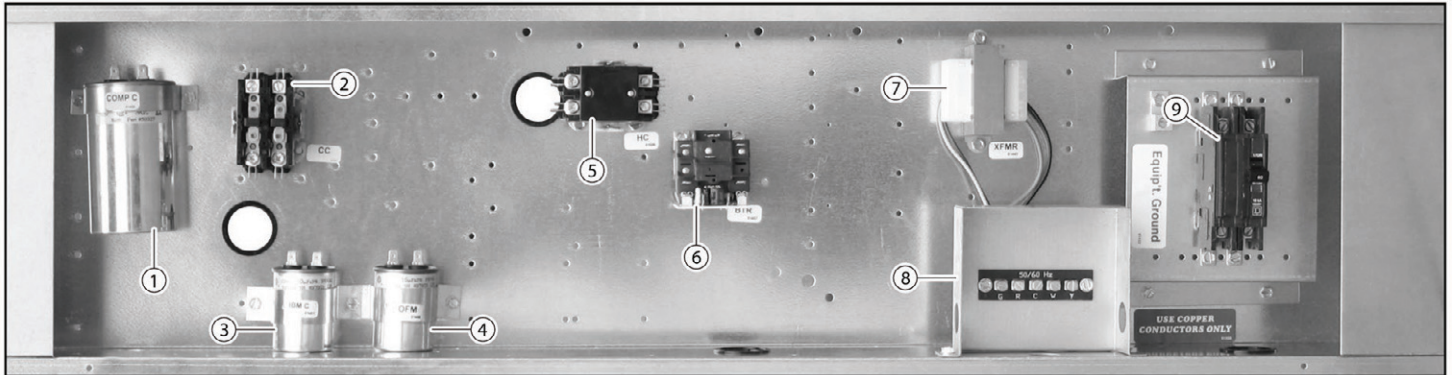


**MARVAIR® MODPAC™ AIR CONDITIONERS
MODELS AVP42-48-60 EXPLODED VIEW PARTS ID
EXTERIOR SHEET METAL (OUTER PANELS)**



No.	Description	Part Number		
		AVP42	AVP48	AVP60
1	Panel, Back (Galvanized)	M/04996-SP		
2	Door, Front Top	M/01294-XXSP		
3	Door, Front Bottom w/Slots (shown)	M/06745-XXSP		
	Door, Front Bottom w/Ext. Fresh Air Hood (not shown)	M/01295-XXSP		
4	Fresh Air Hood - Interior (shown)	06801-XXSP		
	Fresh Air Hood & Damper- Exterior (not shown)	02109-XXSP		
5	Guard, Condenser Coil	P/81397		
6	Door, Disconnect Access	M/01368-XXSP		
7	Panel, Left Side	M/01558-XXSP		
8	Panel, Right Side	M/01557-XXSP		
9	Panel, Top	M/01291-XXSP		
10	Door, Heater Access	M/01324-XXSP		
11	Base Pan	M/01680-XXSP		
12	Screen, Side	P/81396		
XX is for color. BG=Beige, GY=Gray, WH=White, BR=Brown, AF=Aluminum, SS=Stainless steel				

MARVAIR® MODPAC™ AIR CONDITIONERS
MODELS AVP42-48-60 EXPLODED VIEW PARTS ID
ELECTRICAL CONTROL BOX

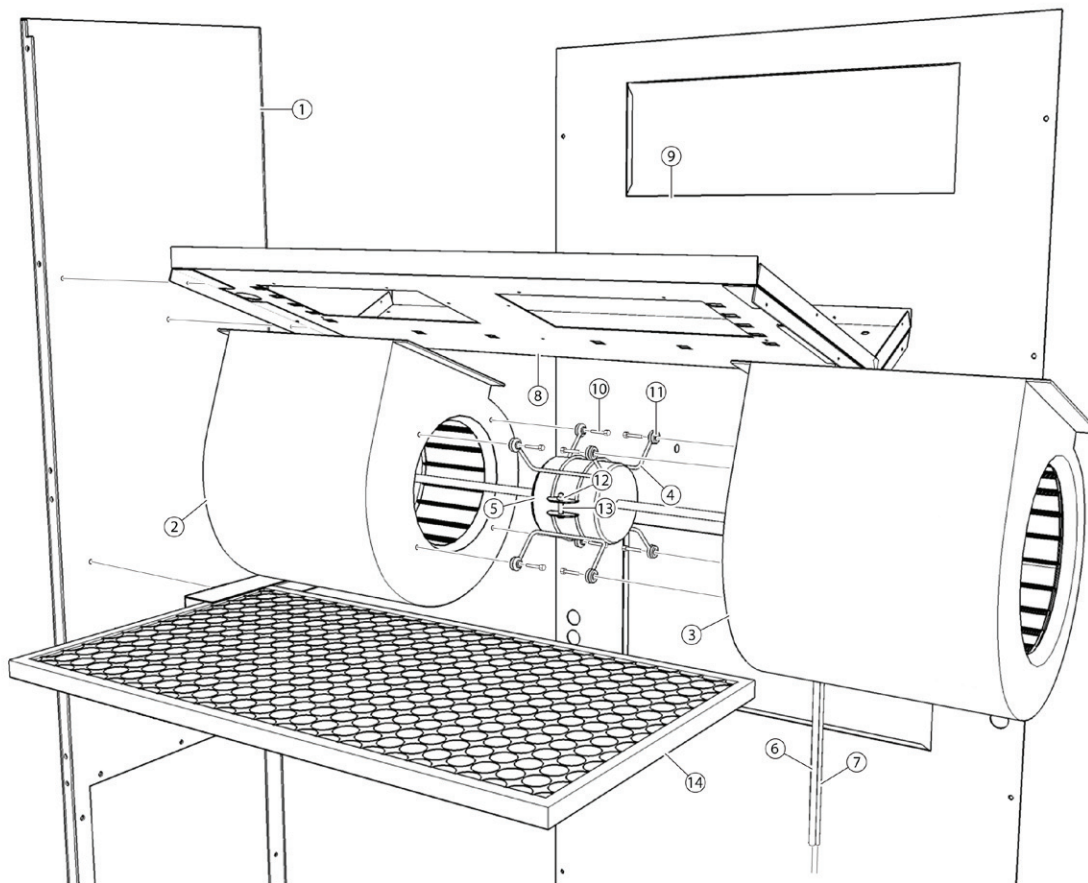


No.	Description	Part Number		
		AVP42	AVP48	AVP60
1	Compressor Capacitor 208/230 V. 1Ø for Copeland Scroll Compressors	50322	50294	50315 (2)
	Compressor Capacitor 208/230 V. 1Ø for Sanyo Compressors	N/A	N/A	50327
2	Compressor Contactor for all 1Ø Units	50020	50020	50030
	Compressor Contactor for all 3Ø Units		50040	
3	Indoor Blower Motor Capacitor (IBMC)		50360	
4	Outdoor Fan Motor Capacitor - Standard		50240	
5	Heat Contactor	See Electric Heater, Contactor & Thermal Limit Chart*		
6	Blower Time Relay		50419	
7	24 Volt Transformer (XFMR)		50141	
9	Disconnect 240 V. 1Ø & 220 V. 1Ø		70178	
	Disconnect 240 V. 3Ø & 220 V. 3Ø		70183	
	Disconnect 460 V. 3Ø (Cutler Hammer)		70299	
	Disconnect 460 V. 3Ø (Merlin Gerin p/n NENL34040)		70435	
*Electric Heater, Contactor & Thermal Limit Chart located on following page.				

MARVAIR® MODPAC™ AIR CONDITIONERS
MODELS AVP42-48-60 EXPLODED VIEW PARTS ID
ELECTRIC HEATER, HEATER CONTACTOR & THERMAL LIMITS

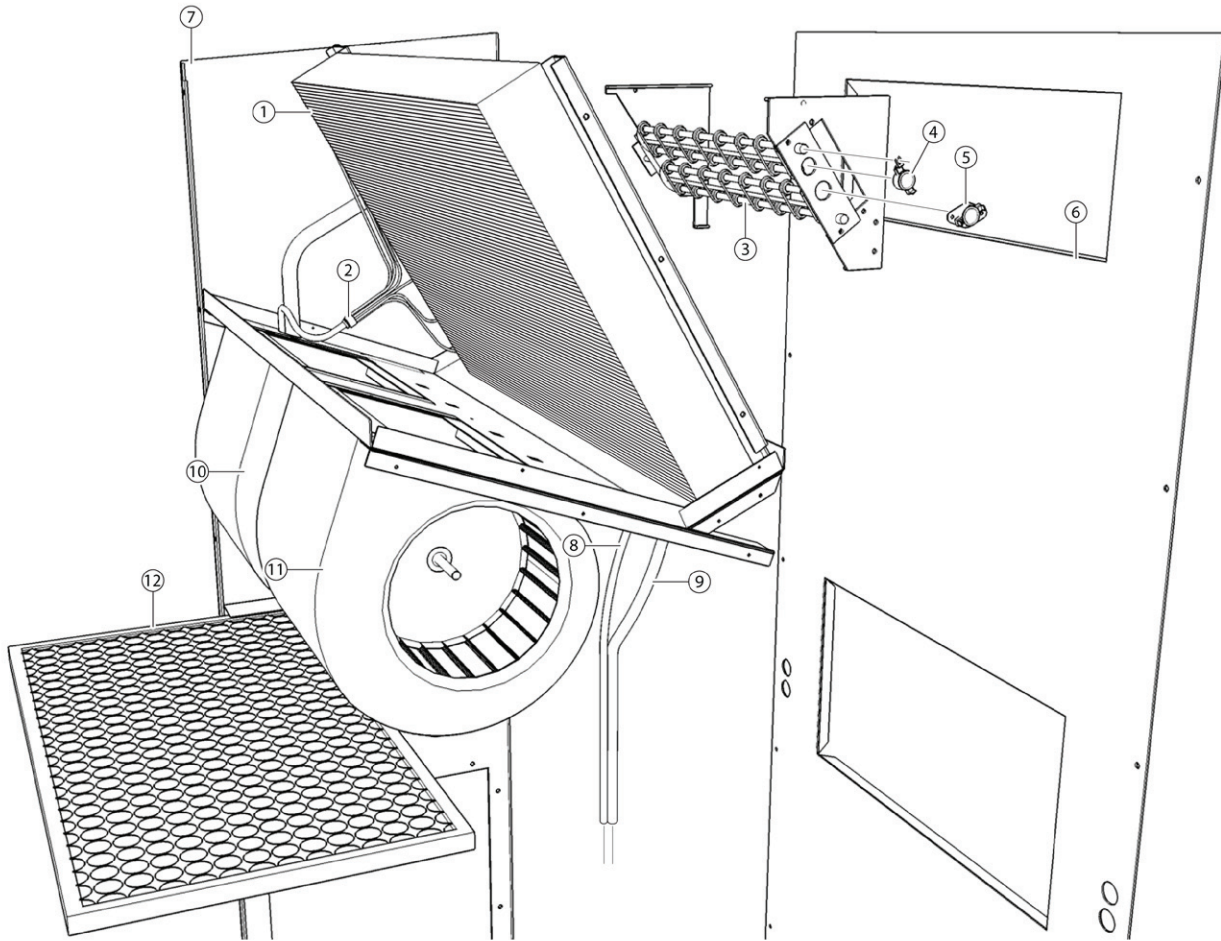
KW	Volts	Heater Element	Dual Limit Control		Single Function Limit Switch		Heater Contactor
		Part No.	QTY	Part No.	QTY	Part No.	Part No.
4	240	70413	1	70006	1	70005	50020
5	240	70412	1	70006	1	70005	50020
6	240	70444	3	70006	1	70005	50040
8	240	70414	2	70006	1	70005	50030
9	240	70445	3	70006	1	70005	50040
10	240	70411	2	70006	1	70005	50030
12	240	70446	3	70006	1	70005	50040
15	240	70410	3	70006	1	70005	50040
6	460	70440	3	70006	1	70005	50040
9	460	70441	3	70006	1	70005	50040
12	460	70442	3	70006	1	70005	50040
15	460	70443	3	70006	1	70005	50040

MARVAIR® MODPAC™ AIR CONDITIONERS
MODELS AVP42-48-60 EXPLODED VIEW PARTS ID
INDOOR BLOWER (BLOWER FILTER)



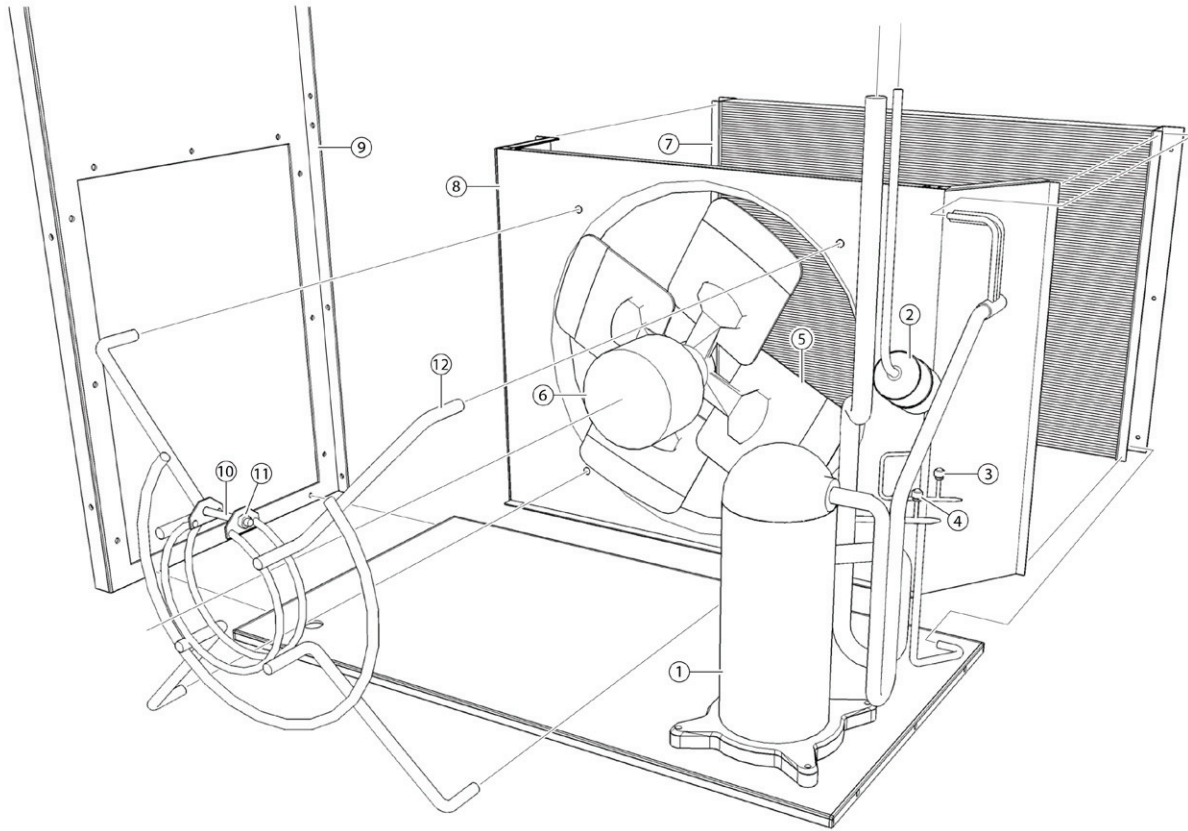
No.	Description	Part Number		
		AVP42	AVP48	AVP60
1	Left Side Panel	M/01558-XXSP		
2	Left Hand Blower Wheel and Housing	30090		
3	Right Hand Blower Wheel and Housing	30092		
4	Blower Motor Bracket	80428		
5	Indoor Blower Motor	40099	40099	40046
6	Condensate Tubing, Secondary	20180		
7	Condensate Tubing, Primary	20190		
8	Drain Pan	96060		
9	Back Panel (Galvanized)	M/04996-SP		
10	Bolt to Secure Blower Bracket to Housing	90736 - QTY of 6		
11	Grommet for Blower Bracket	80429 - QTY of 6		
12	Nut for Motor Bracket Clamp	90610		
13	Bolt for Motor Bracket Clamp	90550		
14	Filter, 1"	80139		
	Blower Assembly Includes Motor, Motor Bracket, Left Hand Blower Wheel and Housing and Right Hand Blower Wheel and Housing	S/03464SP	S/03464SP	S/03677SP

**MARVAIR® MODPAC™ AIR CONDITIONERS
 MODELS AVP42-48-60 EXPLODED VIEW PARTS ID
 INDOOR COIL, BLOWER & HEATER (INDOOR COIL BLOWER)**



No.	Description	Part Number		
		AVP42	AVP48	AVP60
1	Coil, Indoor	60360	60340	60340
2	Distributor, Indoor	N/A	N/A	20033
	Orifice (Cooling)	N/A	N/A	20078 (.088)
	Capillary Tube/Strainer Assembly	20318	20297	N/A
3	Heater	See Heater Chart		
4	Switch, Dual Function Thermal Cut-Out Switch	70006		
5	Switch, Single Function Thermal Cut-Out Switch	70005		
6	Panel, Back (Galvanized)	M/04996-SP		
7	Panel, Left	M/01558-XXSP		
8	Condensate Tubing, Primary	20190		
9	Condensate Tubing, Secondary	20180		
10	Left Hand Blower Wheel & Housing	30090		
11	Right Hand Blower Wheel & Housing	30092		
12	Filter, 1"	80139		

**MARVAIR® MODPAC™ AIR CONDITIONERS
MODELS AVP42-48-60 EXPLODED VIEW PARTS ID
COMPRESSOR & OUTDOOR COIL (OUTDOOR COIL)**



No.	Description	Part Number		
		AVP42	AVP48	AVP60
1	Compressor (Copeland), 208-230v. 1ø, 60 Hz	10052	10202	10096
	Compressor (Sanyo), 208-230v. 1ø, 60 Hz	N/A	N/A	10348
	Compressor, 208-230v. 3ø, 60 Hz	10093	10203	10097
	Compressor, 460v. 3ø, 60 Hz	10094	10204	10098
2	Filter Drier	70370	70389	70389
3	High Pressure Refrigerant Access Valve	20237		
4	Low Pressure Refrigerant Access Valve	20237		
5	Fan Blade	30135		
6	Motor, Outdoor Fan - Standard	40098		
7	Condenser Coil	60350	60345	60345
8	Outdoor Fan Venturi Panel (Galvanized)	01812-SP		
9	Panel, Right Side	M/01557-XXSP		
10	Bolt, Outdoor Motor Bracket	90550		
11	Nut, Outdoor Motor Bracket	90610		
12	Bracket, Outdoor Fan Motor	80426		
	†Transformer, 460v. to 230v. Only on 460v. Models.	50147	50147	P/50007
†Not Shown				