

Safgard™

EZ Plug Wire Harnesses

MODEL 45-348

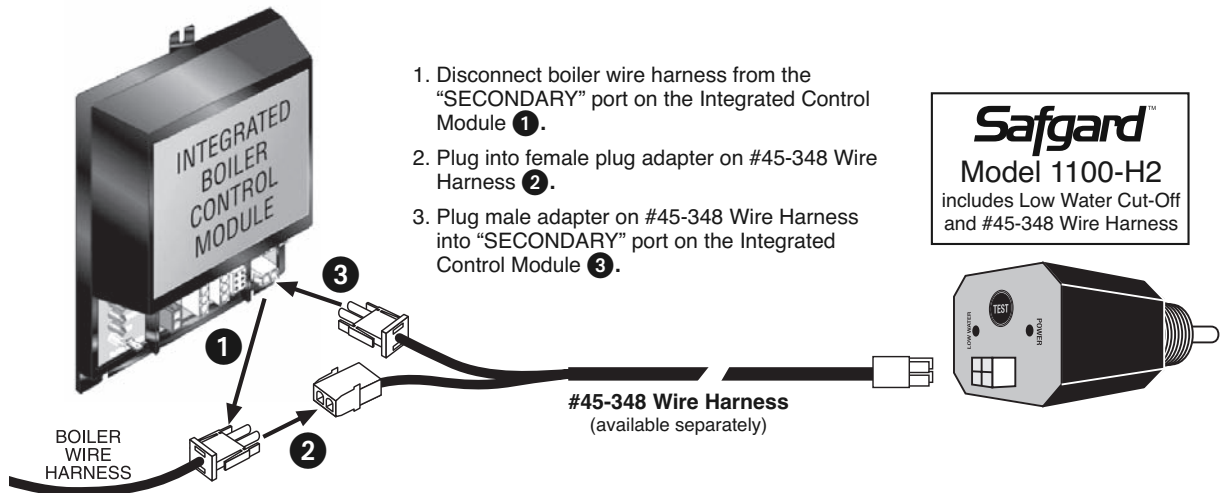
MODEL 45-349

MODEL 45-350

Wire harnesses on this sheet are available separately or can be ordered with the Safgard Model 1100 low water cut-off. See each listing below.

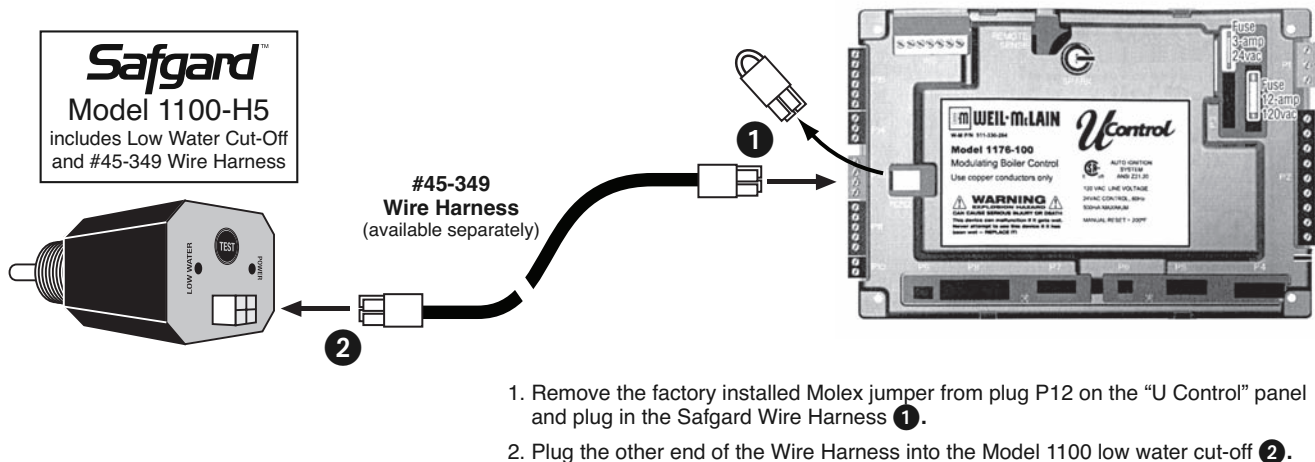
#45-348 Wire Harness

For use with Safgard Model 1100 Low Water Cut-Off on boilers equipped with United Technologies Integrated Boiler Control Module



#45-349 Wire Harness

For use with Safgard Model 1100 Low Water Cut-Off on boilers equipped with Weil McLain "U Control"

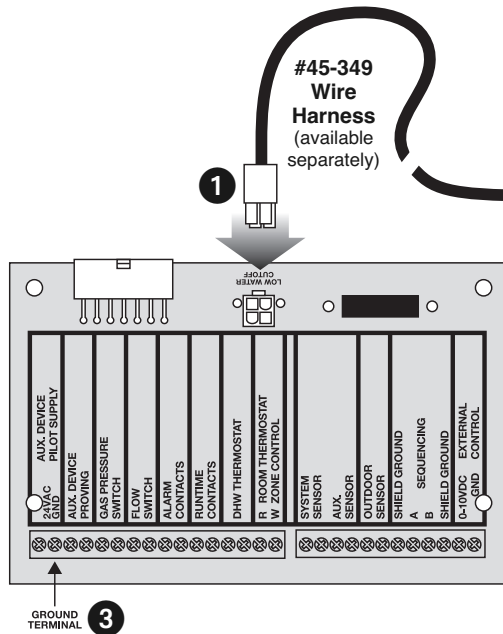


**HYDROLEVEL
COMPANY**

83 Water Street • New Haven, CT 06511 • Phone: (203) 776-0473 • FAX: (203) 773-1019 • www.hydrolevel.com

#45-349 Wire Harness

For use with Safgard Model 1100 Low Water Cut-Off on Lochinvar Knight and Solution Boilers



#45-349 Wire Harness (available separately)

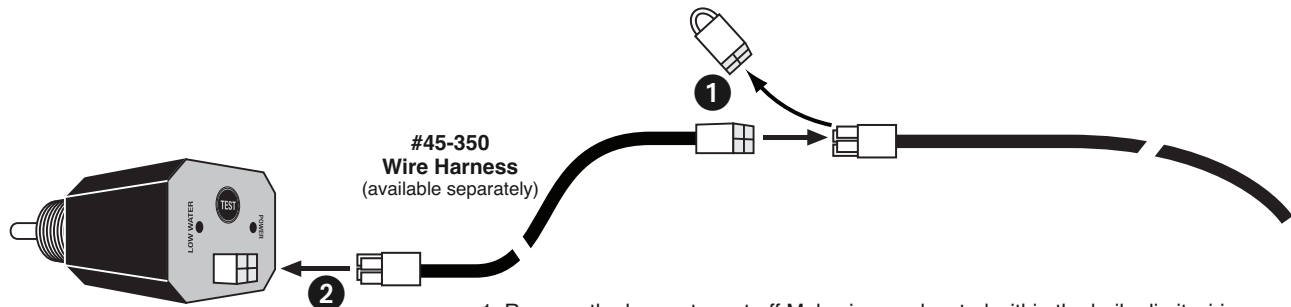


1. Remove the LOW WATER CUT-OFF Molex jumper located on the Lochinvar low voltage wiring panel and plug in the Safgard Wire Harness **1**.
2. Plug the other end of the Wire Harness into the Model 1100 low water cut-off **2**.

NOTE: On Lochinvar boilers manufactured before 2007, it may be necessary to ground the Lochinvar low voltage wiring panel for proper operation of the low water cut-off. To do this, connect a wire from the GND terminal **3** on the wiring panel to the green ground screw in the low voltage junction box.

#45-350 Wire Harness

For use with Safgard Model 1100 Low Water Cut-Off on boilers equipped with LWCO Molex – Burnham Model SCG, PVG and Alpine (refer to Burnham installation instructions for exact location of jumper)



1. Remove the low water cut-off Molex jumper located within the boiler limit wiring and plug in the Safgard Wire Harness **1**.
2. Plug the other end of the Wire Harness into the Model 1100 low water cut-off **2**.

LIMITED MANUFACTURER'S WARRANTY

We warrant products manufactured by Hydrolevel Company to be free from defects in material and workmanship for a period of two years from the date of manufacture or one year from the date of installation, whichever occurs first. In the event of any claim under this warranty or otherwise with respect to our products which is made within such period, we will, at our option, repair or replace such products or refund the purchase price paid to us by you for such products. In no event shall Hydrolevel Company be liable for any other loss or damage, whether direct, indirect, incidental or consequential. This warranty is your EXCLUSIVE remedy and shall be IN PLACE OF any other warranty or guarantee, express or implied, including, without limitation, any warranty of MERCHANTABILITY or fitness for a particular purpose. This warranty may not be assigned or transferred and any unauthorized transfer or assignment thereof shall be void and of no force or effect.